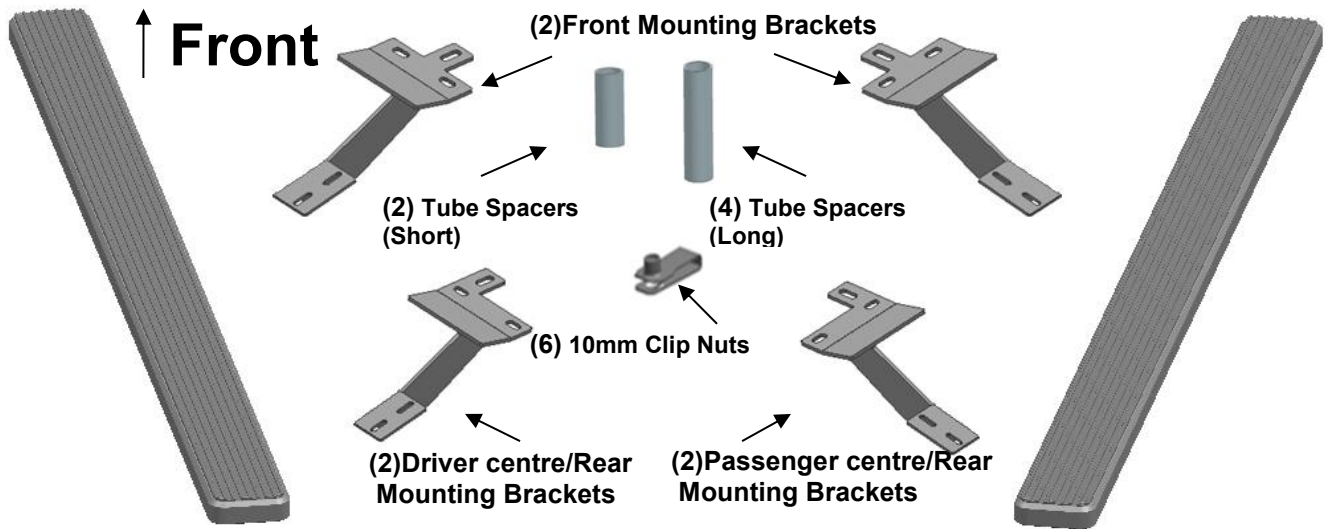


**PARTS LIST:**

Item	QTY	Description	Item	QTY	Description
#1	2	Running Board(use for left or right)	#9	12	10-1.50mm x 30mm Hex Head Bolts
#2	2	Front Mounting Brackets (use for left or right)	#10	30	10mm Flat Washers
#3	2	Driver/Left center/Rear Mounting Brackets (DCM/DRM)	#11	18	10mm Lock Washers
#4	2	Passenger/Right center/Rear Mounting Brackets (PCM/PRM)	#12	6	10-1.50mm Clip Nuts
#5	4	Tube Spacers( long)	#13	12	10mm Hex Nuts
#6	2	Tube Spacers(short)	#14	12	6mm T-Bolts
#7	4	10-1.50mm x 120mm Hex Head Bolts	#15	12	6mm Flat Washers
#8	2	10-1.50mm x 100mm Hex Head Bolts	#16	12	6mm Lock Nuts



**PROCEDURE:**

- 1. REMOVE CONTENTS FROM BOX. VERIFY ALL PARTS ARE PRESENT. READ INSTRUCTIONS CAREFULLY BEFORE STARTING INSTALLATION.**
- From underside of vehicle, locate the two front factory holes on the driver side floor panel located by the front tire. With the threaded nut facing up, insert (1) 10mm Clip Nut through larger hole. Orient Clip Nut to engage in the smaller hole (**Figure 1**).
- Partially hang a front Mounting Bracket to pinch weld using (2) 10mm x 30mm Hex Head Bolts, (2) 10mm Hex Nuts, (2) 10mm Lock Washers, and (4) 10mm Flat Washers (**Figure 3**).
- Place (1) short Tube Spacer between the tab on the Mounting Bracket and the already installed Clip Nut. Insert (1) 10mm x 100mm Hex Head Bolt through tab on the Mounting Bracket and Tube Spacer and to Clip Nut (**Figure 4**). Do not tighten at this time.
- Repeat **Steps 2 – 4** for driver center and driver rear Mounting Brackets. Depending upon your vehicle, the center factory hole might be too small for the Clip Nut, file the Clip Nut until you are able to mount it.  
**NOTE:** You will be using a long Tube Spacers with 10mm x 120mm Hex Head Bolts on the center and rear Mounting Brackets.  
**IMPORTANT!** Install the rear Mounting Brackets depending upon your vehicle.  
**07-08 Explorer Sport Trac:** You will need to swap the rear Mounting Brackets. The passenger rear Mounting Bracket will mount on the driver rear, and the driver rear Mounting Bracket will mount on the passenger rear. The front and center cradles on both sides should be facing the rear of the vehicle and the rear cradles on both sides should be facing the front of the vehicle. Rear Mounting Brackets will mount with (1) 10mm x 30mm Hex Head Bolt (**Figure 4**).
- Once all three Mounting Brackets are partially mounted, Select a Running Board. Slip(6) 6mm T-bolts into each bottom channel(**Figure 5**). Carefully position the Running Board onto the (3) Mounting Brackets. **IMPORTANT:** Do not slide, (front to back), the Running Board on the Brackets or damage

to the finish may result. Attach the Running Board to the Mounting Brackets with (2) 6mm T-bolts, (2) 6mm flat washers and (2) 6mm lock nuts (**Figures 6**). Do not tighten at this time.

7. Level and adjust Running Board properly and tighten all hardware.
8. Repeat Steps 2—7 for passenger/right Running Board installation.
9. Do periodic inspections to the installation to make sure that all hardware is secure and tight.

**To protect your investment**, wax this product after installing. Regular waxing is recommended to add a protective layer over the finish. Do not use any type of polish or wax that may contain abrasives that could damage the finish.

**For Polished Finishes:** Aluminum polish may be used to polish small scratches and scuffs on the finish. Mild soap may be used also to clean the Running Board.

**For Black Finishes:** Mild soap may be used to clean the Running Board.



Figure 1

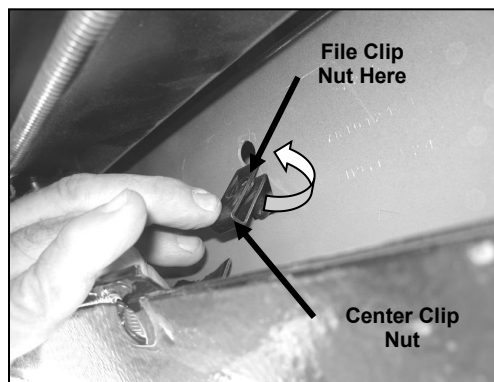
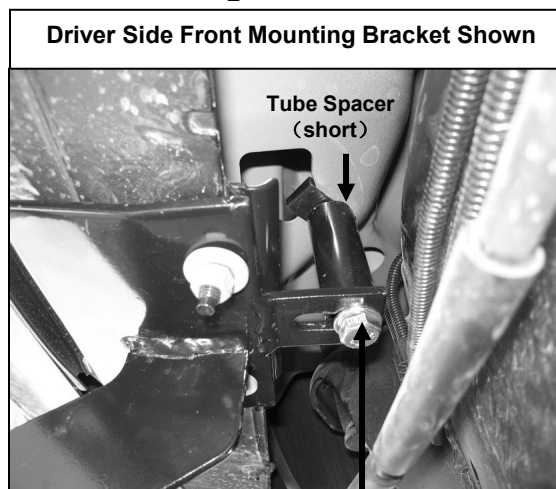


Figure 2



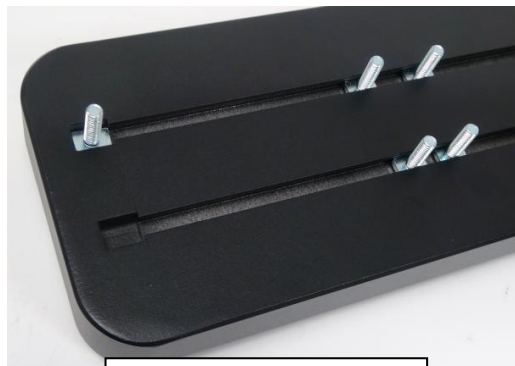
- 10mm x 30mm Hex Head Bolts
- 10mm Flat Washers
- 10mm Lock Washers
- 10mm Hex Nuts

Figure 3

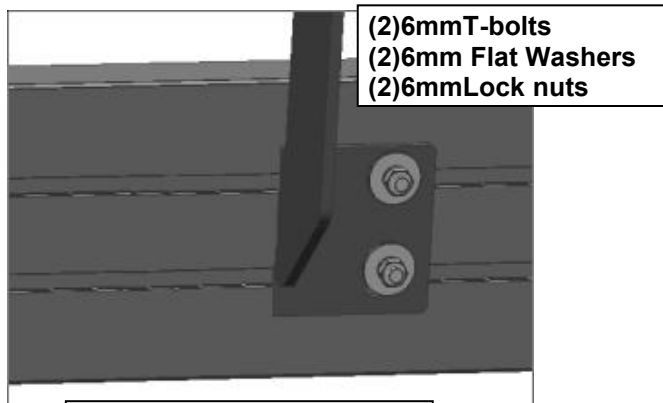


- (10mm Clip Nut)
- 10mm x 100mm Hex Head Bolt
- 10mm Lock Washer
- 10mm Flat Washer

Figure 4



(Fig 5) Slip 6mm T-bolts into the bottom channel



(Fig 6) Running Board Installation