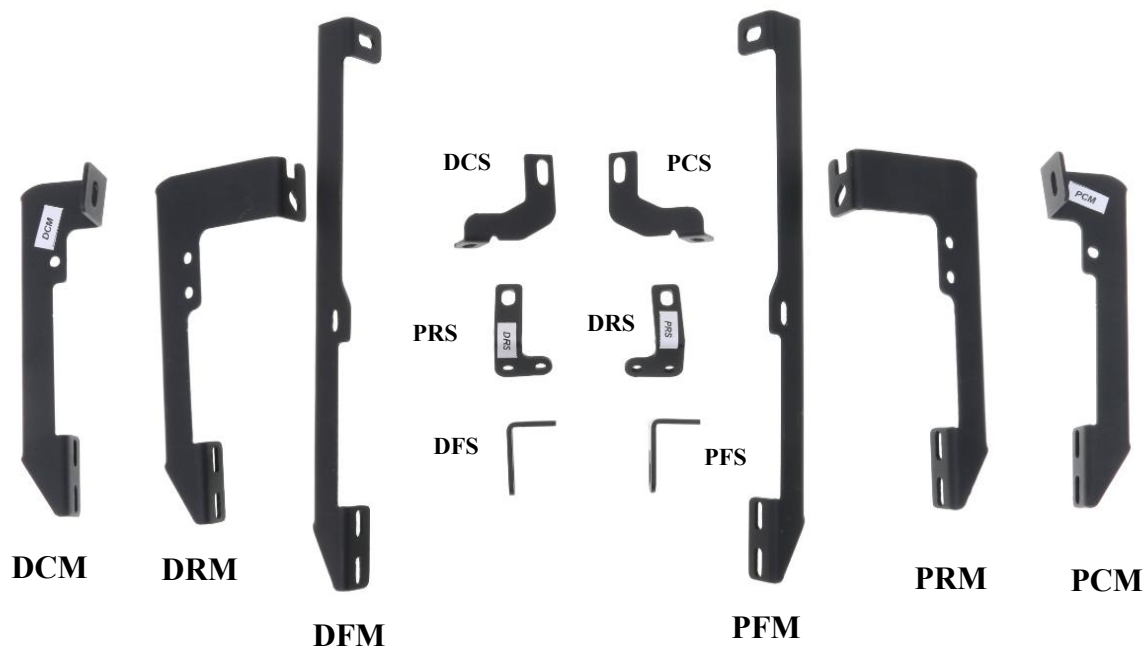


PARTS LIST:

Item	QTY	Description	Item	QTY	Description
#01	1	Drive Side Bar	#17	4	10-1.50mmx30 Bent Bolt Plate
#02	1	Passenger Side Bar	#18	2	8-1.55mmx35 Bent Bolt Plate
#03	1	Driver Front Mounting Bracket (DFM)	#19	2	10-1.50mmx35 Bent Bolt Plate(Long A)
#04	1	Passenger Front Mounting Bracket (PFM)	#20	2	10-1.50mmx35 Bent Bolt Plate
#05	1	Driver Center Mounting Bracket (DCM)	#21	2	M8 Threaded Insert
#06	1	Passenger Center Mounting Bracket (DCM)	#22	2	M8 Plastic Retainers
#07	1	Driver Rear Mounting Bracket (DRM)	#23	18	M8 Flat Washers
#08	1	Passenger Rear Mounting Bracket (RR)	#24	10	M8 Hex Nut
#09	1	Driver Front Support Bracket (DFS)	#25	11	M8-1.25x30 mm Hex Bolt
#10	1	Passenger Front Support Bracket (PFS)	#26	10	M10 Nylon Lock Nuts
#11	1	Driver Center Support Bracket (DCS)	#27	10	M8 Lock Washer
#12	1	Passenger Centre Support Bracket (PCS)	#28	10	M10 Flat Washers
#13	1	Driver Rear Support Bracket (DRS)	#29	12	M6 Square Hex Bolt
#14	1	Passenger Rear Support Bracket (PRS)	#30	12	M6 Nylon Lock Nuts
#15	1	M8 Insert Installation Tool	#31	12	M6 Flat Washers
#16	2	10-1.50mmx25 Bent Bolt Plate(Short)			



INSTALLATION INSTRUCTION:

REMOVE CONTENTS FROM BOX. VERIFY ALL PARTS ARE PRESENT. READ INSTRUCTIONS CAREFULLY BEFORE STARTING INSTALLATION. USE ILLUSTRATION TO PORPERLY IDENTIFY BARCKETS AND SIDEBRS.

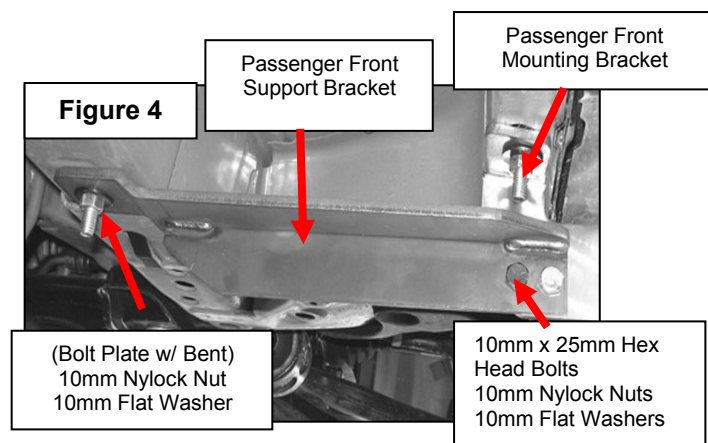
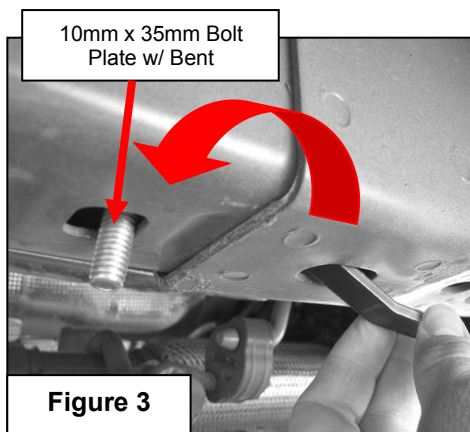
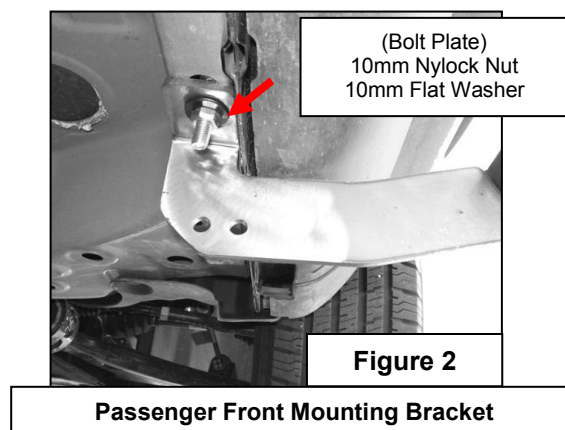
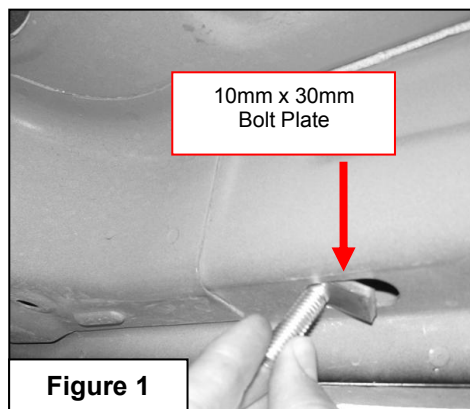
1. From underside of vehicle, insert (1) 10mmx30mm Bolt Plate into factory front hole on the passenger side panel, **(Figure 1)**.
2. Determine passenger and driver side front Mounting Brackets. Hang passenger side front Mounting Bracket through Bolt Plate and into position by partially thread (1) 10mm Nylon Nut and (1) 10mm Flat Washer into previously inserted Bolt Plate, **(Figure 2)**. Do not tighten at this time.
3. Insert (1) 10mmx35mm long Bolt Plate into factory hole on the frame. **(Figure 3)**.
4. Locate passenger side front Support Bracket. Partially hang passenger Support Bracket through previously inserted Long Bolt Plate and into position by threading (1) 10mm Nylon Nut and (1) 10mm Flat Washer **(Figure 4)**. Do not tighten at this time.

5. Attach opposite side of passenger Support Bracket to Mounting Bracket by using the included (2) 10mmx25mm Hex Head Bolts (2) 10mm Nylon Nuts, and (4) 10mm Flat Washers (**Figure 4**). Do not tighten at this time.
6. The passenger rear Mounting Bracket mounts with two Bolt Plates. Insert (1) 10mmx25mm Short Bolt Plate into the two factory holes on the cross member (**Figure 5**). Insert (1) 10mmx30mm Straight Bolt Plate into lower factory hole on the side panel (**Figure 6**). Do not tighten at this time.
7. Determine passenger and driver side rear Mounting Bracket. Position Mounting Bracket through both previously inserted Bolt Plates and partially thread (1) 10mm Nylon Nut and (1) 10mm Flat Washer to secure Mounting Bracket (**Figure 7**). Important: Due to inconsistencies in vehicle manufacture, rear bracket may fit snug with little clearance for adjustment. It is important to slowly tighten each of the two mounting nuts a few turns at a time to pull bracket down evenly. Do not completely tighten at this time.
8. Locate the passenger/right sidebar and carefully place it onto previously installed Mounting Brackets. **Note:** Do not slide sidebar back and forth on the Mounting Brackets; this may damage the finish on the sidebar.
9. Align holes on the side bar with holes on the Mounting Brackets, Attach iboard to Mounting Brackets with the included (2) M6 Square Hex Bolt, (2) M6 Flat Washers, and (2) M6 Nylon Lock Nuts (**Figure 8**). Do not tighten at this time.
10. Level and adjust the Side bar properly, and then tighten all hardware at this time.
11. Repeat **steps 2-11** for passenger Sidebar installation.
12. Do periodic inspections of the installation to make sure that all hardware is secure and tight.

To protect your investment, wax this product after installing. Regular waxing is recommended to add a protective layer over the finish. Do not use any type of polish or wax that may contain abrasives that could damage the finish.

For Polished Finishes: Aluminum polish may be used to polish small scratches and scuffs on the finish. Mild soap may be used also to clean the Running Board.

For black finishes: Mild soap may be used to clean the Running Board.



IB(5",4)) RUNNING BOARD
07-14 Ford Edge (Excl. Sport and Ecoboost equipped models)

