

iRunning Board Installation Instruction

Application: 2004-2010 Dodge Durango
2006-2009 Dodge Aspen

Item	Part Name	QTY	Item	Part Name	QTY
1	Running Board (Driver+Passenger)	2	7	10-1.5mm Flange Nuts	6
2	Mounting Bracket	6	8	10mm rivnut	6
3	10mm x 35mm Button Head Bolt Plates	6	9	M6 Square Head Bolt	12
4	10mm x 25mm Hex Bolts	6	10	M6 Flat Washers	12
5	11mm x 20mm x 2mm Flat Washers	12	11	M6 Nylon Lock Nuts	12
6	10mm Lock Washers	12			



Mounting Bracket

NOTE: All Brackets are universal and will fit both side of the vehicle!

Step	Description
1	Verify all parts are present. Read instructions completely before beginning.
2	Insert hex rivnuts as shown . SEE FIG 2
3	Separate trim from rocker panel and insert bolt plates as shown. Leave loose. SEE FIG 1,2.
4	Loosely attach brackets as shown. SEE FIG 3 . Tighten top bolt to crimp rivnut until increased resistance is felt. Verify rivnut is not loose in hole, otherwise re-tighten. Hole bolt plate parallel to rocker panel and tighten bottom nut. Re-attach trim panel as shown. SEE FIG 4
5	Insert square head bolts as shown (3 per slot,6 per board). SEE FIG 5.
7	Attach board to brackets as shown . Make sure board and brackets are properly aligned and tighten fasteners. Recommended torque values are 10 FT.LBS .for M6 square head fasteners and 23 FT.LBS. For 6mm fasteners. SEE FIG 6
9	INSTALLATION IS COMPLETE.

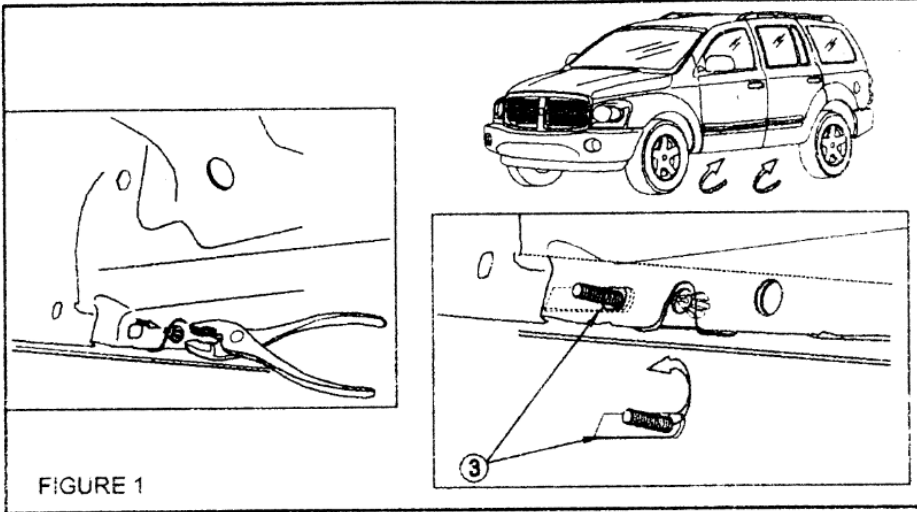
FINISH PROTECTION

Products have a high quality finish that must be cared for like any other exposed finish on the vehicle. Protect the finish with a non-abrasive automotive wax, (e.g.Pure Carnauba) on a regular basis. The use of any soap, polish or wax that contains an abrasive is detrimental, as the compounds scratch the finish and open it to corrosion.

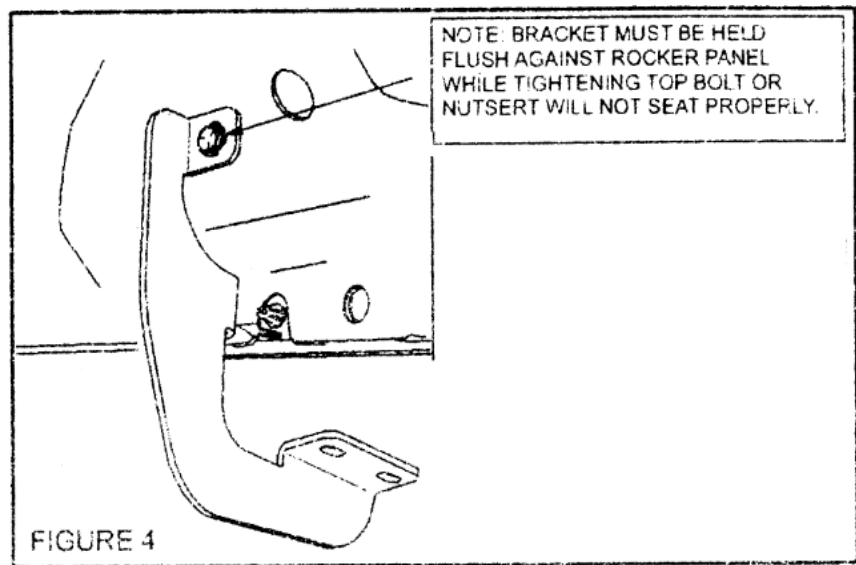
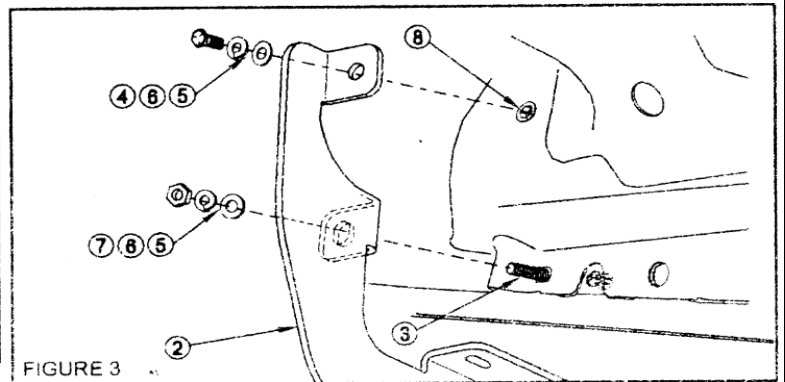
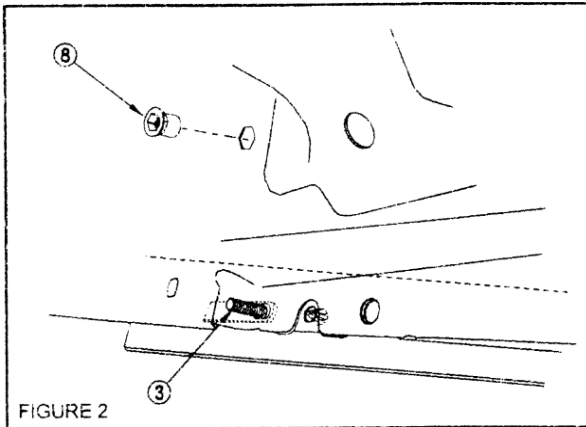
The instruction here is for your reference only. We strongly recommend the professional installer for best result. We are not responsible for any damage caused by the installation. Thank you for choosing our product!

iRunning Board Installation Instruction

Application: 2004-2010 Dodge Durango
2006-2009 Dodge Aspen



***Pictures are for reference only,
actual bars may be a little different.**



The instruction here is for your reference only. We strongly recommend the professional installer for best result. We are not responsible for any damage caused by the installation. Thank you for choosing our product!

iRunning Board Installation Instruction

Application: 2004-2010 Dodge Durango
2006-2009 Dodge Aspen

SQUARE HEAD BOLT

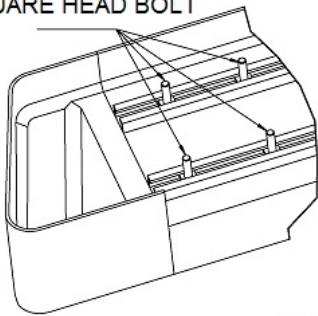


FIGURE 5

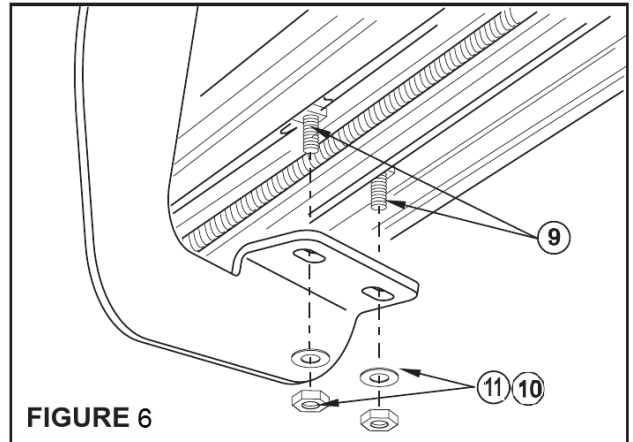


FIGURE 6



***Pictures are for reference only, actual bars may be a little different.**

The instruction here is for your reference only. We strongly recommend the professional installer for best result. We are not responsible for any damage caused by the installation. Thank you for choosing our product!