

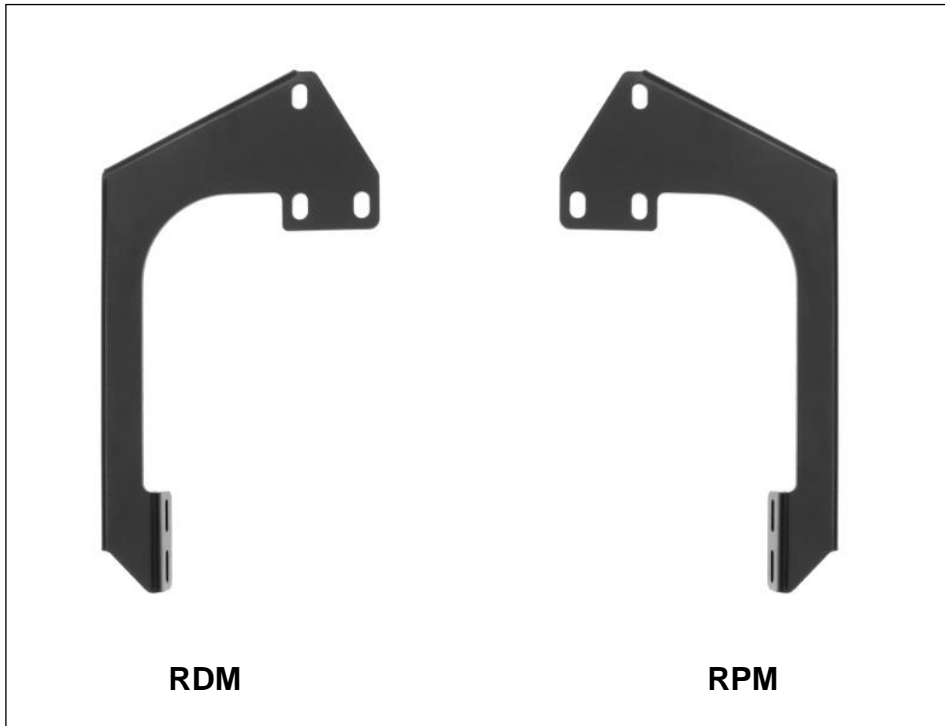


IB(6",5",4")REAR STEP

For 2007-2009 DODGE SPRINTER/2007-2009 FREIGHTLINER SPRINTER/2010-2017 MERCEDES-BENZ SPRINTER
(FULL SIZE, W/Wheel Base170") (Excl. Passenger Van With Rear A/C)
Rev:20181101

PARTS LIST:

Item	QTY	Description	Item	QTY	Description
#01	1	Rear Step	#06	6	M12-1.75 Nylon Lock Nut
#02	1	Driver/left Frame Mounting Bracket(RDM)	#07	4	M6X1.0 Nylon Lock Nuts
#03	1	Passenger/right Frame Mounting Bracket(RPM)	#08	4	M6X1.0 - 20mm T-Bolts
#04	6	M12X1.75 - 110mm Hex Bolt	#09	4	M6 Flat Washers
#05	12	M12 Flat Washer			



PROCEDURE:

REMOVE CONTENTS FROM BOX. VERIFY ALL PARTS ARE PRESENT. READ INSTRUCTIONS CAREFULLY BEFORE STARTING INSTALLATION. ASSISTANCE IS RECOMMENDED. LET EXHAUST COOL COMPLETELY BEFORE INSTALLATION.

1. Start the installation under the driver side, rear of the vehicle, **(Figure 1)**. Determine the correct installation for your model.

Models without factory receiver hitch:

- a. Locate the (4) factory holes in the end of the driver side frame channel, **(Figure 1)**. Select the driver side Frame Bracket, **(Figure 2)**. **IMPORTANT:** On models without receiver hitch, install the Bracket on the inside of the frame channel, **(Figure 1)**.
- a. Attach the Frame Bracket to the inside of the frame with the included (3) M12 x 110mm Hex Bolts, (6) M12 Flat Washers and (3) M12 Nylon Lock nuts. Do not fully tighten hardware, **(Figure 2)**.

Models with factory receiver hitch:

- b. Locate the (4) factory hex bolts attaching the receiver hitch to the inside of the driver side frame channel, **(Figure 3)**. Select the passenger side Frame Bracket, **(Figure 4)**. **IMPORTANT:** On models with receiver hitch, the Brackets will be flipped side to side so the passenger side Bracket will be installed on the outside of the driver side frame channel to clear the hitch, **(Figure 4)**.

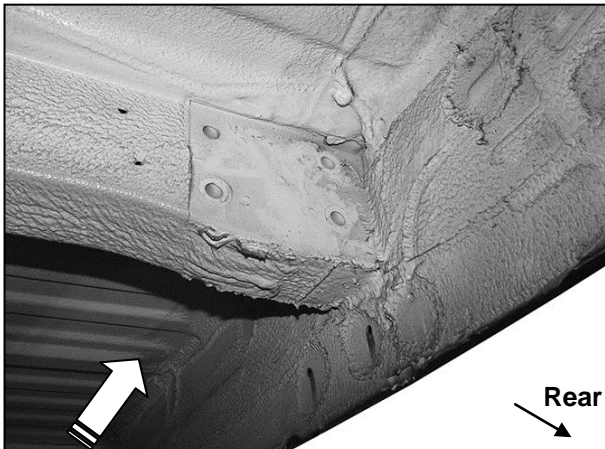
- b. Hold the Bracket up in place on the outside of the frame channel to determine which (3) hex bolts to remove. Remove the necessary (3) hex bolts only.
 - c. Attach the Frame Bracket to the outside of the frame with the included longer (3) M12 x 110mm Hex Bolts, (6) M12 Flat Washers and (3) M12 Nylon Lock nuts, (**Figure 5**). Do not fully tighten hardware at this time.
2. Repeat the above Steps to install the passenger side Frame Bracket.
 3. Select the Rear Step. Slip (2)M6 T-bolts into each bottom channel (**Figure 6**). Carefully position the Rear Step onto the (1) Mounting Brackets. **IMPORTANT:** Do not slide, (front to back), the Rear Step on the Brackets or damage to the finish may result. Attach the Rear Step to Mounting Brackets with (2) M6 T-bolts, (2)M6 flat washers and (2)M6 nylon lock nuts (**Figure 7**). Do not tighten at this time.
 4. Align and adjust the Rear Step as necessary and fully tighten all hardware. **NOTE: Torque all M6 nylon lock nuts to 7 lb-ft.**
 5. Do periodic inspections of the installation to make sure that all hardware is secure and tight.

To protect your investment, wax this product after installing. Regular waxing is recommended to add a protective layer over the finish. Do not use any type of polish or wax that may contain abrasives that could damage the finish.

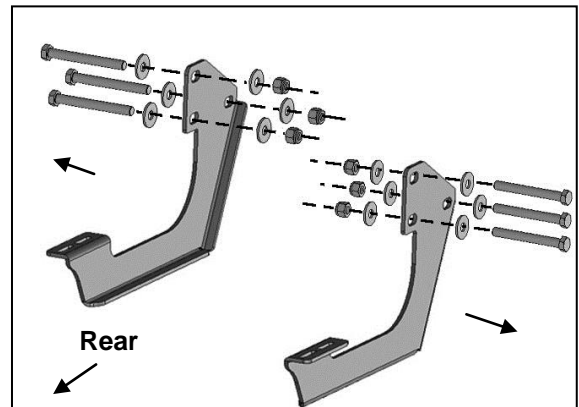
For Polished Finishes: Aluminum polish may be used to polish small scratches and scuffs on the finish. Mild soap may be used also to clean the Rear Step.

For Black Finishes: Mild soap may be used to clean the Rear Step.

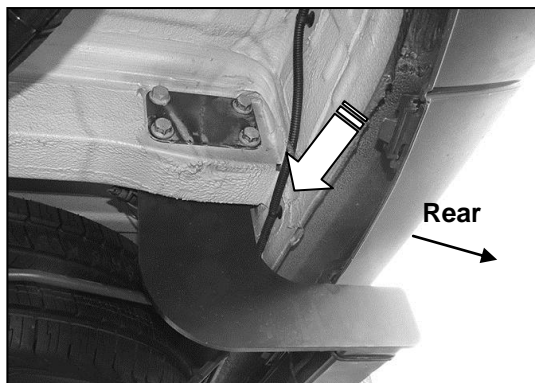
Driver/left Side Installation Pictured



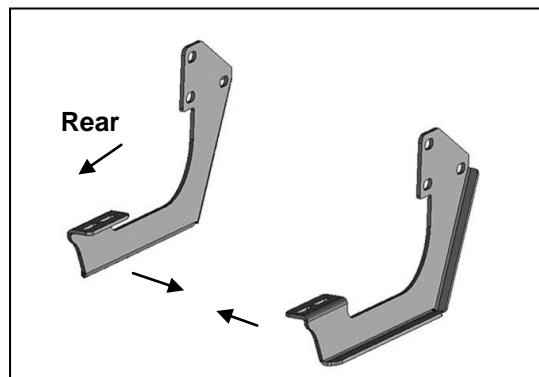
(Fig 1) Driver side mounting location w-o hitch. Attach Brackets to inside/back of frame channel



(Fig 2) Frame Brackets for models w-o hitch

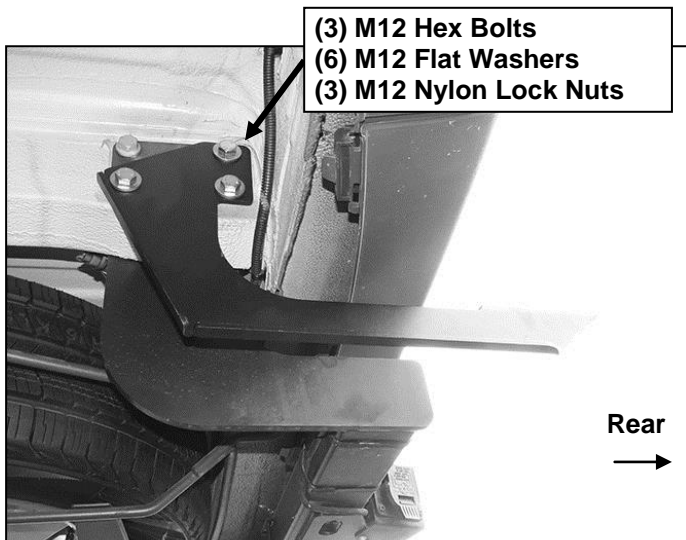


(Fig 3) Driver side mounting location with hitch

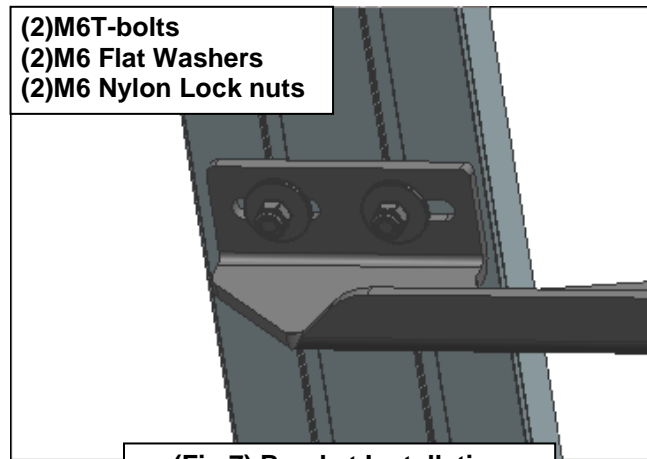


(Fig 4) Flip Frame Brackets left to right for models with receiver hitch. Attach Brackets to outside of frame channel

Driver/left Side Installation Pictured



(Fig 5) Passenger side Bracket installed on outside of driver side frame channel (models with hitch only)



(Fig 7) Bracket Installation