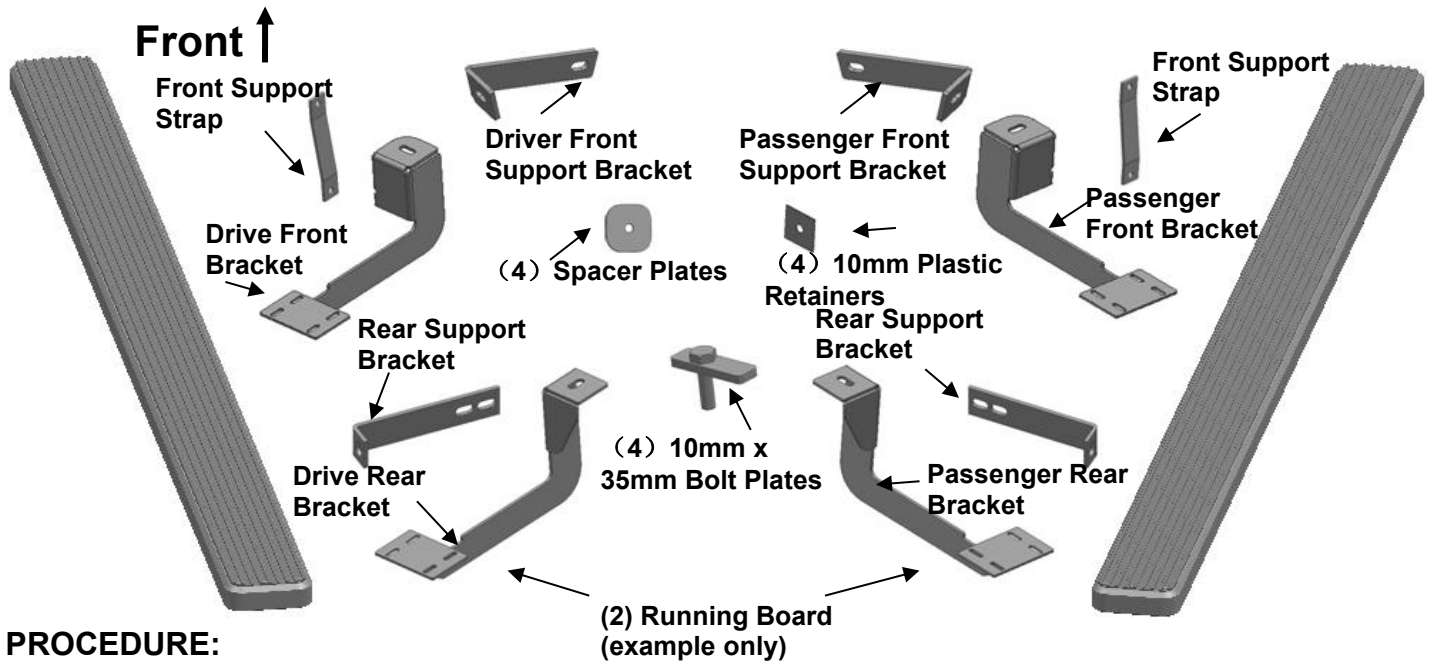


PARTS LIST:

Item	QTY	Description	Item	QTY	Description
#01	2	Running Board(use for left or right)	#13	4	12-1.75mm x 120mm Hex Bolts
#02	1	Drive Front Mounting Bracket	#14	2	12-1.75mm x 40mm Hex Bolts
#03	1	Drive Rear Mounting Bracket	#15	8	12mm Flat Washers
#04	1	Passenger Front Mounting Bracket	#16	6	12mm Lock Washers
#05	1	Passenger Rear Mounting Bracket	#17	2	12mm Hex Nuts
#06	2	Front Support Straps (02-05) W/2 Holes	#18	4	10-1.5mm x 30mm Hex Bolts
#07	1	Driver/Left Front Support Bracket (06-08) with angled bend on end	#19	12	10mm Flat Washers
#08	1	Passenger/Right Front Support Bracket (06-08) with angled bend on end	#20	8	10mm Lock Washers
#09	2	Rear Support Brackets w/90-degree bend on end (not used on regular cab models)	#21	8	10mm Hex Nuts
#10	4	10mm x 35mm Bolt Plates	#22	16	6mm Nylon Lock Nuts
#11	4	Spacer Plates	#23	16	6-1.0mm x 20mm T-Bolts
#12	4	10mm Plastic Retainers	#24	16	6mm x 22mm OD x 2mm Flat Washers



PROCEDURE:

1. REMOVE CONTENTS FROM BOX. VERIFY ALL PARTS ARE PRESENT. READ INSTRUCTIONS CAREFULLY BEFORE STARTING INSTALLATION. DRILLING MAY BE REQUIRED.
2. From underside the driver side front of the vehicle, remove the factory body mount bolt. Remove but do not discard the rubber bushing. Install (1) 12-1.75mm x 120mm Hex Bolt with (1) 12mm Flat Washer and (1) 12mm Lock Washer through the Driver Side Front Mounting Bracket. Position (1) Spacer Plate between the Mounting Bracket and the factory rubber bushing, (**Figure 4**). Slide the complete assembly up into position under the cab mounting bracket and thread the 12mm Hex Bolt into the factory mounting hole. Snug but do not tighten at this time.
3. Next select the correct Front Support Bracket for your application.

2002-2005 Models.

Select the straight 2-hole Support Bracket. Attach one end to the side of the Front Mounting Bracket with (1) 10mm x 30mm Hex Bolt, (2) 10mm Flat Washers, (1) 10mm Lock Washer and (1) 10mm Hex Nut. Rotate the Support Bracket up to meet the factory body mount bracket and line up the hole in the body mount bracket with the Support Bracket, **(Figure 1)**. Bolt the Support Bracket to the body mount bracket with (1) 12mm x 40mm Hex Bolt, (2) 12mm Flat Washers, (1) 12mm Lock Washer and (1) 12mm Hex Nut. **NOTE:** Some models may require drilling a mounting hole in the factory body mount bracket if not equipped.

IMPORTANT! Any cutting or drilling tool may break or shatter. Government regulations require safety glasses & equipment at all times when cutting or drilling.

2006-2008 Models.

Select the front Support Bracket with the angled end. Remove the sealing tape on the inner body panel to uncover the mounting location. Partially thread (1) 9mm Plastic Retainer onto a 10mm Bolt Plate. Insert the Bolt Plate into the mounting hole and thread the Plastic Retainer down until it is flush against the body panel, **(Figure 3)**. **NOTE:** The Plastic Retainer is designed to prevent the Bolt Plate from falling into the body cavity when properly installed. Secure the Support Bracket to the Bolt Plate with (1) 10mm Flat Washer, (1) 10mm Lock Washer and (1) 10mm Hex Nut. Attach the Support Bracket to the front-facing side of the Mounting Bracket with (1) 10mm x 30mm Hex Bolt, (2) 10mm Flat Washers, (1) 10mm Lock Washer and (1) 10mm Hex Nut, **(Figure 5)**. Snug but do not tighten hardware at this time.

4. Repeat Step 2 for the rear Mounting Bracket installation, **(Figure 2)**.
5. Next, select the rear Support Bracket (90-degree bend on one end). **NOTE:** The rear Support Bracket is not used on the Regular Cab models. Remove the sealing tape on the inner body panel to uncover the mounting location. Partially thread (1) 10mm Plastic Retainer onto a 10mm Bolt Plate. Insert the Bolt Plate into the mounting hole and thread the Plastic Retainer down until it is flush against the body panel, **(Figure 3)**. **NOTE:** The Plastic Retainer is designed to prevent the Bolt Plate from falling into the body cavity when properly installed. Secure the Support Bracket to the Bolt Plate with (1) 10mm Flat Washer, (1) 10mm Lock Washer and (1) 10mm Hex Nut. Attach the Support Bracket to the front-facing side of the Mounting Bracket with (1) 10mm x 30mm Hex Bolt, (2) 10mm Flat Washers, (1) 10mm Lock Washer and (1) 10mm Hex Nut. Snug but do not tighten hardware at this time.
6. Select a Running Board. Slip (8) 6mm T-Bolts into each bottom channel **(Figure 6)**. Carefully position the Running Board onto the Mounting Brackets. Attach the Running Board to the Mounting Brackets with (4) 6mm T-bolts, (4) 6mm flat washers and (4) 6mm lock nuts, **(Figure 7)**. Do not tighten hardware at this time
7. Align and adjust the Running Board then tighten all hardware.
8. Do periodic inspections to the installation to make sure all hardware is secure and tight.

To protect your investment, wax this product after installing. Regular waxing is recommended to add a protective layer over the finish. Do not use any type of polish or wax that may contain abrasives that could damage the finish.

For Polished Finishes: Aluminum polish may be used to polish small scratches and scuffs on the finish. Mild soap may be used also to clean the Running Board.

For black finishes: Mild soap may be used to clean the Running Board.

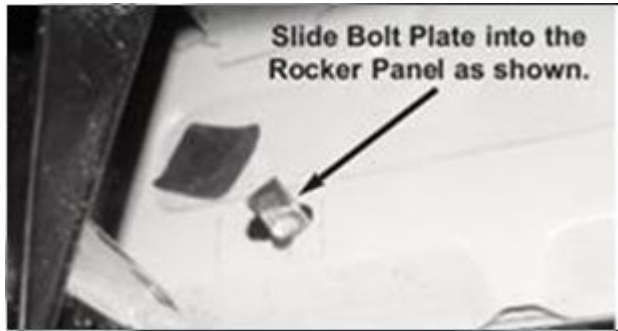
Driver Side Installation Pictured



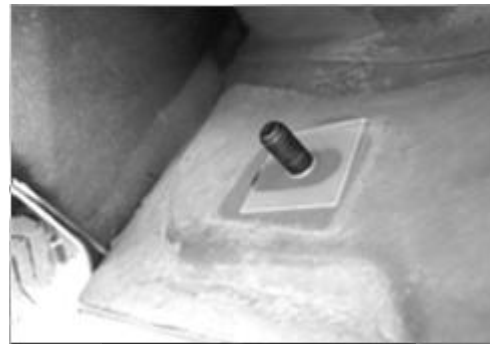
(Fig 1) Driver Front Bracket (example only)



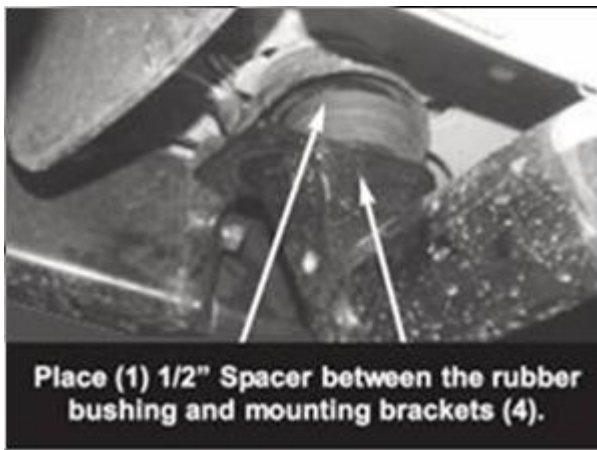
(Fig 2) Driver Rear Bracket(example only)



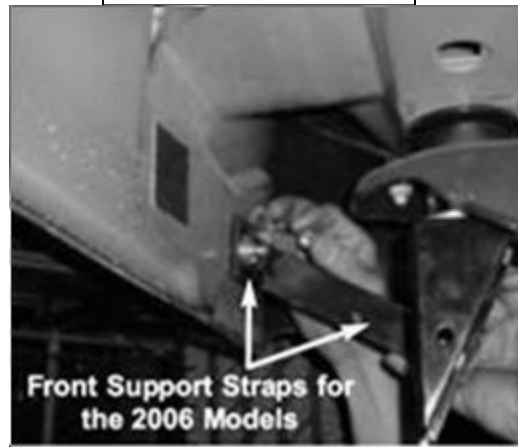
(Fig 3a) Rear bolt plate



(Fig 3b) Rear bolt plate



(Fig 4) Spacer Plate

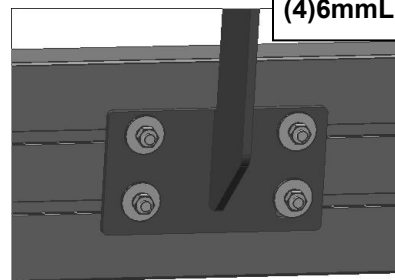


(Fig 5) Front bracket



(Fig 6) Slip 6mm T-bolts into the bottom channel

- (4)6mm T-bolts
- (4)6mm Flat Washers
- (4)6mm Lock nuts



(Fig 7) Bracket Installation