

PARTS LIST:

Item	QTY	Description	Item	QTY	Description
#01	1	Driver Sidebar	#08	4	M10 Nylon Lock Nuts
#02	1	Passenger Sidebar	#09	4	M10 Flat Washers
#03	4	Mounting Brackets (DFM/PFM/DRM/PRM)	#10	4	M8 Lock Washers
#04	1	M8 Insert Tool W/Bent Handle	#11	4	M8 Flat Washers
#05	4	M10X1.5-25 Hex Bolts	#12	16	M6 Square Hex Bolt
#06	4	M8 X1.25-30 Hex Bolts	#13	16	M6 Flat Washers
#07	4	M8 Threaded Inserts	#14	16	M6 Nylon Lock Nuts



DFM/PFM/DRM/PRM



8mm Threaded Installation Tool (Pictured assembled with Threaded Insert)

INSTALLATION INSTRUCTION:

REMOVE CONTENTS FROM BOX. VERIFY ALL PARTS ARE PRESENT. READ INSTRUCTIONS CAREFULLY BEFORE STARTING INSTALLATION.

- Starting at the front-passenger side of the vehicle, locate the hex shaped hole in the inner body panel, **(Figure 1)**. Assemble the Threaded Insert Tool as shown in **Figure 2A**. Insert the Threaded Insert assembly into the hex shaped hole. Firmly hold the assembly in place by the handle on the tool, **(Figure 2B)**, and tighten the hex bolt on the assembly until the Threaded Insert has fully expanded and is locked in place, **(Figure 3)**. **NOTE:** Do not over tighten or pull-out may occur. Once the Threaded Insert is properly installed, remove the hex bolt and tool from the Insert. Repeat this step for the rest of the Threaded Inserts required for this installation.
- Remove the plastic trim strip covering the pinch weld at the bottom of the body. Use a pair of pliers to gently squeeze the tabs on the clips together to release the clip from inside of the body panel and push it back through the hole in the pinch weld, **(Figure 3)**. **NOTE:** Carefully release the clips so the trim strip can be reinstalled using the original hardware.
- Select (1) Mounting Bracket. Line up the top mounting hole with the Threaded Insert and the lower hole with the hole in the pinch weld. Bolt the Mounting Bracket to the Threaded Insert with 8mm x 30mm Hex Bolt, 8mm Flat Washer and 8mm Lock Washer, **(Figure 4)**. Bolt the remaining tab on the Bracket to the pinch weld with (1) 10mm x 25mm Hex Bolt, (2) 10mm Flat Washers and (1) 10mm Nylon Lock Nut, **(Figure 5)**. Snug but do not tighten hardware at this time.
- Repeat Steps 2-4 for the passenger side rear Frame Mounting Bracket installation, **(Figure 6)**.
- Carefully place the passenger sidebar onto the two Mounting Brackets and line up the threaded inserts in the bottom of the tube with the slots in the cradles. Bolt the Sidebar to the cradles with the included (4) M6 Square Hex Bolt, (4) M6 Flat Washers and (4) M6 Nylon Lock Nuts, **(Figure 7)**. Do not tighten hardware at this time.
- Level and align the Sidebar with the vehicle and tighten all hardware.
- Repeat Steps 2-7 for the driver Sidebar installation.

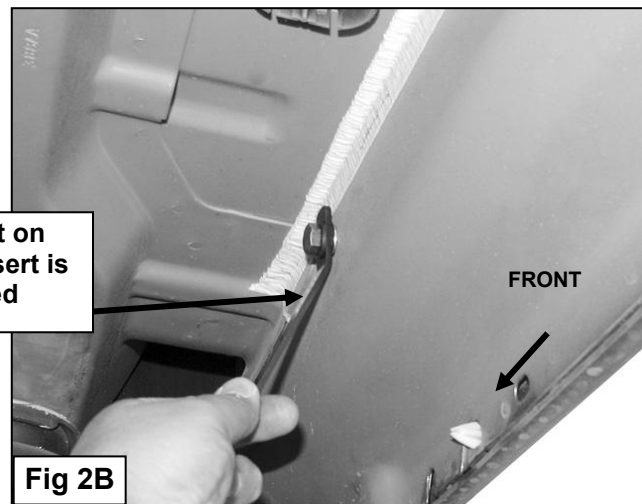
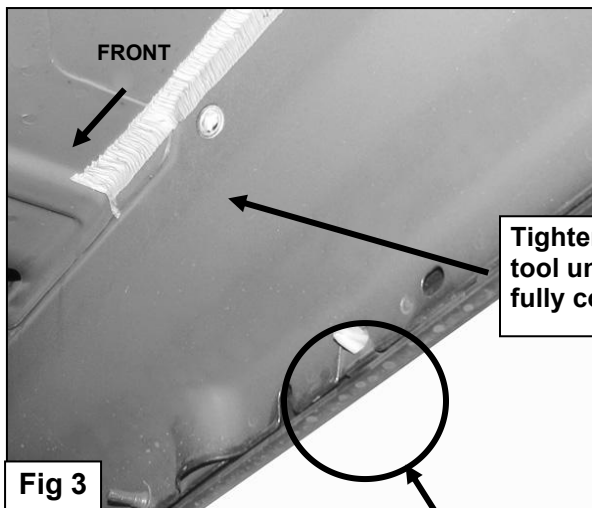
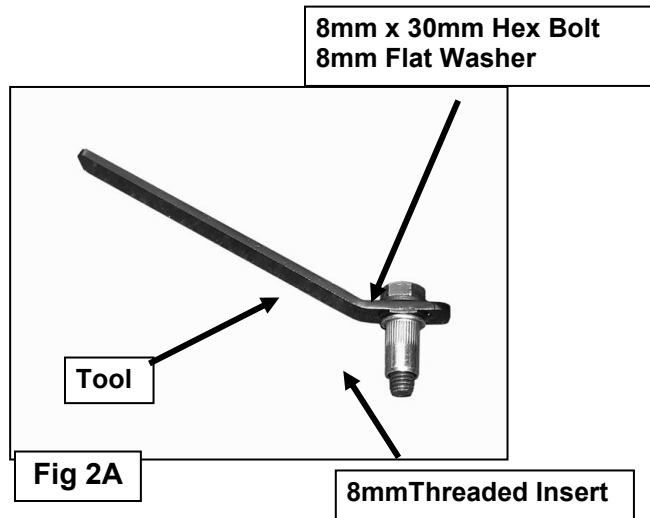
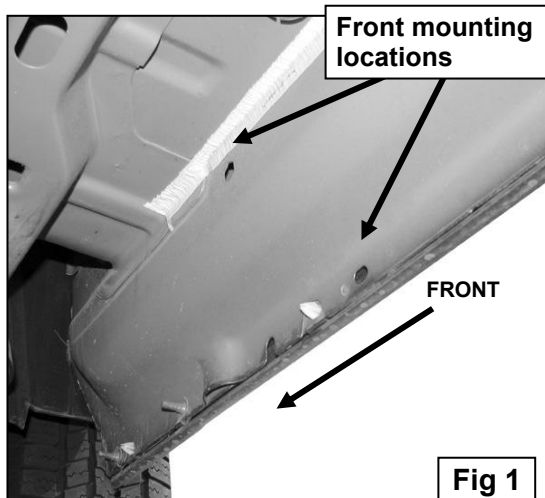
8. Do periodic inspections to the installation to make sure all hardware is secure and tight.

To protect your investment, wax this product after installing. Regular waxing is recommended to add a protective layer over the finish. Do not use any type of polish or wax that may contain abrasives that could damage the finish.

For Polished Finishes: Aluminum polish may be used to polish small scratches and scuffs on the finish. Mild soap may be used also to clean the Running Board.

For black finishes: Mild soap may be used to clean the Running Board.

Passenger Side Mounting Brackets Shows



Squeeze lock tabs together to release clip holding trim piece to pinch weld

Passenger Side Mounting Brackets Shows

***Pictures are for reference only, actual brackets & bars may be a little different ***

**8mm x 30mm Hex Bolt
8mm Lock Washer
8mm Flat Washer**

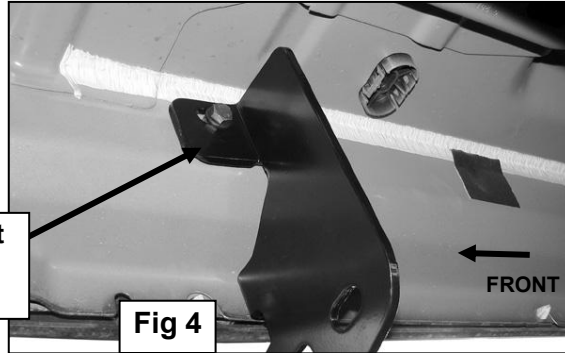


Fig 4

**10mm x 25mm Hex Bolt
(2) 10mm Flat Washers
10mm Nylon Lock Nut**

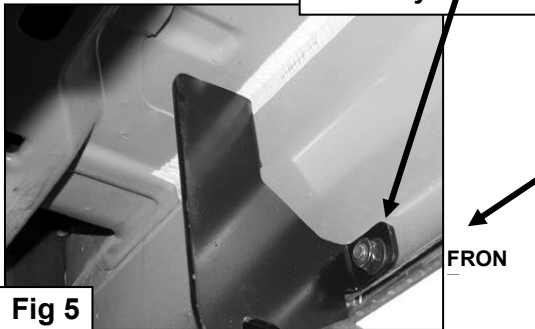


Fig 5

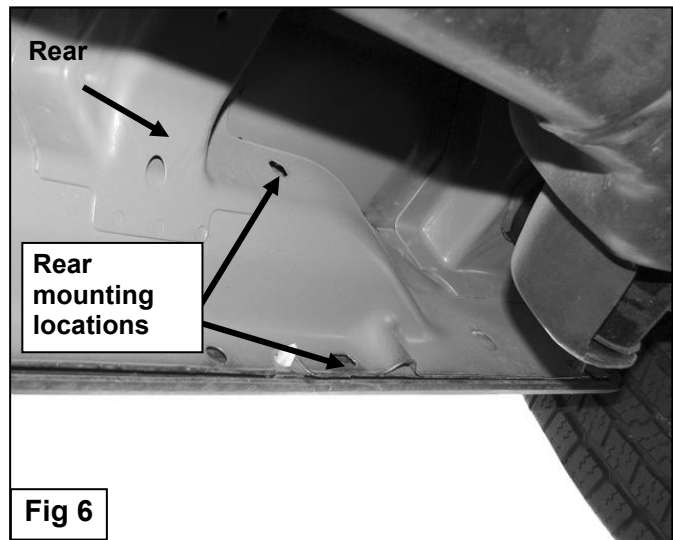
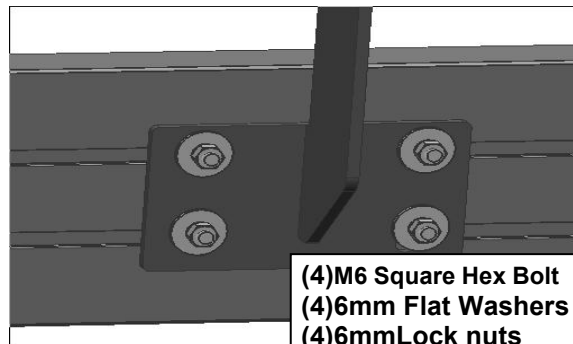


Fig 6



Fig 7

**M6 Square Hex Bolt
M6 Flat Washer
M6 Nylon Lock Nuts**



**(4)M6 Square Hex Bolt
(4)6mm Flat Washers
(4)6mm Lock nuts**