

(6",5",4")RUNNING BOARD
For 1994-2001 Dodge Ram 1500 Club Cab/1994-2002 Dodge Ram 2500/3500 Club Cab/
1998-2001 Dodge Ram 1500 Quad Cab (Excl. 2002 Body Style Sold in 2001)/1998-2002 Dodge Ram 2500/3500 Quad Cab

Installation Instructions for **IB04EJD6** by APS Auto Parts Specialist Inc.

Application: FOR 1994-2001 Dodge Ram 1500 Club Cab/
1994-2002 Dodge Ram 2500/3500 Club Cab/
1998-2001 Dodge Ram 1500 Quad Cab (Excl. 2002 Body Style Sold in
2001)/
1998-2002 Dodge Ram 2500/3500 Quad Cab

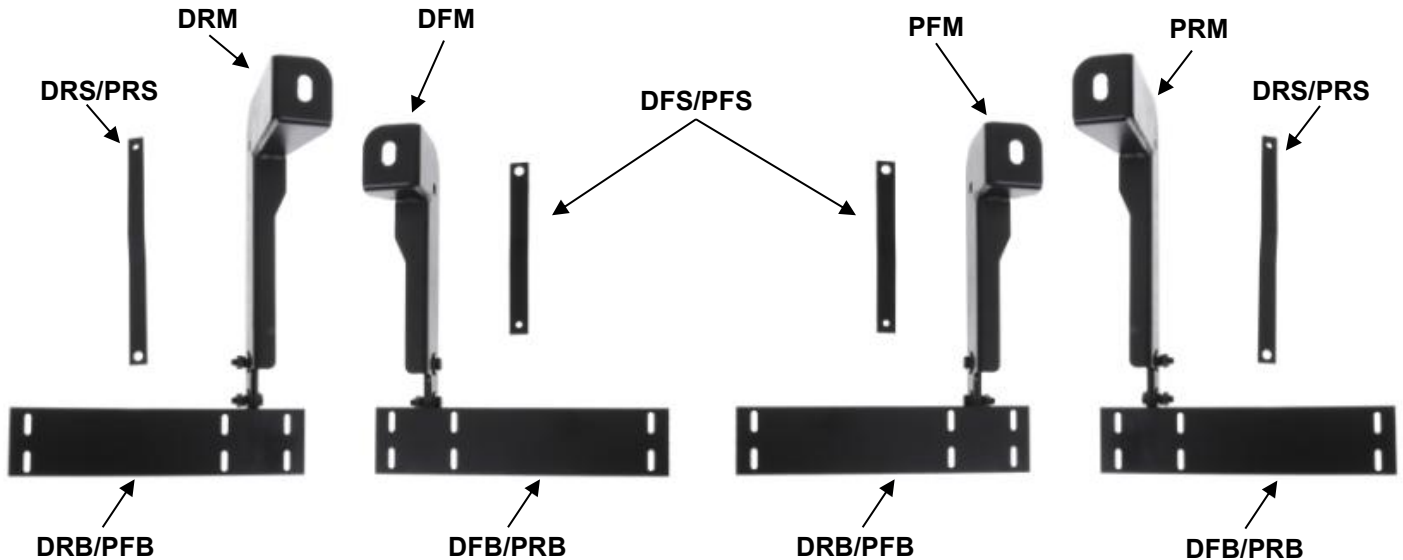
Estimated Time: 1 to 2 hours



Disclaimer: Instructions intended for persons aged 18+ please do not attempt without adult supervision. Instructions are not intended to replace professional installation. Damage from improper installation, misuse or modification to the product voids the manufacturer's warranty.

PARTS LIST:

Item	QTY	Description	Item	QTY	Description
#1	2	Running Board(use for left or right)	#12	4	12mm Lock Washers
#2	1	Driver/Left Front Upper Mounting Bracket (DFM)	#13	12	10mm x 35mm Hex Head Bolts
#3	1	Driver/Left Rear Upper Mounting Bracket (DRM)	#14	12	10mm Lock Washers
#4	1	Passenger/Right Front Upper Mounting Bracket (PFM)	#15	12	10mm Hex Nuts
#5	1	Passenger/Right Rear Upper Mounting Bracket (PRM)	#16	24	10mm Flat Washers
#6	2	Driver Front/Passenger Rear Lower Mounting Brackets (DFB/PRB)	#17	4	ST6.3-32mm Sheet Metal Screws
#7	2	Driver Rear/Passenger Front Lower Mounting Brackets (DRB/PFB)	#18	4	6.4mm Flat Washers
#8	2	Front Support Brackets (short) (DFS/PFS)	#19	24	6mm T-Bolts
#9	2	Rear Support Brackets (long) (DRS/PRS)	#20	24	6mm Flat Washers
#10	4	12mm x 120mm Hex Head Bolts	#21	24	6mm Nylon Lock Nuts
#11	4	12mm Flat Washers			



PROCEDURE:

- 1. REMOVE CONTENTS FROM BOX. VERIFY ALL PARTS ARE PRESENT. READ INSTRUCTIONS CAREFULLY BEFORE STARTING INSTALLATION. ASSISTANCE IS RECOMMENDED.**
2. Begin the installation by working on the driver side of the vehicle.
3. From underside of vehicle, Starting toward the front of the driver side, remove the front body mount bolts from body mounts.
4. Select the Driver Front Upper Mounting Bracket. Bolt the bracket to the vehicle with (1) 12mm x 120mm Hex Head Bolts, (1) 12mm Lock Washers, and (1) 12mm Flat Washers (**Figure 1 & 2**), Do not tighten hardware.
5. Select a Driver Front Lower Bracket, attach the bracket to the driver front Upper Bracket with (2) 10mm Hex bolt, (4) 10mm Flat Washer, (2) 10mm Lock Washer and (2) 10mm Hex Nut, (**Figure 1**). Snug but do not tighten hardware at this time.

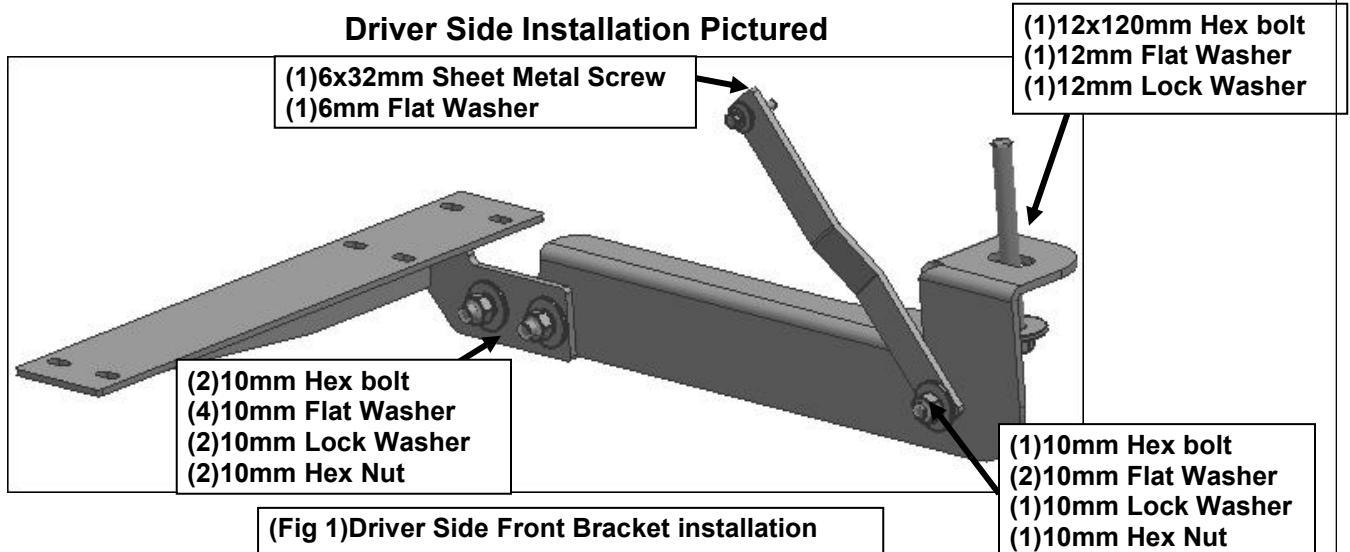
NOTE: Driver Front Lower Bracket and Passenger Rear Lower Bracket are universal.

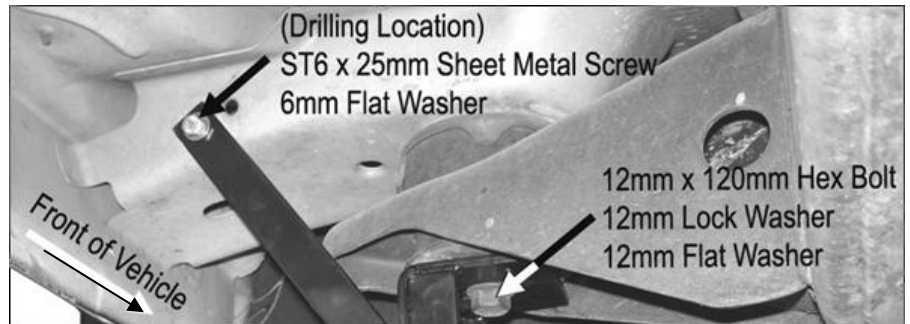
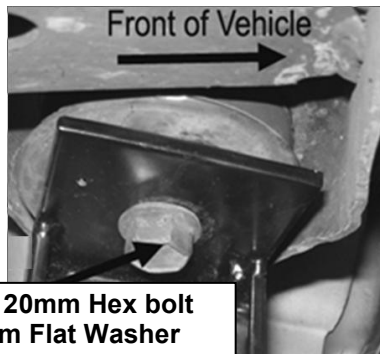
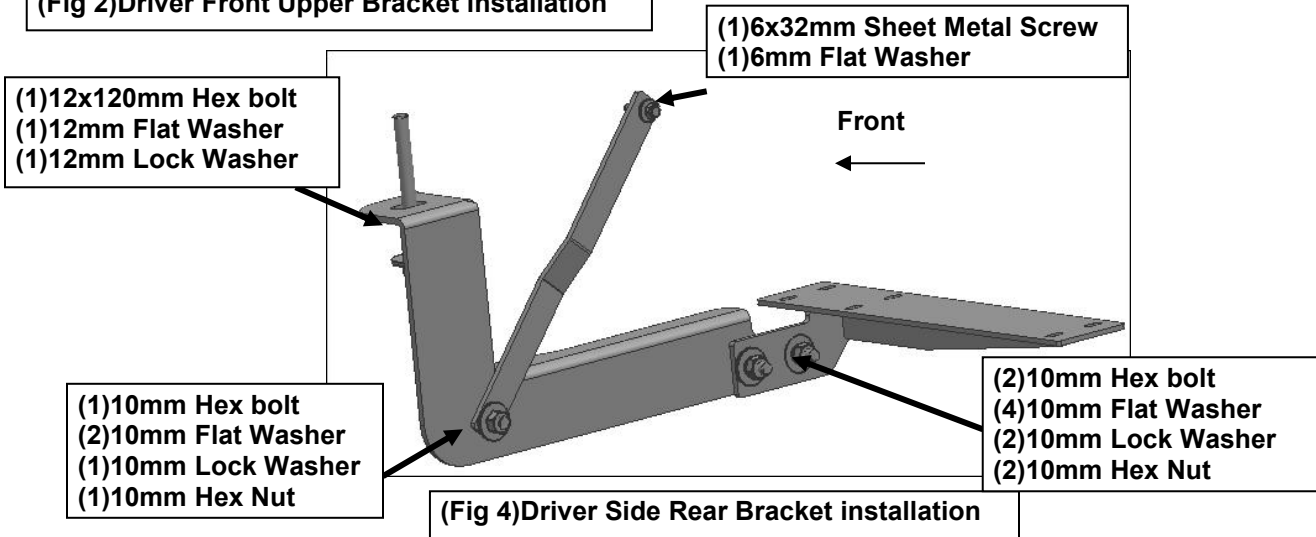
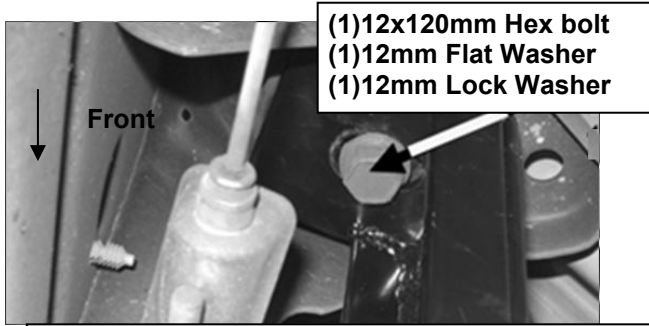
6. Repeat **Steps 1 & 5** for driver side rear Bracket installation(**Figure 4 & 6**).
7. Select the Running Board. Slip (12) 6mm T-Bolts into each bottom channel (**Figure 7**). Carefully position the Running Board onto the (2) Mounting Brackets. **IMPORTANT:** Do not slide the Running Board on the Brackets or damage to the finish may result. Attach the Running Board to the Mounting Brackets with (6) 6mm T-bolts,(6)6mm flat washers and (6)6mm lock nuts (**Figure 18**). Do not tighten hardware.
8. Partially attach one of the Front Support Bracket to the front side of the Front Mounting Bracket using the included (1) 10mm x 35mm Hex Head Bolt, (1) 10mm Lock Washer, (2) 10mm Flat Washers, and (1) 10mm Hex Nut (**Figure 1**). **NOTE:** Larger hole in the Support Bracket mounts to the Mounting Bracket.
9. Extend Support Bracket upwards to the body channel, and use the smaller hole in the Support Bracket as a template to mark the drilling location in the body channel (**Figure 3**).
10. Once you have marked the drilling location in the body channel, remove Support Bracket from body channel and using a 1/8" drill bit, drill out the marked location. **IMPORTANT! Any cutting or drilling tool may break or shatter. Government regulations require safety glasses & equipment at all times when cutting or drilling.**
11. Once you have drilled the hole in the body channel, attach Support Bracket to previously drilled hole using the included (1) ST6 x32mm Sheet Metal Screw and (1) 6mm Flat Washer (**Figure 1&3**). Tighten all the bolts at this time. **IMPORTANT!** Do not over tighten or a pull out may occur.
12. Repeat steps 8– 11for driver side Rear Support Bracket install.
13. Repeat steps 2 – 12 for passenger Running Board.
14. Do periodic inspections to the installation to make sure that all hardware is secure and tight.

To protect your investment, wax this product after installing. Regular waxing is recommended to add a protective layer over the finish. Do not use any type of polish or wax that may contain abrasives that could damage the finish.

For Polished Finishes: Aluminum polish may be used to polish small scratches and scuffs on the finish. Mild soap may be used also to clean the Running Board.

For Black Finishes: Mild soap may be used to clean the Running Board.





- (6)6mm T-bolts
- (6)6mm Flat Washers
- (6)6mm Nylon Lock Nuts

