

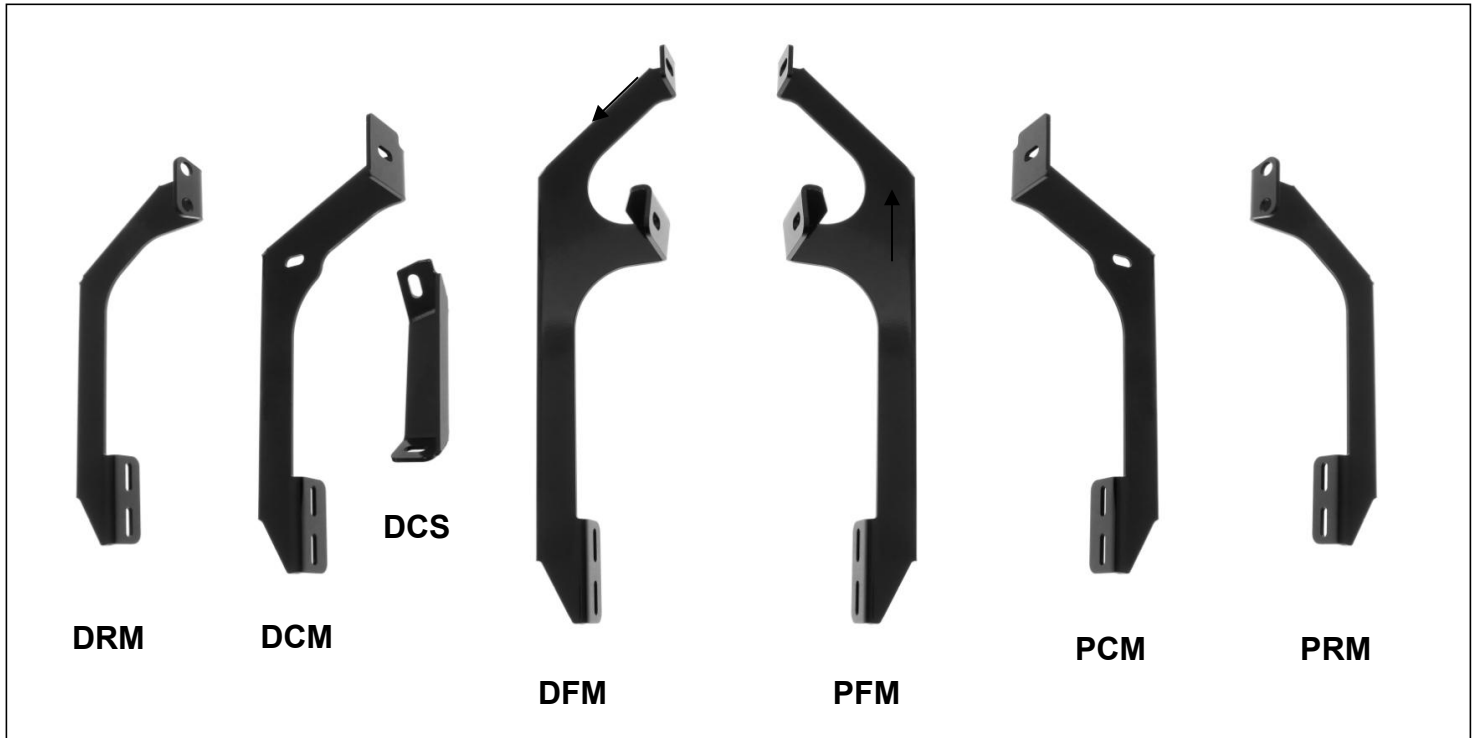


iRunning Board Installation Instruction

Application: For 2011-2019 Dodge Grand Caravan/2011-2016 Chrysler Town & Country

PARTS LIST:

2	Running Boards	2	M10 x 40mm Bolt Plates (Thin Plate Dimensions 75mm x 35mm x 5mm)
1	Driver/left Front Mounting Bracket(DFM)	7	10mm Plastic Retainers
1	Passenger/right Front Mounting Bracket(PFM)	1	M10 x 30mm Hex Bolts
1	Driver/left Center Mounting Bracket(DCM)	9	10mm x 30mm x 2.5mm Flat Washers
1	Passenger/right Center Mounting Bracket(PCM)	8	M10 Lock Washers
1	Driver/left Rear Mounting Bracket(DRM)	8	M10X1.5 Hex Nuts
1	Passenger/right Rear Mounting Bracket(PRM)	12	M6 x 1-20 T-Bolt
1	Driver/left Support Bracket(DCS)	12	M6 Flat Washers
5	M10 x 40mm Bolt Plates (Thick Plate Dimensions 107mm x 15mm x 6mm)	12	M6 Nylon Lock Nuts



PROCEDURE:

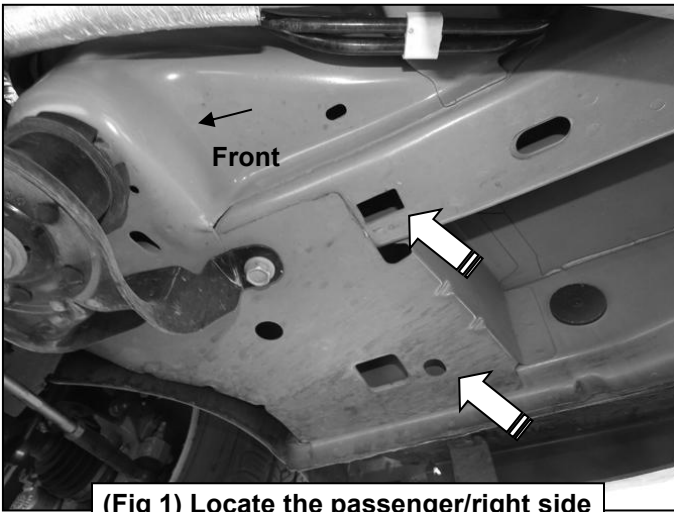
REMOVE CONTENTS FROM BOX. VERIFY ALL PARTS ARE PRESENT. READ INSTRUCTIONS CAREFULLY BEFORE STARTING INSTALLATION. CUTTING IS REQUIRED. ASSISTANCE IS RECOMMENDED.

1. Start installation under the passenger/right side front of the vehicle. Locate the factory hole(s) in the inside wall of the floor panel, **(Figure 1)**. **NOTE:** The mounting locations may be covered by sealant or undercoating. Use a small screwdriver to poke through the sealant to uncover the hole. **IMPORTANT:** Brackets must sit flat against sheet metal. Scrape any excess sealant from body panel before installing any Bracket.
2. Select (2) 10mm x 40mm Thin Bolt Plates and (2) 10mm Plastic Retainers, **(Figure 2)**. Partially thread the Plastic Retainer onto the Bolt Plate. Insert the Bolt Plate with Retainer into the front mounting hole, **(Figure 3)**. Thread the Retainer down until it is tight against the floor panel. The Retainer is designed to help hold the Bolt Plate in place during Bracket installation. Repeat

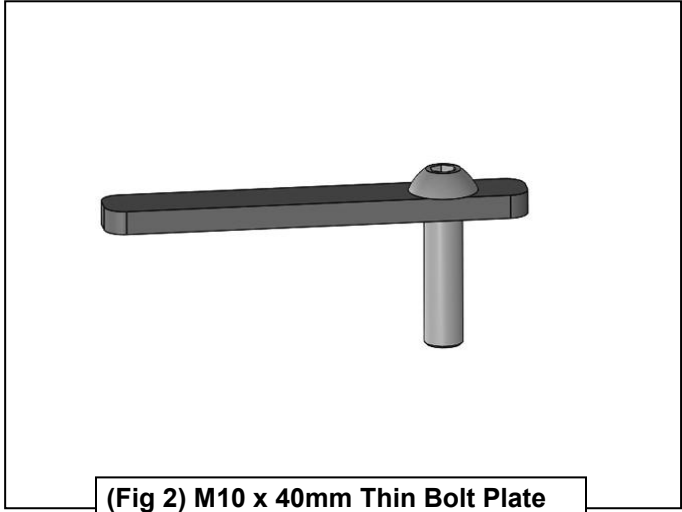
- Step to install the other Bolt Plate into the mounting hole. **NOTE:** Hold the passenger/right side Front Mounting Bracket up to the front mounting location to help determine the correct holes.
3. Attach the passenger/right side Front Bracket to the (2) Bolt Plates using (2) 10mm Flat Washers, (2) 10mm Lock Washers and (2) 10mm Hex Nuts, (**Figures 4 & 5**). Snug but do not tighten hardware at this time.
 4. Move to the center mounting location, (**Figure 6**). Locate the large slot above the passenger/right side exhaust pipe, (**Figure 6**). Next, select (1) 10mm x 40mm Thick Bolt Plate and (1) 10mm Plastic Retainer, (**Figure 7**). Partially thread the Plastic Retainer onto the Bolt Plate. Insert the Bolt Plate with Retainer into the front mounting hole, (**Figure 8**). Thread the Retainer down until it is tight against the floor panel. The Retainer is designed to help hold the Bolt Plate in place during Bracket installation.
 5. Attach the passenger/right side Center Mounting Bracket to the Bolt Plate using (1) 10mm Flat Washer, (1) 10mm Lock Washer and (1) 10mm Hex Nut, (**Figure 9**). Leave hardware loose.
 6. Move to the rear mounting location, (**Figure 10**). Temporarily, remove the (2) forward factory bolts at the rear, (**Figure 11**). Select the Passenger/right side Rear Bracket. Reuse the (2) factory bolts to attach the Bracket to the rear mounting location, (**Figures 12 & 13**). Snug but do not tighten hardware at this time.
 7. Carefully unwrap the Running Boards. Place the Running Board on top of the (3) installed Brackets. **IMPORTANT:** Do not slide the Running Board on the Brackets, (front to back), or the finish on the Running Board may be damaged. Insert (6) M6 T-Bolts into the channels, (3 T-Bolts per channel), on the bottom of the Running Board closest to the Brackets, (**Figure 14**). Lift the Running Board up and guide the studs through the Brackets.
 8. Attach the Board to the Brackets with (6) M6 Flat Washers and (6) M6 Nylon Lock Nuts, (**Figures 15—18**). Do not tighten hardware at this time.
 9. Level and adjust the Running Board as desired and tighten all hardware. **NOTE: Torque all M6 nylon lock nuts to 7 lb-ft.**
 10. Repeat **Steps 1—3** for Driver/left side Front Mounting Bracket installation.
 11. Move to the driver/left side center mounting location, (**Figure 19**). Locate the large hole and remove the plastic plug from the bottom of the frame channel, (**Figure 19**).
 12. Select the driver/left side Center Bracket, (1) 10mm Thick Bolt Plate and (1) Plastic Retainer. Repeat **Steps 4 & 5** to attach the Center Bracket to the Bolt Plate, (**Figures 20 & 21**).
 13. Next, select the remaining 10mm Thin Bolt Plate and Plastic Retainer. Partially thread the Retainer onto the Bolt Plate. Insert the Bolt Plate into the hole in the bottom of the frame channel. Thread the Retainer down until it is tight against the floor panel. The Retainer is designed to help hold the Bolt Plate in place during Bracket installation.
 14. Select the Driver/left side Support Bracket. Attach the Support Bracket to the Bolt Plate with (1) 10mm Flat Washer, (1) 10mm Lock Washer and (1) 10mm Hex Nut, (**Figure 22**). Secure the other end of the Bracket to the back of the Center Mounting Bracket with (1) 10mm Hex Bolt, (2) 10mm Flat Washers, (1) 10mm Lock Washer and (1) 10mm Hex Nut, (**Figure 22**). Leave hardware loose at this time. Snug but do not fully tighten hardware at this time.
 15. Repeat **Steps 6—9** for driver/left side Rear Bracket and Running Board installation.
 16. Do periodic inspections to the installation to make sure that all hardware is secure and tight.

To protect your investment, wax this product after installing. Regular waxing is recommended to add a protective layer over the finish. Do not use any type of polish or wax that may contain abrasives that could damage the finish. Mild soap may be used also to clean the Running Board.

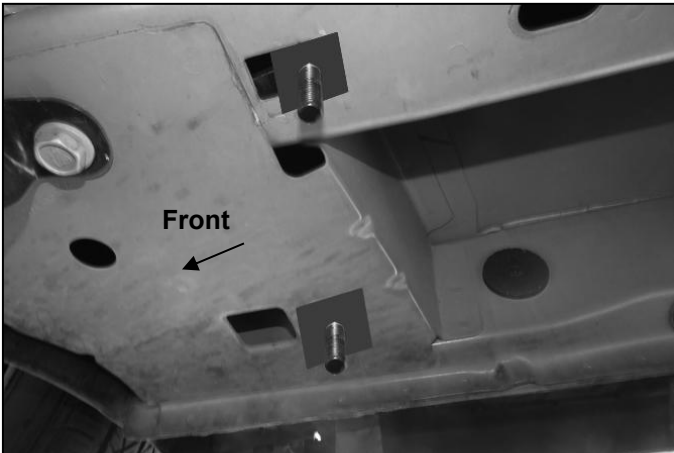
Passenger/Right Side Installation Pictured



(Fig 1) Locate the passenger/right side front mounting location

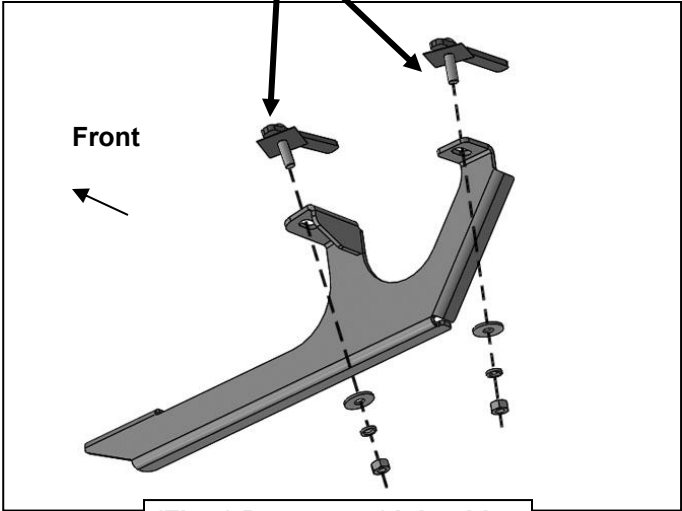


(Fig 2) M10 x 40mm Thin Bolt Plate

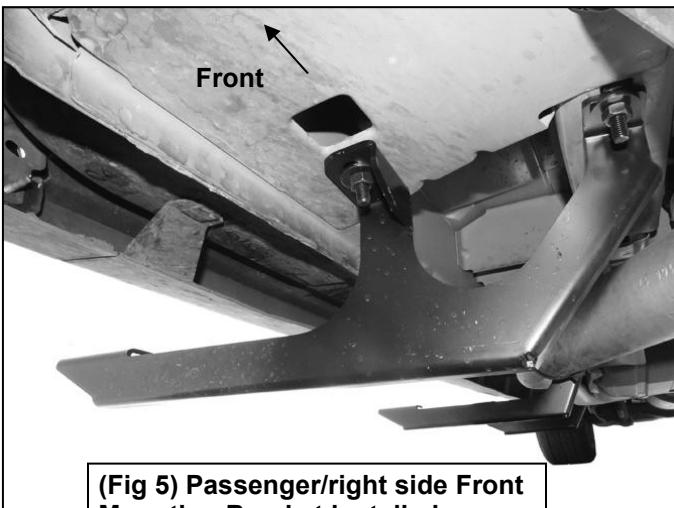


(Fig 3) Insert (2) 10mm Thin Bolt Plates into the front mounting holes. Secure with Plastic Retainers

- (2) 10mm Thin Bolt Plates
- (2) 10mm Plastic Retainers
- (2) 10mm Flat Washers
- (2) 10mm Lock Washers
- (2) 10mm Hex Nuts

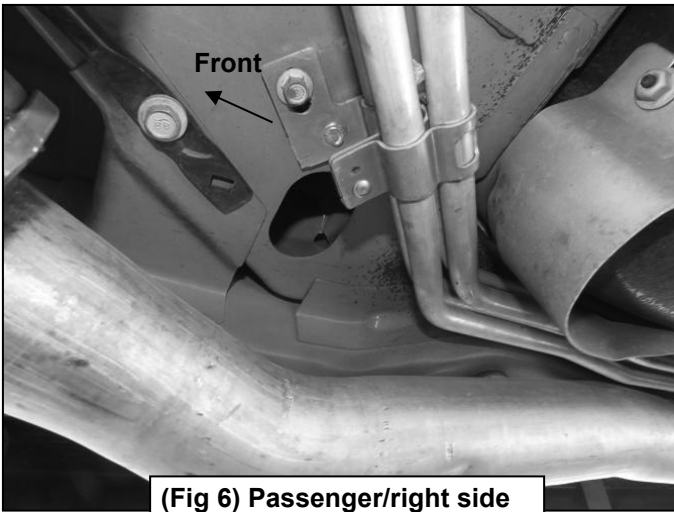


(Fig 4) Passenger/right side Front Mounting Bracket

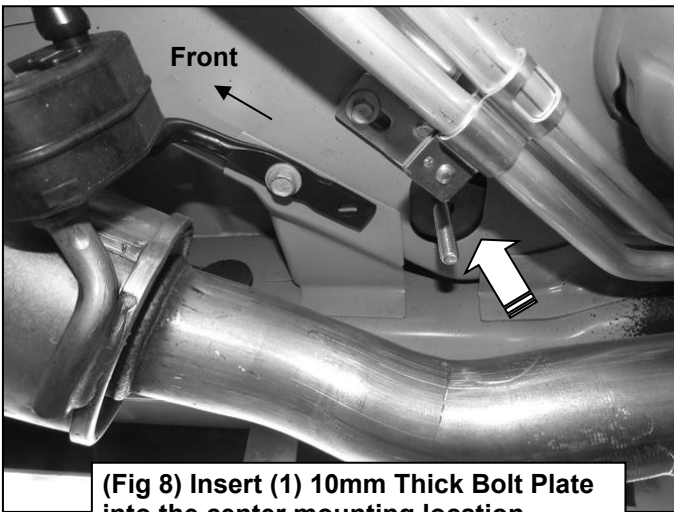


(Fig 5) Passenger/right side Front Mounting Bracket installed

Passenger/Right Side Installation Pictured

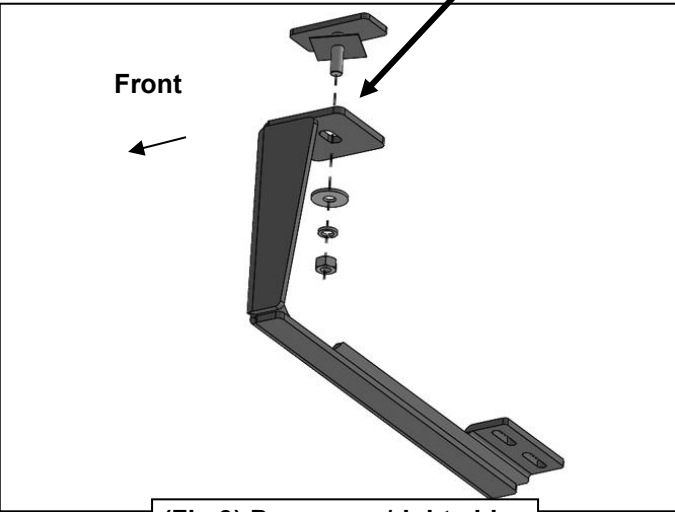


(Fig 6) Passenger/right side Center Mounting Location

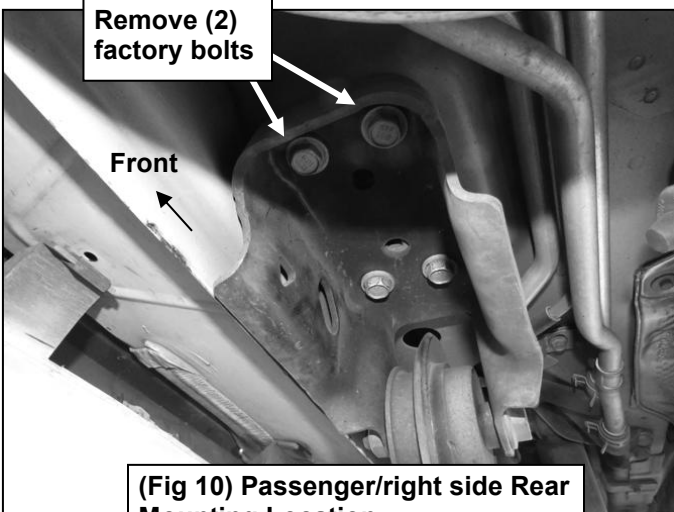


(Fig 8) Insert (1) 10mm Thick Bolt Plate into the center mounting location

- 10mm Thick Bolt Plate
- 10mm Plastic Retainer
- 10mm Flat Washer
- 10mm Lock Washer
- 10mm Hex Nut

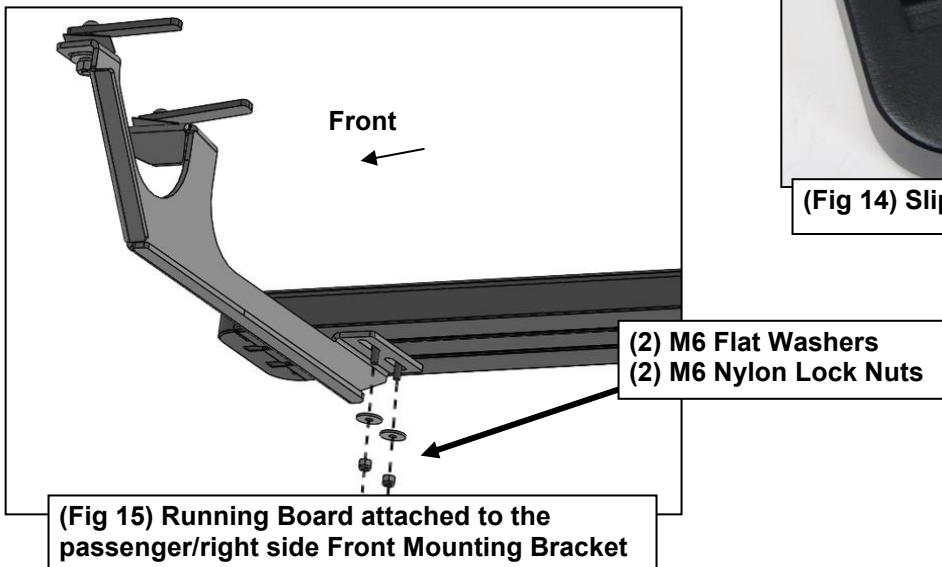
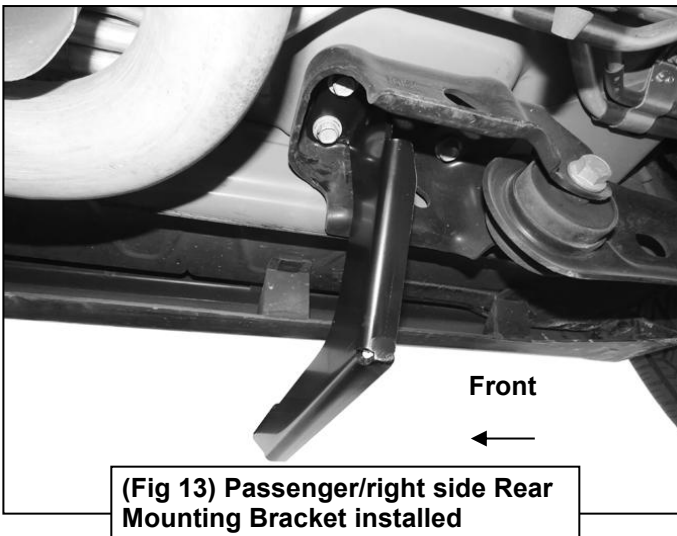
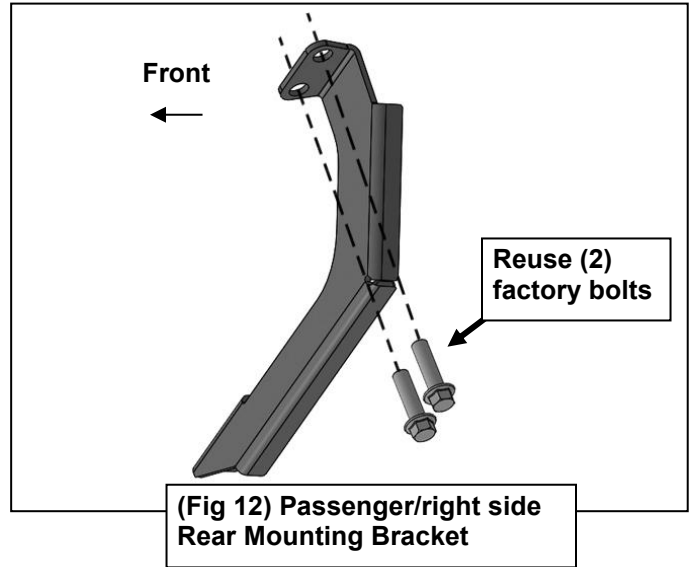
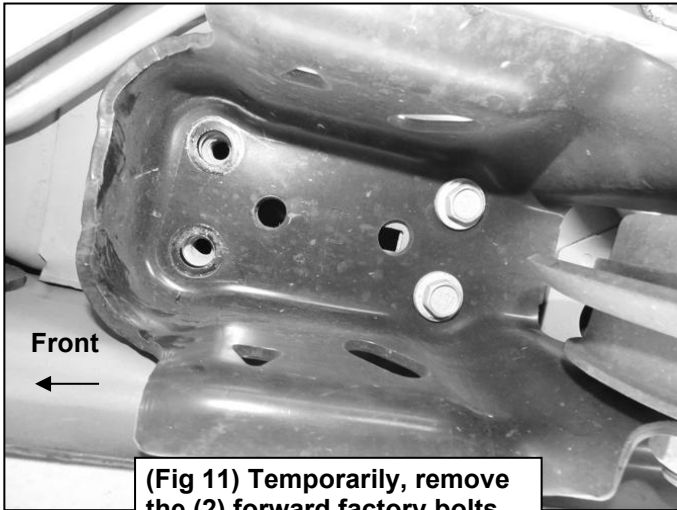


(Fig 9) Passenger/right side Center Mounting Bracket

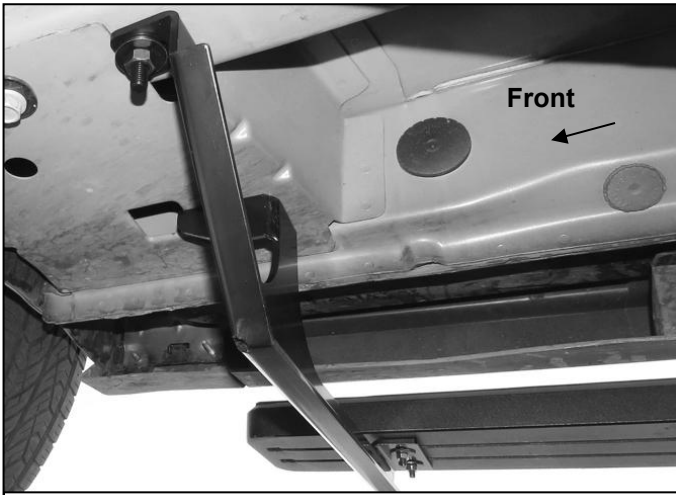


(Fig 10) Passenger/right side Rear Mounting Location

Passenger/Right Side Installation Pictured



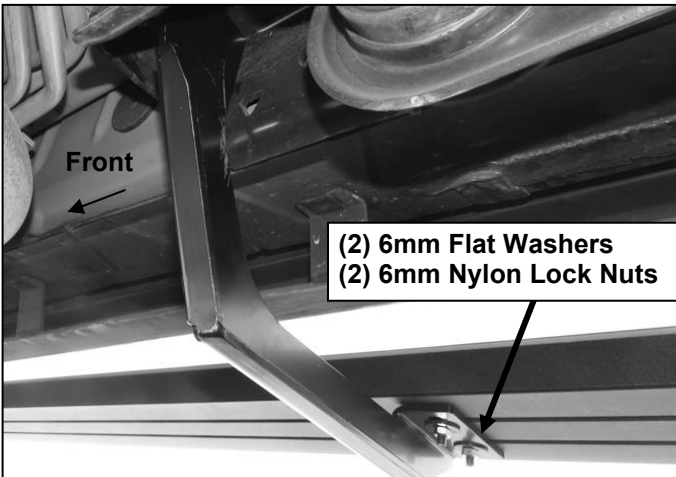
Passenger/Right Side Installation Pictured



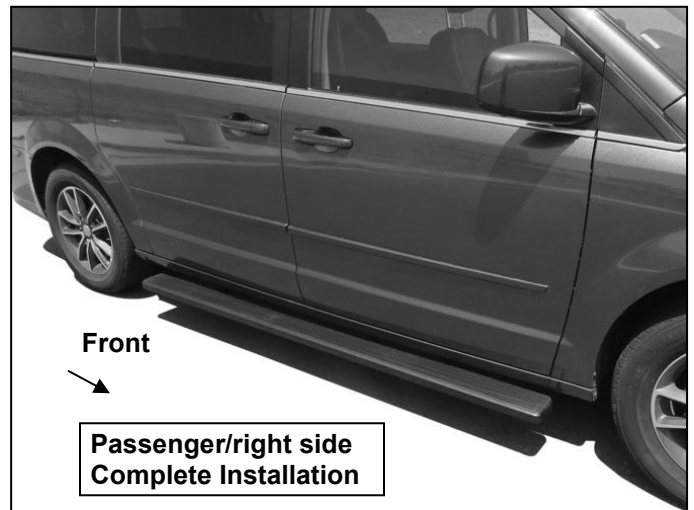
(Fig 16) Passenger/right front side complete install



(Fig 17) Passenger/right center side complete install

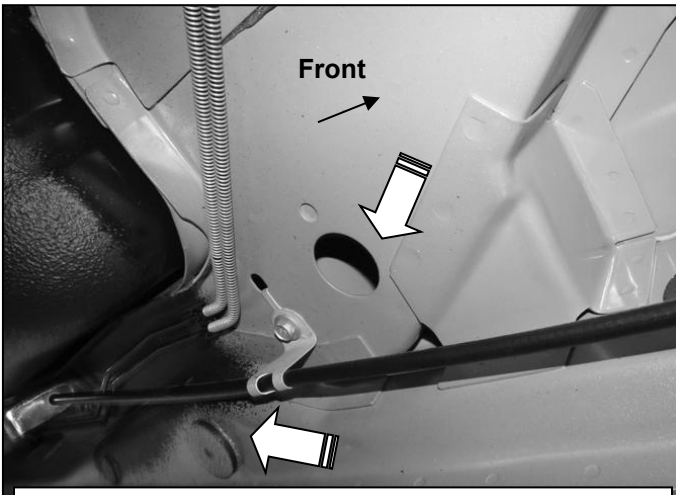


(Fig 18) Passenger/right rear side complete install



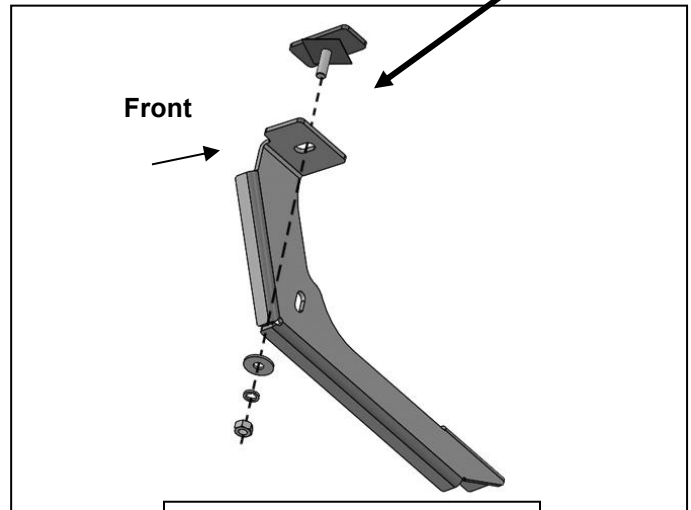
Passenger/right side Complete Installation

Driver/Left Side Installation Pictured

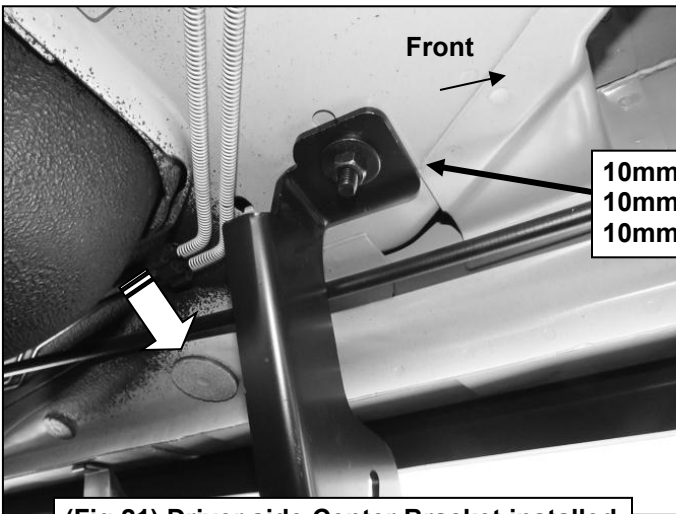


(Fig 19) Driver/left side Center Mounting Location

- 10mm Thick Plate
- 10mm Plastic Retainer
- 10mm Flat Washer
- 10mm Lock Washer
- 10mm Hex Nut



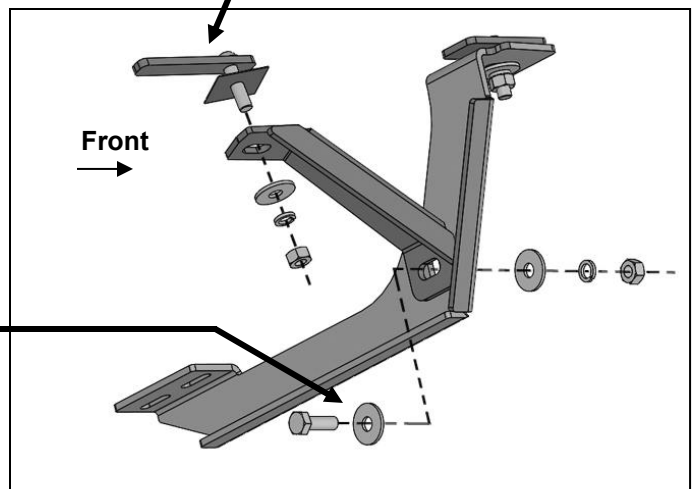
(Fig 20) Driver/left side Center Mounting Bracket



(Fig 21) Driver side Center Bracket installed

- 10mm Flat Washer
- 10mm Lock Washer
- 10mm Hex Nut

- 10mm Thin Bolt Plate
- 10mm Plastic Retainer
- 10mm Flat Washer
- 10mm Lock Washer
- 10mm Hex Nut



(Fig 22) Driver/left side Support Bracket attached to the rear side of the Center Bracket

- 10mm Hex Bolt
- (2) 10mm Flat Washers
- 10mm Lock Washer
- 10mm Hex Nut