

Installation Instructions for IB04EBE8

by APS Auto Parts Specialist Inc.

Application: For 2019 Dodge Ram 1500 Crew Cab

Estimated Time: 1 to 2 hours



Disclaimer: Instructions intended for persons aged 18+ please do not attempt without adult supervision. Instructions are not intended to replace professional installation. Damage from improper installation, misuse or modification to the product voids the manufacturer's warranty.

PARTS LIST:

QTY	Description	QTY	Description
2	Running Board(use for left or right)	12	M6 Nylon Lock Nuts
6	Mounting Brackets	18	M8X1.25 Nylon Lock Nuts
12	M6 x 20mm T-Bolts	18	M8 Flat Washers
12	M6 Flat Washers		



Mounting Brackets

PROCEDURE:

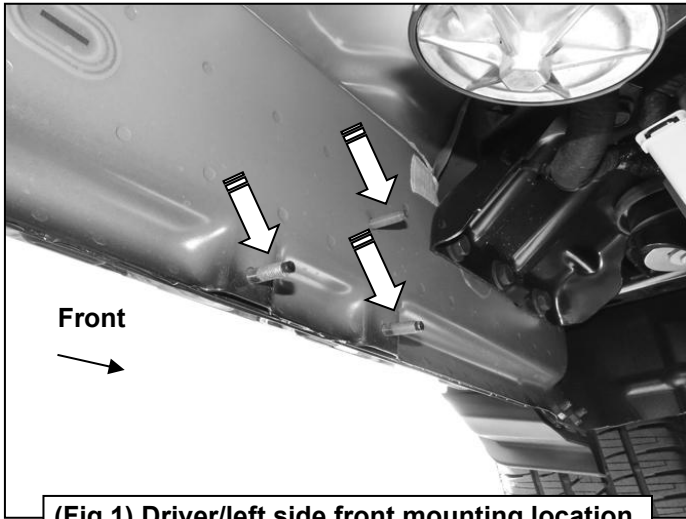
REMOVE CONTENTS FROM BOX. VERIFY ALL PARTS ARE PRESENT. READ INSTRUCTIONS CAREFULLY BEFORE STARTING INSTALLATION. ASSISTANCE IS RECOMMENDED.

1. Start the installation under the driver side of the vehicle. Locate the front (3) factory studs along the inner side of the body panel, **(Figure 1)**. **NOTE:** Chase threads on the studs first before installing Brackets to remove paint buildup.
2. Select (1) Mounting Bracket. **NOTE:** All (6) Brackets are universal and will fit left or right side. Attach the Mounting Bracket to the (3) factory studs with (3) M8 Flat Washers and (3) M8 Nylon Lock Nuts, **(Figures 2 & 3)**. Leave brackets loose at this time.
3. Repeat **Steps 1 & 2** to install the Universal Brackets in the center and rear mounting locations along the body panel, **(Figures 4 — 7)**.
4. Carefully unwrap and select the Driver/left side Running Board. **NOTE:** Use the illustration above to help determine the correct Running Board. Place the Running Board on top of the Brackets. **IMPORTANT:** Do not slide, (front to back), the Running Board on the Brackets or damage to the finish may result. Locate the channel opening in the bottom of the Running Board. Select (6) M6 T-Bolts, **(Figure 8)**. Insert the T-Bolts into the channel in the bottom of the Running Board closest to the Brackets, **(Figure 9)**. Lift the Running Board up and guide the studs through the Brackets.
5. Attach the Running Board to the Brackets with (6) M6 Flat Washers and (6) M6 Nylon Lock Nuts, **(Figures 10)**.

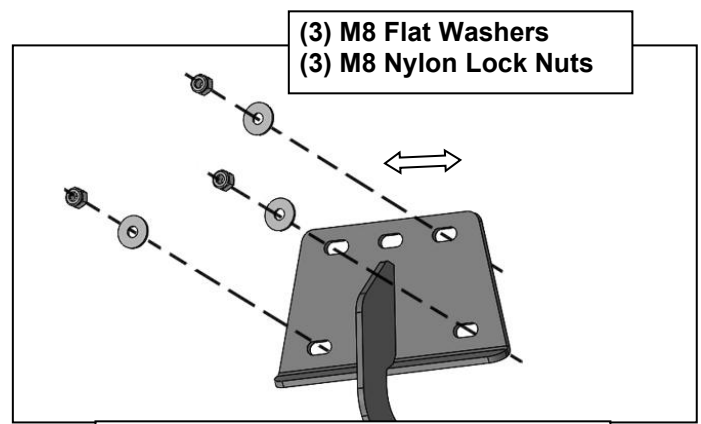
6. Level and adjust the Running Board as necessary and fully tighten all hardware. **NOTE:**
Torque all M6 nylon lock nuts to 7 lb-ft.
7. Repeat **Steps 1—6** for Passenger/right side Running Board Installation.
8. Do periodic inspections to the installation to make sure that all hardware is secure and tight.

To protect your investment, wax this product after installing. Regular waxing is recommended to add a protective layer over the finish. Do not use any type of polish or wax that may contain abrasives that could damage the finish. Mild soap may be used also to clean the Running Board.

Driver/left Side Installation Pictured



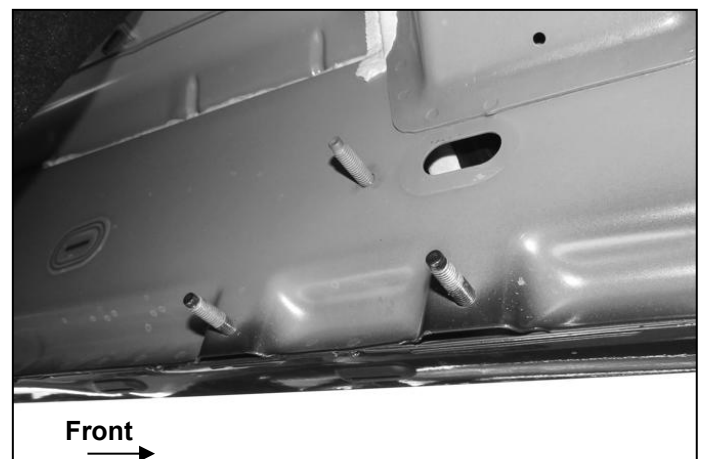
(Fig 1) Driver/left side front mounting location



(Fig 2) Attach Bracket to the (3) studs

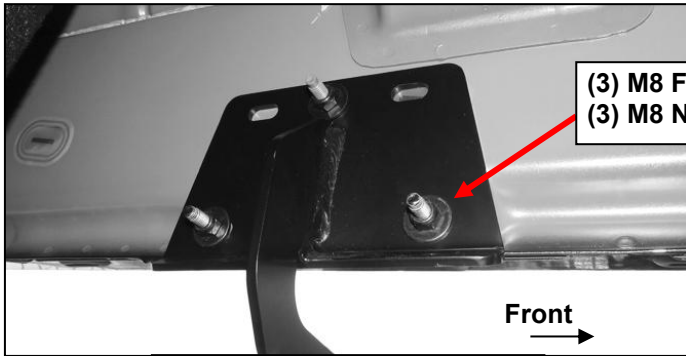


(Fig 3) Driver/left front side Mounting Bracket installed

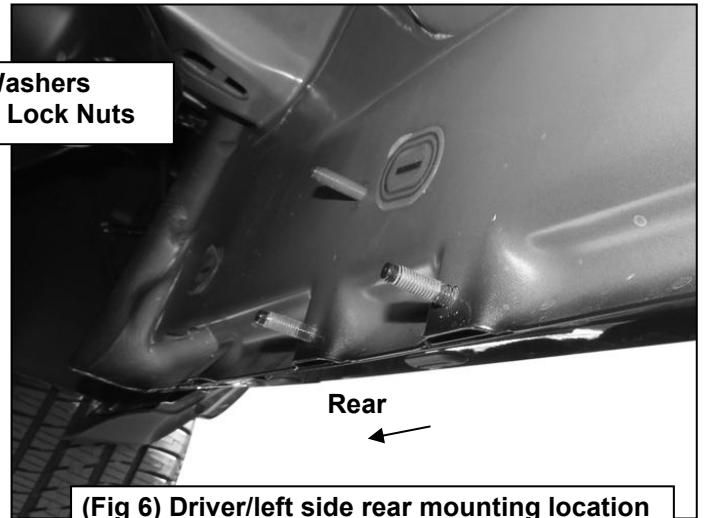


(Fig 4) Driver/left side center mounting location

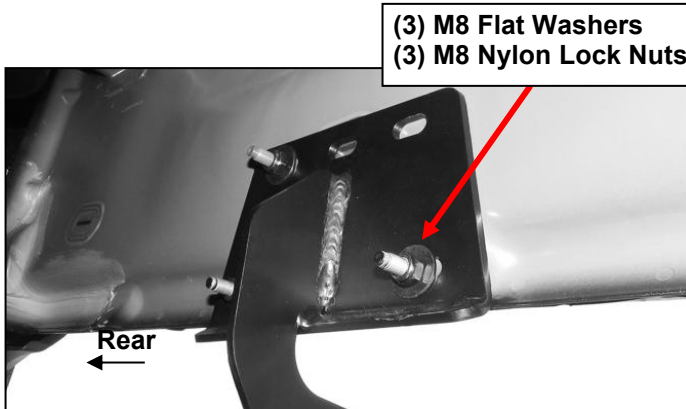
Driver/left Side Installation Pictured



(Fig 5) Driver/left center side Mounting Bracket installed

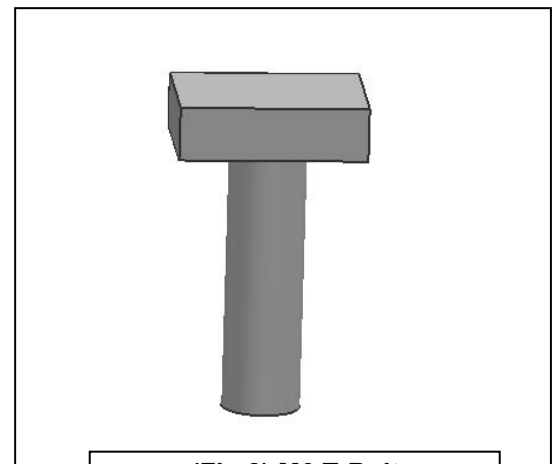


(Fig 6) Driver/left side rear mounting location

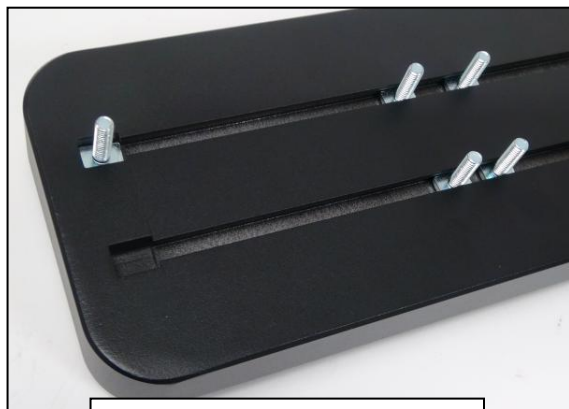


(Fig 7) Driver/left rear side Mounting Bracket installed

(3) M8 Flat Washers
(3) M8 Nylon Lock Nuts

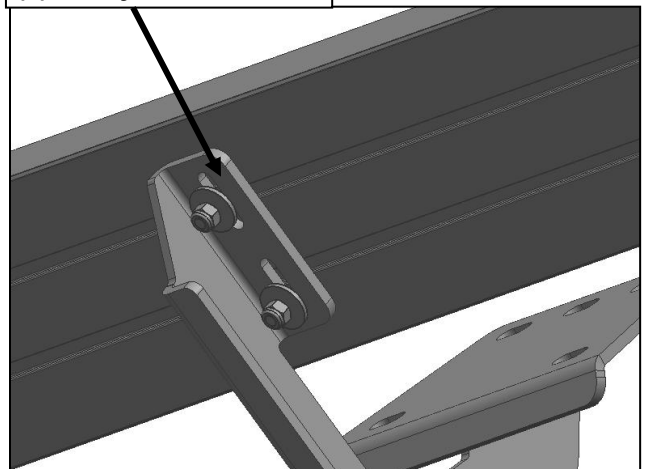


(Fig 8) M6 T-Bolt



(Fig 9) Slip M6 T-bolts into the bottom channel

(2) M6 T-Bolts
(2) M6 Flat Washers
(2) M6 Nylon Lock Nuts



(Fig 10) Driver/left side Running Board attached to Mounting Bracket at the front location