

Installation Instructions for IB04DBE2

by APS Auto Parts Specialist Inc.

Application: For 2011-2018 Dodge Durango 4-Door
Estimated Time: 1 to 2 hours



Disclaimer: Instructions intended for persons aged 18+ please do not attempt without adult supervision. Instructions are not intended to replace professional installation. Damage from improper installation, misuse or modification to the product voids the manufacturer's warranty.

90-degrees to go across the slot, (**Figure 5**). Thread the Retainer all the way down the Bolt Plate and tight against the body panel. **NOTE:** The Plastic Retainer is designed to prevent the Bolt Plate from falling into the body panel and to aid Bracket installation.

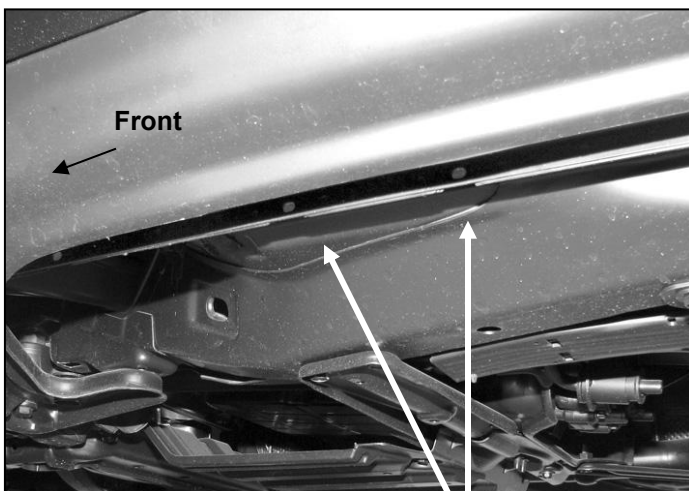
3. Select (1) Driver Front/Passenger Rear Mounting Brackets, (**Figure 6**). Attach the Bracket to the Bolt Plate with (1) 12mm x 24mm Flat Washer and (1) 12mm Serrated Flange Nut, (**Figure 7**). Do not tighten hardware at this time.
4. Line up the (2) small slots in the Bracket with the (2) holes in the pinch weld. Bolt the Bracket to the outside of the pinch weld with (2) 6mm x 25mm Hex Bolts, (2) 6mm x 22mm Large Flat Washers, (outside against Bracket), (2) 6mm x 18mm STD Flat Washers, (inside against pinch weld), and (2) 6mm Nylon Lock Nuts, (**Figures 7 & 8**). Do not tighten hardware at this time.
5. Repeat **Steps 1—3** to install the Driver Center Bracket.
6. Bolt the Driver Front/Passenger Rear Lower Bracket to the upper bracket with (2) 10mm x 35 mm Hex Bolt, (4) 10mm Flat Washers, (2) 10mm Lock Washer and (2) 10mm Hex Nut. Do not tighten hardware at this time. (**Figure 9**)
7. Repeat **Steps 1—4, 6** to install the Driver Rear Bracket, (**Figure 10**)
8. Select a Running Board. Slip (14)M6 T-bolts into each bottom channel(**Figure 11**). Carefully position the Running Board onto the (3) Mounting Brackets. **IMPORTANT:** Do not slide, (front to back), the Running Board on the Brackets or damage to the finish may result. Attach the Running Board to the Driver Front Lower Brackets with (6) M6 T-bolts,(6) 6mm flat washers and (6) 6mm lock nuts (**Figures 12**). Center Mounting Bracket with (2) M6 T-bolts, (2)M6 flat washers and (2)M6 nylon lock nuts. (**Figures 13**) Driver Rear Lower Brackets with (6) M6 T-bolts, (6)M6 flat washers and (6)M6 nylon lock nuts (**Figures 14**). Do not tighten at this time.
9. Adjust and level the Running Board and tighten all hardware. **NOTE: Torque all M6 nylon lock nuts to 7 lb-ft.**
10. Repeat **Steps 2—9** for passenger/right Running Board installation.
11. Do periodic inspections to the installation to make sure that all hardware is secure and tight.

To protect your investment, wax this product after installing. Regular waxing is recommended to add a protective layer over the finish. Do not use any type of polish or wax that may contain abrasives that could damage the finish.

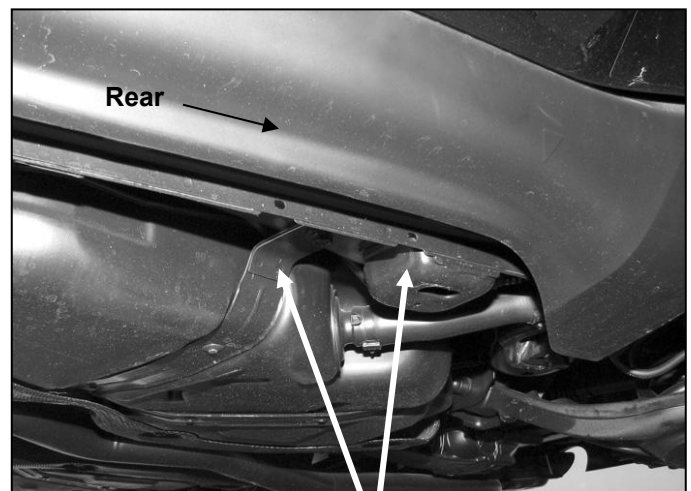
For Polished Finishes: Aluminum polish may be used to polish small scratches and scuffs on the finish. Mild soap may be used also to clean the Running Board.

For Black Finishes: Mild soap may be used to clean the Running Board.

Driver Side Installation Pictured

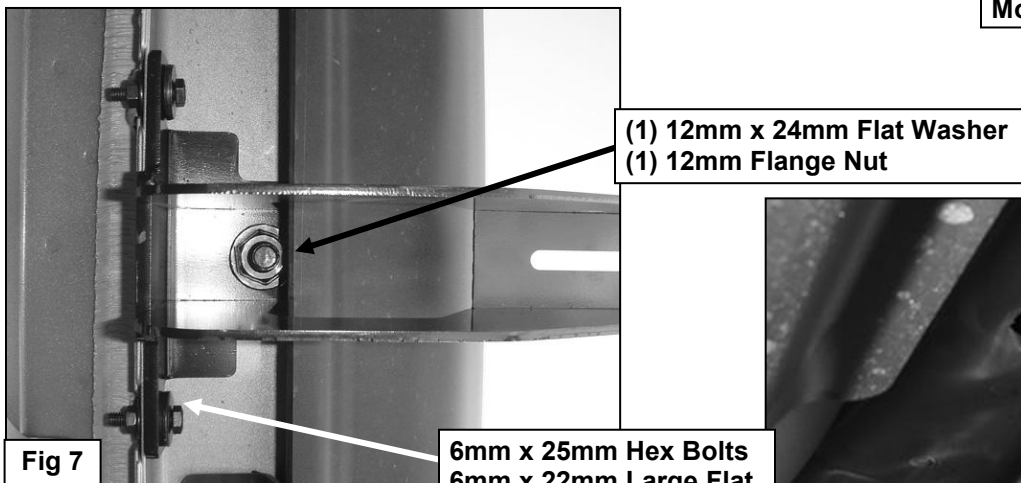
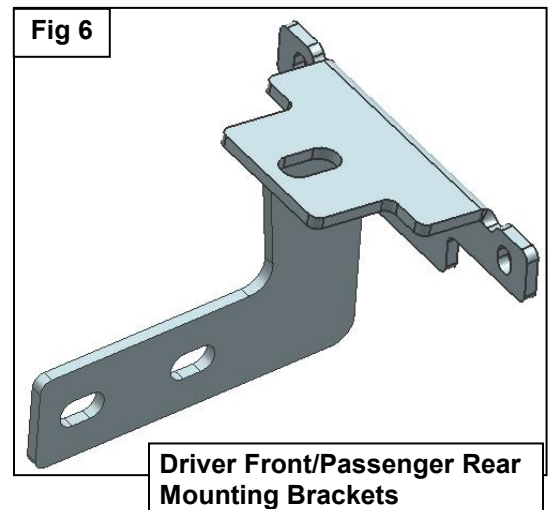
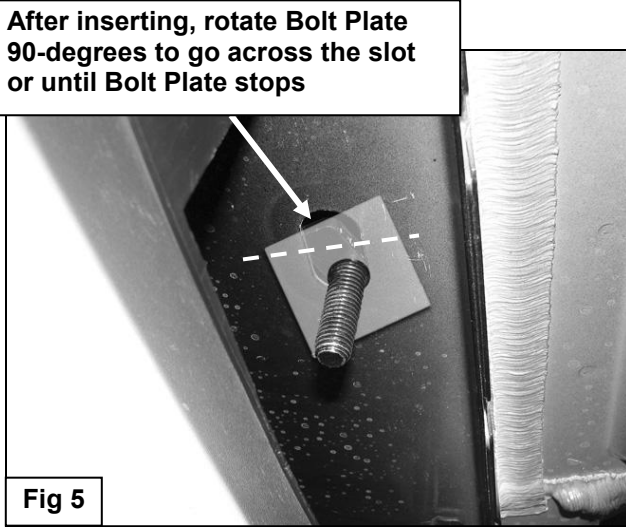
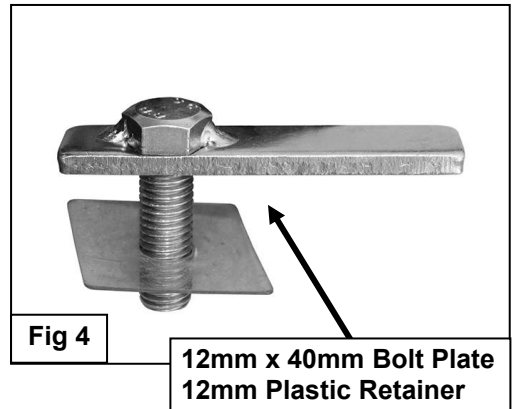
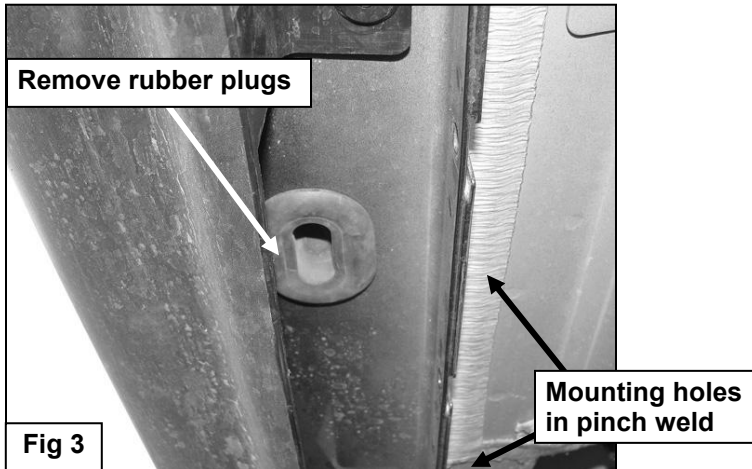


(Fig 1) Driver/left front mounting location pictured

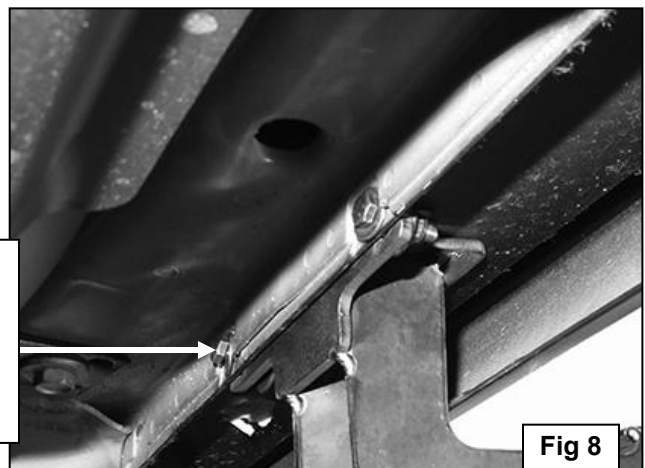


(Fig 2) Driver/left rear mounting location pictured

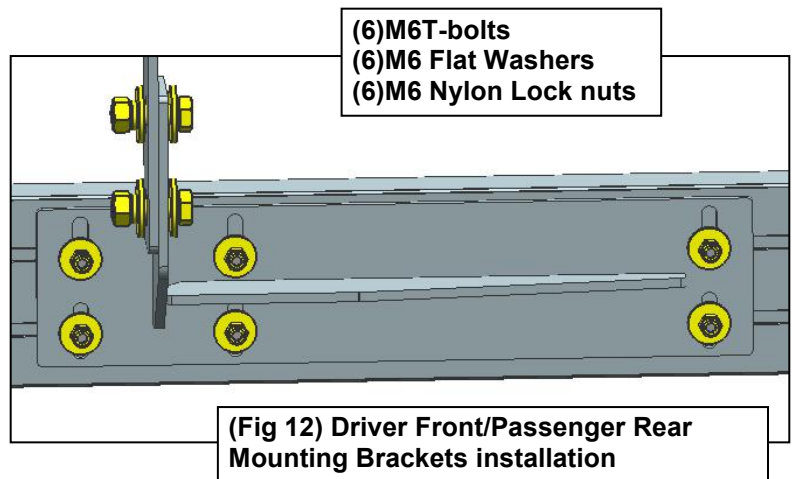
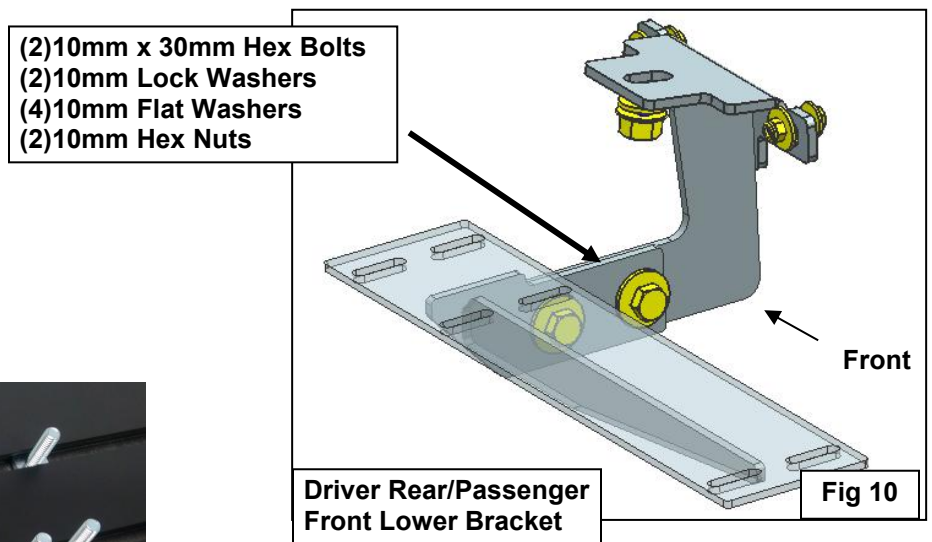
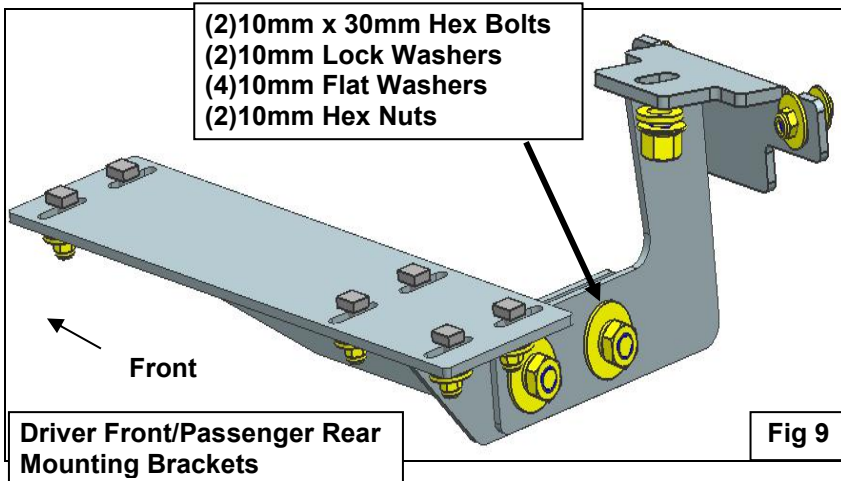
Driver Side Installation Pictured



- 6mm x 25mm Hex Bolts
- 6mm x 22mm Large Flat Washers (outside)
- 6mm x 18mm STD Flat Washers (inside)
- 6mm Nylon Lock Nuts

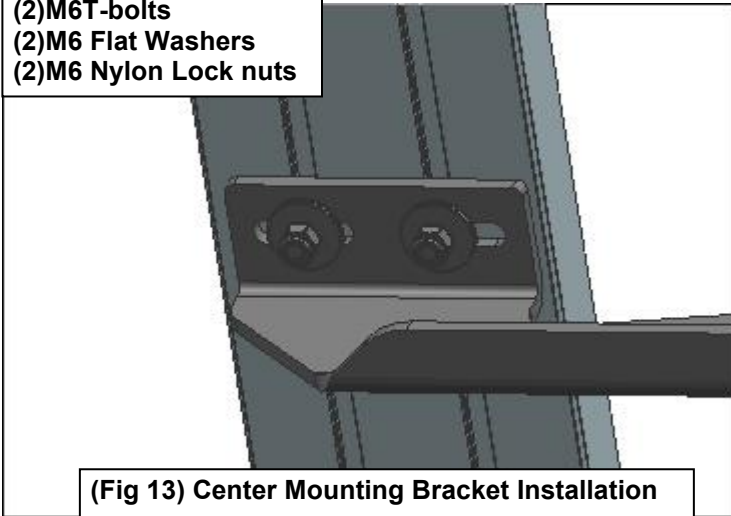


Driver Side Installation Pictured



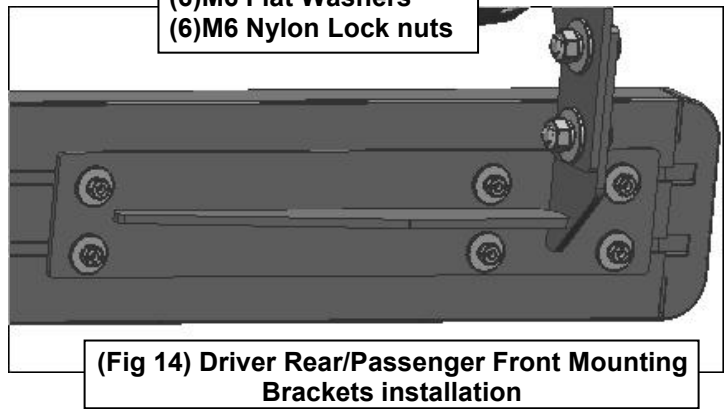
Driver Side Installation Pictured

- (2)M6T-bolts
- (2)M6 Flat Washers
- (2)M6 Nylon Lock nuts



(Fig 13) Center Mounting Bracket Installation

- (6)M6T-bolts
- (6)M6 Flat Washers
- (6)M6 Nylon Lock nuts



(Fig 14) Driver Rear/Passenger Front Mounting Brackets installation