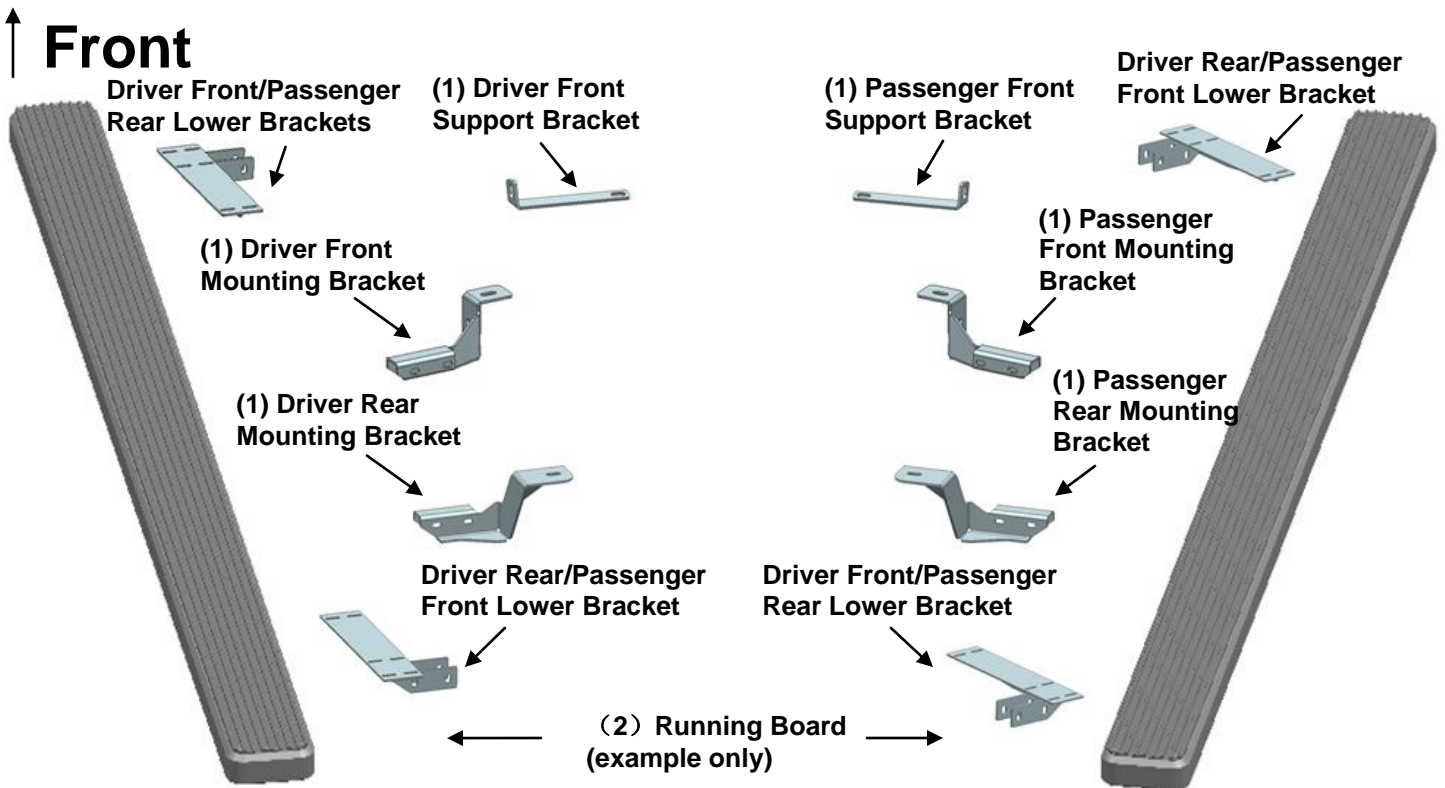


PARTS LIST:

Item	QTY	Description	Item	QTY	Description
#1	2	Running Board(use for left or right)	#12	8	12mm x 37mm OD x 3mm Flat Washers
#2	1	Driver/Left Front Mounting Bracket	#13	4	12mm Lock Washers
#3	1	Passenger/Right Front Mounting Bracket	#14	4	12mm Hex Nuts
#4	1	Driver/Left Rear Mounting Bracket	#15	8	10-80mm Hex Bolts
#5	1	Passenger/Right Rear Mounting Bracket	#16	8	10mm Hex Nuts
#6	1	Driver/Left Front Support Bracket	#17	16	10mm x 30mm OD x 2.5mm Flat Washers
#7	1	Passenger/Right Front Support Bracket	#18	8	10mm Lock Washers
#8	2	Driver Front/Passenger Rear Lower Brackets	#19	24	6-1.0mm x 20mm T-Bolts
#9	2	Driver Rear/Passenger Front Lower Bracket	#20	24	6mm x 18mm OD x 1.6mm Flat Washers
#10	2	12-1.75mm x 170mm Hex Bolts	#21	24	6mm Lock Nuts
#11	2	12-40mm Hex Bolts			



PROCEDURE:

- 1. REMOVE CONTENTS FROM BOX. VERIFY ALL PARTS ARE PRESENT. READ FACTORY BODY BOLT REMOVAL INSTRUCTIONS AND INSTALLATION INSTRUCTIONS CAREFULLY BEFORE STARTING INSTALLATION.**
- Remove the driver side front body mount bolt. Select the driver side front Mounting Bracket and hang it from the body mount using the factory bolt and washer, **(Figure 1)**.
- Select the driver side Support Bracket and bolt the flat end to the bottom of the frame with (1) 12mm x 170mm Hex Bolt and (1) 12mm Flat Washer inserted through the Support Bracket and up through the factory hole in the bottom and top of the frame and secure with (1) 12mm Flat Washer, (1) 12mm Lock Washer and (1) 12mm Hex Nut at the top of the frame, **(Figure 1)**. The bent end of the Support Bracket should line up with the slot in the front Mounting Bracket for the Running Board. Do not tighten hardware at this time.

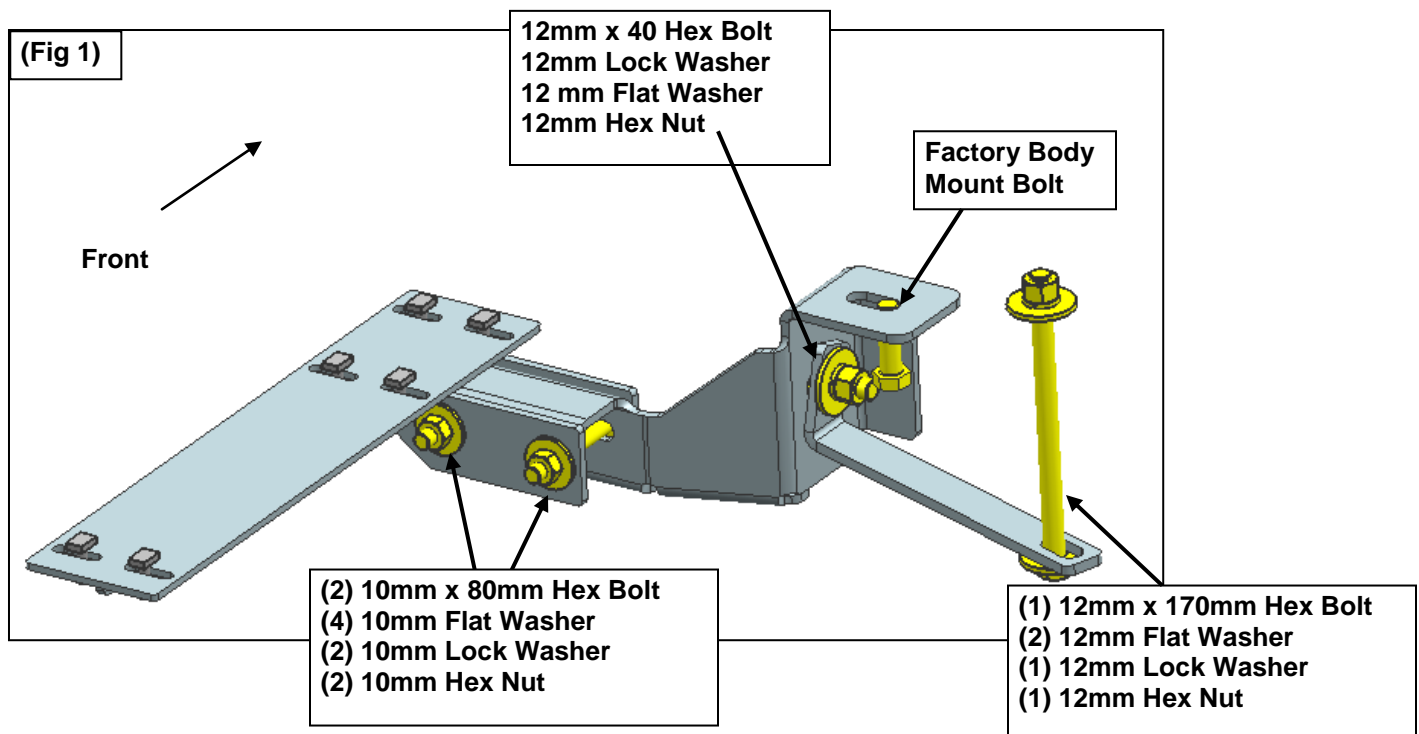
4. Select the Driver Front Mounting Bracket. Bolt the Driver Front Mounting Bracket to the Driver Front Support Bracket with (1) 12mm X40 Hex Bolt, (1) 12mm Lock Washer,(2) 12mm Flat Washer and (1) 12mm Hex Nut. Do not tighten hardware at this time. **(Figure 1)**
5. Select the Driver Front/Passenger Rear Lower Brackets. Bolt Driver Front/Passenger Rear Lower Brackets to Driver Front Mounting Bracket with (2)10mm x 80 Hex Bolt, (2) 10mm Lock Washer,(4) 10mm Flat Washer and (2) 10mm Hex Nut. Do not tighten hardware at this time. **(Figure 1)**
6. Remove the driver side rear body mount bolt. Select the driver side rear Mounting Bracket and hang it from the body mount using the factory bolt and washer, **(Figure 2)**.
7. Select Driver Rear/Passenger Front Lower Bracket. Bolt Driver Rear/Passenger Front Lower Bracket to Driver Rear Mounting Bracket with (2)10mm x 80 Hex Bolt, (2) 10mm Lock Washer, (4) 10mm Flat Washer and (2) 10mm Hex Nut. Do not tighten hardware at this time. **(Figure 2)**.
8. Select a Running Board. Slip(12) 6mm T-bolts into each bottom channel**(Figure 3)**. Carefully position the Running Board onto the (2) Mounting Brackets. **IMPORTANT:** Do not slide, (front to back), the Running Board on the Brackets or damage to the finish may result. Attach the Running Board to the Mounting Brackets with (6) 6mm T-bolts,(6)6mm flat washers and (6)6mm lock nuts **(Figures 4)**. Do not tighten at this time.
9. Level and adjust the running board, and tighten all hardware. Check all mounting locations for clearance between factory steel body mount brackets and Mounting Brackets. Once satisfied with fit, fully tighten all hardware.
10. Repeat **Steps 1—9** for passenger running board installation.
11. Do periodic inspections to the installation to make sure that all hardware is secure and tight.

To protect your investment, wax this product after installing. Regular waxing is recommended to add a protective layer over the finish. Do not use any type of polish or wax that may contain abrasives that could damage the finish.

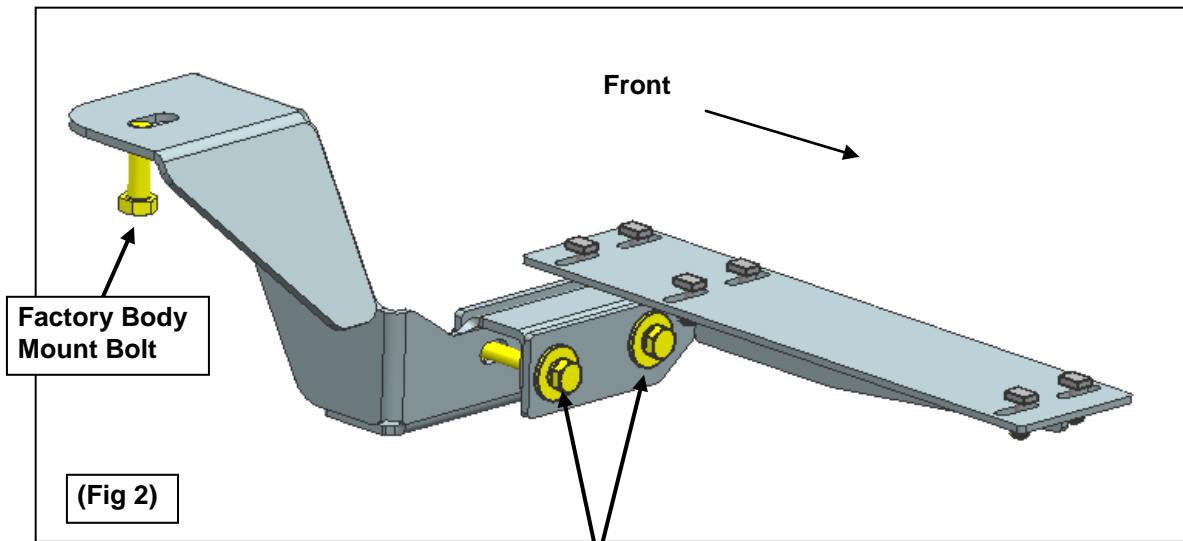
For Polished Finishes: Aluminum polish may be used to polish small scratches and scuffs on the finish. Mild soap may be used also to clean the Running Board.

For Black Finishes: Mild soap may be used to clean the Running Board.

Driver Side Installation Pictured



Driver Side Installation Pictured



- (2) 10mm x 80mm Hex Bolt
- (4) 10mm Flat Washer
- (2) 10mm Lock Washer
- (2) 10mm Hex Nut

(Fig 3) Slip 6mm T-bolts into the bottom channel



- (6) 6mm T-bolts
- (6) 6mm Flat Washers
- (6) 6mm Lock nuts

