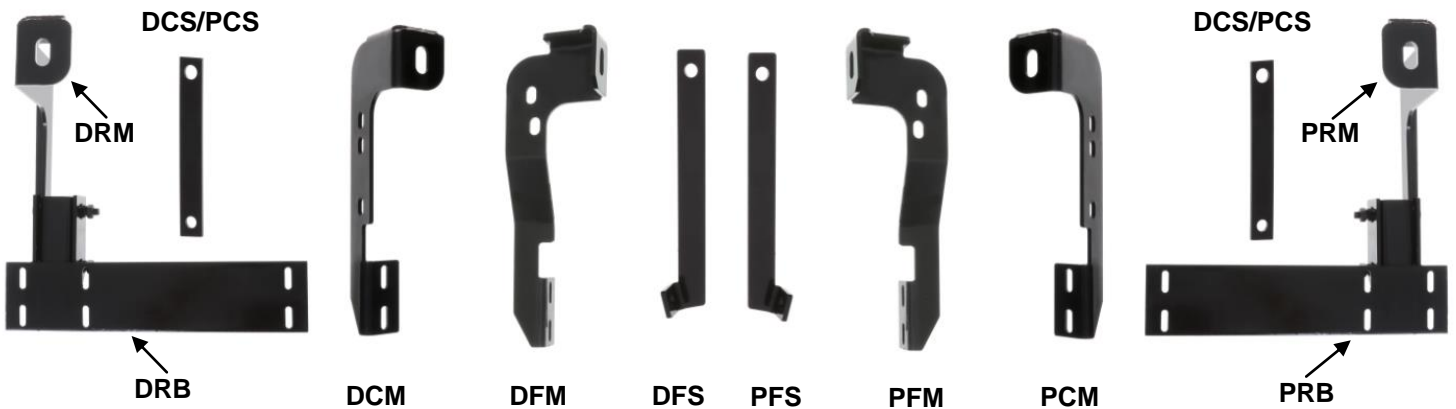
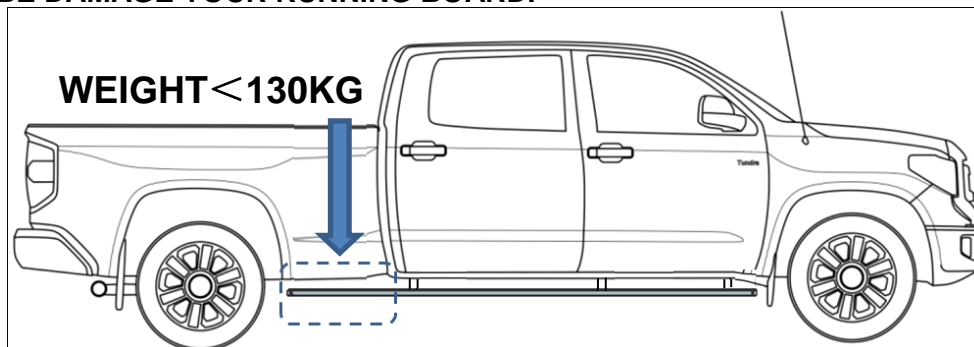


PARTS LIST:

Item	QTY	Description	Item	QTY	Description
#01	2	Running Board(use for left or right)	#14	2	M12 Hex Bolts
#02	1	Driver/Left Front Mounting Bracket (DFM)	#15	4	M12 Flat Washers
#03	1	Driver/Left Front Support Bracket (DFS)	#16	2	M12 Lock Washers
#04	1	Passenger/Right Front Mounting Bracket (PFM)	#17	2	M12 Hex Nuts
#05	1	Passenger/Right Front Support Bracket (PFS)	#18	6	M10X1.5-30 Hex Bolts
#06	1	Driver/Left Side Center Mounting Bracket (DCM)	#19	4	M10X1.5-80 Hex Bolts
#07	1	Passenger/Right Side Center Mounting Bracket (PCM)	#20	18	M10 Flat Washers
#08	2	Center Support Brackets (DCS/PCS)	#21	10	M10 Lock Washers
#09	1	Driver/Left Rear Mounting Bracket (DRM)	#22	8	M10 Hex Nuts
#10	1	Passenger/Right Rear Mounting Bracket (PRM)	#23	20	M6 T-Bolts
#11	1	Driver Rear Lower Mounting Bracket (DRB)	#24	20	M6 Flat Washers
#12	1	Passenger Rear Lower Mounting Bracket (PRB)	#25	20	M6 Nylon Lock Nuts
#13	2	M10 Nut Plates			



IMPORTANT ALERT: FOR WHEEL TO WHEEL APPLICATION, WEIGHT TO THE REAR END AREA OF THE RUNNING BOARD BEHIND THE LAST BRACKET NEED TO LESS THEN 130KG.OVERWEIGHT IN THIS AREA MAYBE DAMAGE YOUR RUNNING BOARD.



PROCEDURE:

REMOVE CONTENTS FROM BOX. VERIFY ALL PARTS ARE PRESENT. READ FACTORY BODY BOLT REMOVAL INSTRUCTIONS AND INSTALLATION INSTRUCTIONS CAREFULLY BEFORE STARTING INSTALLATION.

1. Start the installation under the passenger side of the vehicle. Remove the front body mount bolt, (Figure 1). Do not remove rubber bushings.

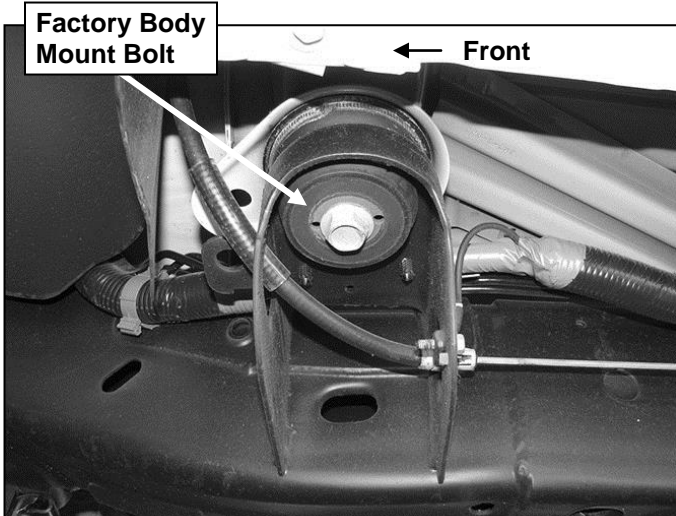
2. Attach the passenger side front mounting Bracket to the body mount reusing the factory hex bolt, **(Figures 2 & 3)**. Do not tighten hardware at this time.
 3. Locate the two factory holes in the bottom of the frame towards the front of the vehicle, **(Figure 4)**. Insert (1) M10 Nut Plate, **(Figure 5)**, into the oval hole and line up the threaded nut with the forward round hole, **(Figure 4)**. **NOTE:** Nut Plate and Support Brackets are not required on **2011-14 25-3500** models.
 4. Attach the flat end of the passenger side front Support Bracket to the Nut Plate with (1) M10 Hex Bolt, (1) M10 Lock Washer and (1) M10 Flat Washer, **(Figures 6 & 7)**. Do not tighten hardware at this time.
- Up to 2010 25-3500 Models-Support Bracket not required on 2011-14 25-3500 Models:**
Note that the Front Support Bracket will not reach up to the Mounting Bracket, **(Figure 7)**. Tighten the Support Bracket to the Nut Plate in the frame. Carefully push up on the Support Bracket until it reaches the inside hole in the Mounting Bracket. Bolt the Support Bracket to the hole in the Mounting Bracket with (1) M10 Hex Bolt, (2) M10 Flat Washers, (1) M10 Lock Washer and (1) M10 Hex Nut, **(Figures 7 & 8)**. Do not tighten at this time.
5. Move to the center body mount and remove the factory bolt. Select the passenger side center Bracket, **(Figure 2)**. Repeat **Steps 1 & 2** to attach the center Bracket, **(Figures 9 & 10)**.
 6. Next, select (1) Center Support Bracket. **IMPORTANT:** Center Support Brackets are not required on **2011—14 25-3500** Models. Note the two different sizes of mounting holes in the Support Bracket. Slide the end of the Center Support Bracket with the larger mounting hole between the factory body mount and the center Bracket, **(Figures 9 & 10)**. Attach the Support Bracket to the holes in the side of the body mount with (1) M12 Hex Bolt, (2) M12 Flat Washers, (1) M12 Lock Washer and (1) M12 Hex Nut. Do not tighten at this time.
 7. Attach the opposite end of the Support Bracket to the front of the Center Bracket with (1) 10mm Hex Bolt, (2) 10mm Flat Washers, (1) 10mm Lock Washer and (1) 10mm Hex Nut, **(Figures 9 & 10)**. Do not tighten at this time.
 8. Continue on to the rear body mount. Repeat **Steps 1 & 2** to attach the passenger side rear Mounting Bracket to the body mount, **(Figure 11)**. Select the passenger rear lower bracket, bolt to the upper bracket with (2)M10-80mm Hex bolts,(2)M10 lock washers,(4)M10 flat washers and (2)M10 Hex Nuts. **(Figure 12)** .Do not tighten hardware at this time.
 9. Select the Running Board. Slip (10) M6 T-Bolts into each bottom channel **(Figure 13)**. Carefully position the Running Board onto the Mounting Brackets. Attach the Running Board to the Front& Center Mounting Brackets with (2) M6 T-bolts,(2)M6 flat washers and (2)M6 nylon lock nuts, to Rear bracket with (6) M6 T-bolts,(6)M6 flat washers and (6)M6 nylon lock nuts **(Figure 14&15)**. Do not tighten hardware at this time
 10. Level and adjust the Running Board and fully tighten all hardware.
 11. Repeat **Steps 1—10** for driver side Running Board installation.
 12. Do periodic inspections to the installation to make sure that all hardware is secure and tight.

To protect your investment, wax this product after installing. Regular waxing is recommended to add a protective layer over the finish. Do not use any type of polish or wax that may contain abrasives that could damage the finish.

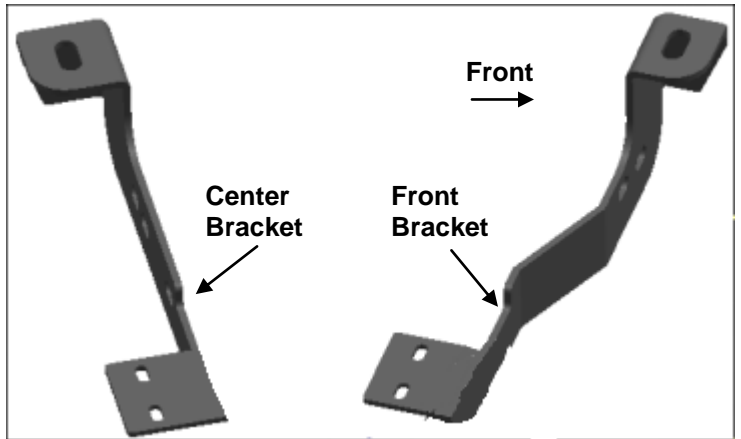
For Polished Finishes: Aluminum polish may be used to polish small scratches and scuffs on the finish. Mild soap may be used also to clean the Running Board.

For Black Finishes: Mild soap may be used to clean the Running Board.

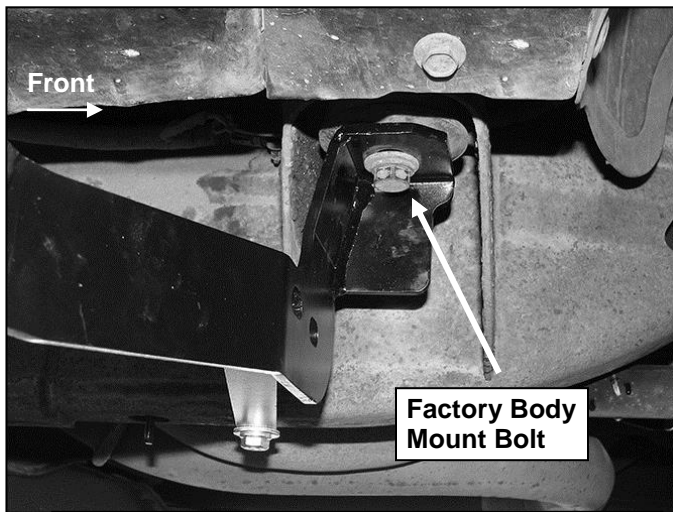
Passenger Side Installation Pictured



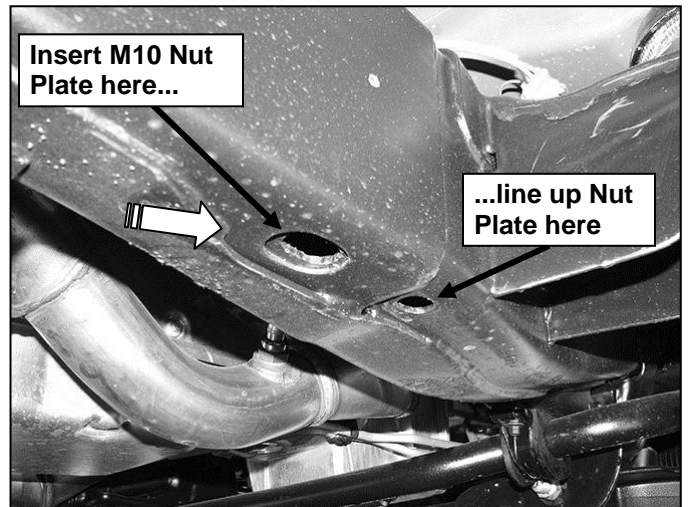
(Fig 1) Driver side front mounting bracket pictured



(Fig 2) Passenger side front and center Brackets



(Fig 3) Passenger/right front Bracket installed

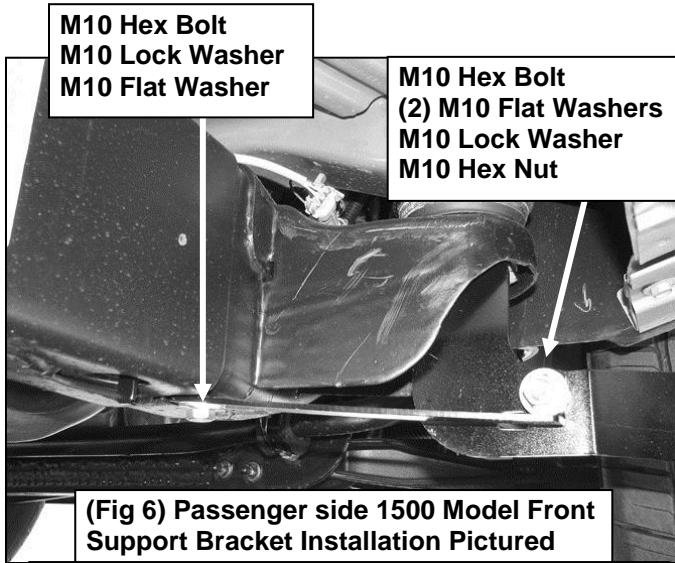


(Fig 4) Bottom of frame on passenger side

NOTE: Support Brackets not required on 2011-14 25-3500 Models

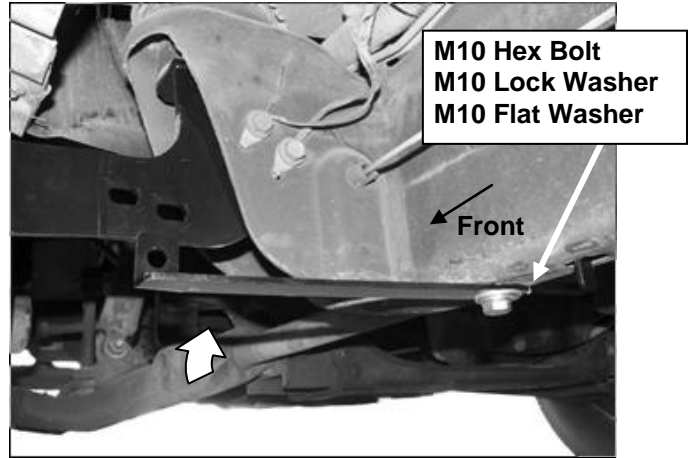


(Fig 5) 10mm Nut Plate

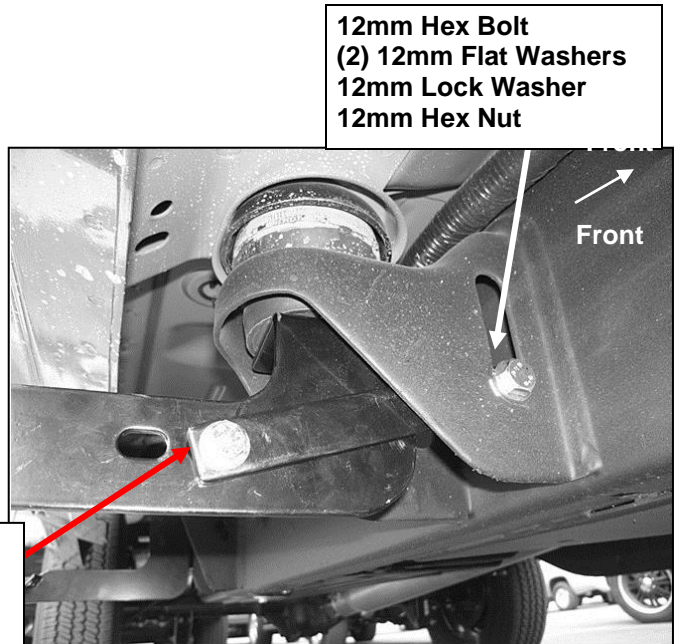
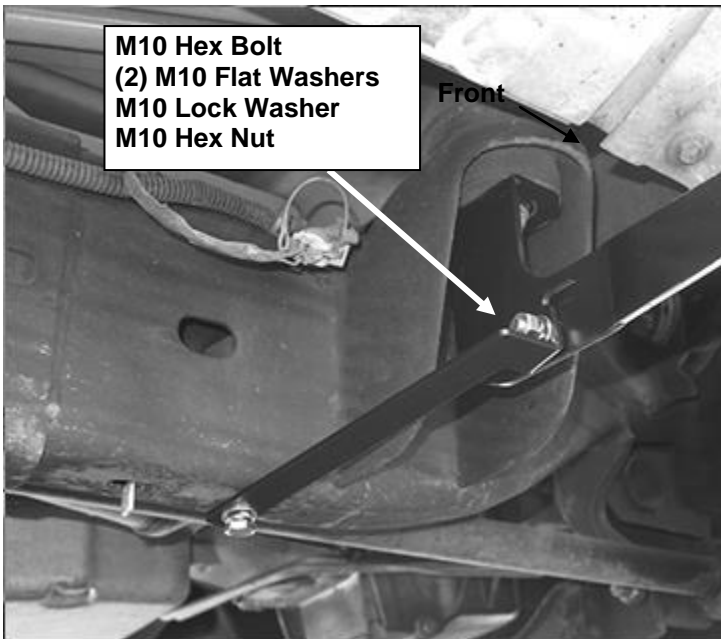


IMPORTANT NOTE:
 Bend Support Bracket up by hand to meet the inner hole in the Front Mounting Bracket

NOTE: Support Bracket not required on 2011-14 25-3500 Models

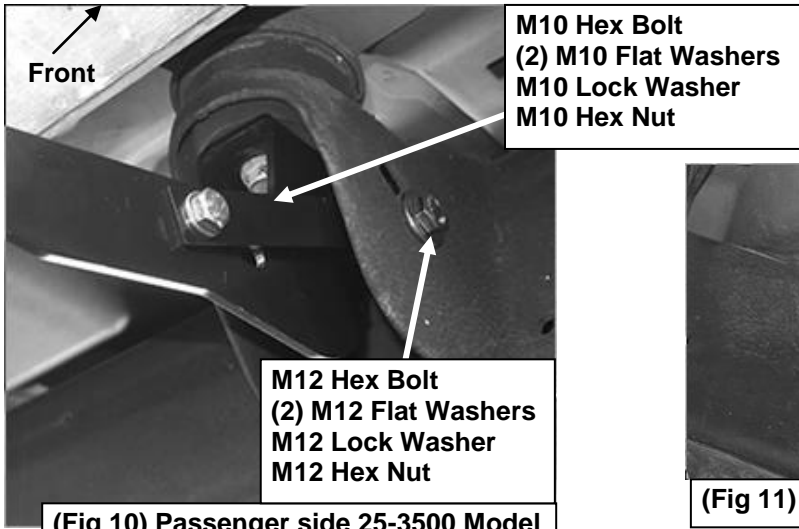


NOTE: Support Brackets not required on 2011-14 25-3500 Models



M10 Hex Bolt
(2) M10 Flat Washers
M10 Lock Washer
M10 Hex Nut

Passenger Side Installation Pictured



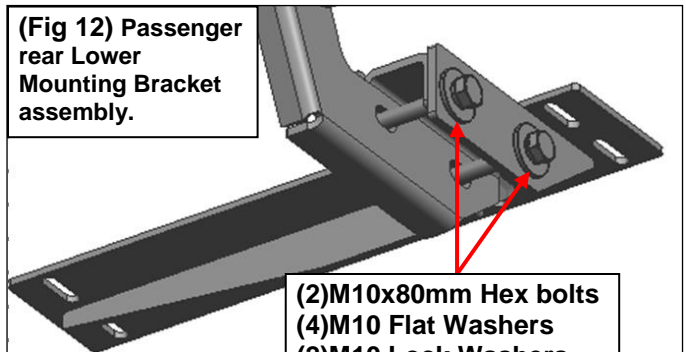
(Fig 10) Passenger side 25-3500 Model Center Support Bracket Installation



(Fig 11) Passenger side Rear Bracket Installation

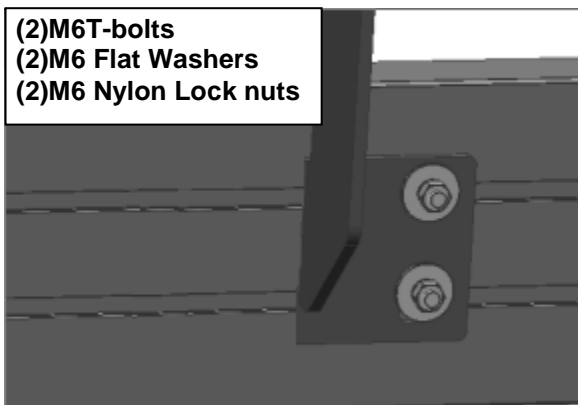


(Fig 13) Slip M6 T-bolts into the bottom channel



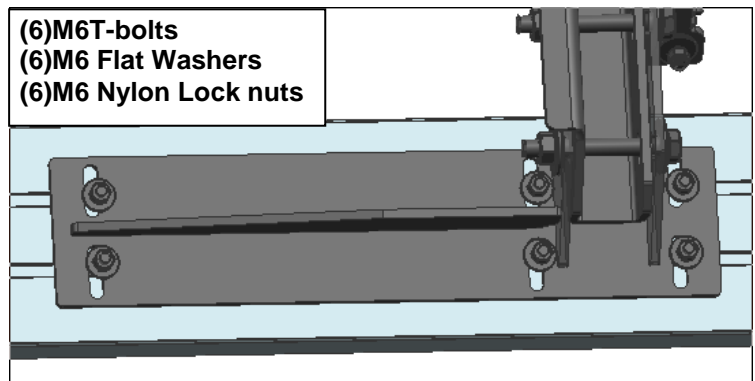
(Fig 12) Passenger rear Lower Mounting Bracket assembly.

- (2)M10x80mm Hex bolts
- (4)M10 Flat Washers
- (2)M10 Lock Washers
- (2)M10 Hex Nuts



- (2)M6T-bolts
- (2)M6 Flat Washers
- (2)M6 Nylon Lock nuts

(Fig 14)Front & Center Bracket Installation



- (6)M6T-bolts
- (6)M6 Flat Washers
- (6)M6 Nylon Lock nuts

(Fig 15) Rear Bracket Installation