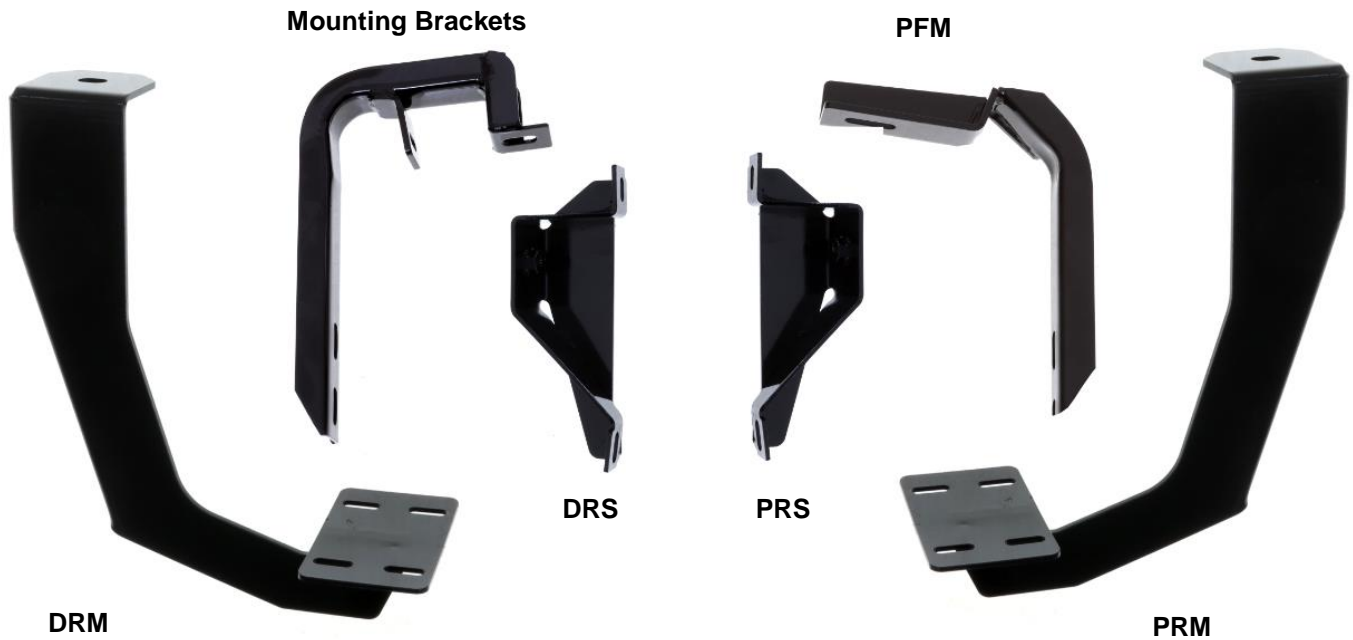


PARTS LIST:

Item	QTY	Description	Item	QTY	Description
#1	2	Running Board(use for left or right)	#14	1	M8x1.25 Hex Nuts
#2	1	Passenger/right Front Bracket (PFM)	#15	9	M8 Lock Washer
#3	3	Mounting Brackets	#16	7	M8 Clip-On Nuts
#4	1	Passenger Front Lower Bracket (PRS)	#17	2	M12 x 1.75-60 Hex Bolt
#5	1	Driver Front Lower Bracket (DRS)	#18	2	M12 Large Flat Washer
#6	1	Passenger Front Lower Bracket (PRS)	#19	2	M12x35 Bolt Plate
#7	1	Driver Front Lower Bracket (DRS)	#20	2	12mm Plastic Retainer
#8	2	Sleeve Washer	#21	4	M12 Flat Washer
#9	8	M8 x 1.25-25 Hex Bolt	#22	4	M12 Lock Washer
#10	1	M8 x 1.25-35 Hex Bolt	#23	2	M12 Hex Nut
#11	2	M8 x 1.25-30 Hex Bolt	#24	16	M6 x 20mm T-Bolts
#12	11	M8 Flat Washer	#25	16	M6 Flat Washers
#13	1	30X25X3mm SQ Spacer	#26	16	M6 Nylon Lock Nuts



PROCEDURE:

REMOVE CONTENTS FROM BOX. VERIFY ALL PARTS ARE PRESENT. READ INSTRUCTIONS CAREFULLY BEFORE STARTING INSTALLATION. ASSISTANCE IS RECOMMENDED. ON MODELS WITH DEF TANK, SELECT A FLAT, LEVEL AREA FOR INSTALLATION.

1. Start the installation under the driver side of the vehicle. Locate the tabs along the bottom edge of the body, (pinch weld). Mounting Brackets will bolt to the front and rear mounting tabs approximately 23-3/4" apart, **(Figure 1)**. Directly above each tab is a top mounting location on the side of the body panel. Hold a Bracket and/or Running board up in place to help determine the mounting holes to use along the body.

2. Determine the correct procedure for your model year and each Bracket location.

Bottom mounting location on the edge of the pinch weld.

Flat tab on pinch weld with factory installed weld nut:

Thread hex bolt into weld nut from the backside-down to clear paint from threads, **(Figure 2)**.

Flat tab on pinch weld with hole:

Select (1) 8mm Clip Nut. Slide the Clip Nut over the tab with the nut facing up behind the tab, **(Figures 3—5)**. Line up threaded nut with hole in tab. Repeat for each mounting location.

Top mounting location on the side of the body panel.

Models with factory installed threaded insert in body panel:

Thread 8mm Hex Bolt into threaded insert to clear paint as required, **(Figures 2 & 3)**.

Large and small hole in side of body panel:

Remove the rubber plug from the larger hole, **(Figure 4)**. Select (1) 8mm Clip Nut. Slide the Clip Nut into the larger hole. Line up the threaded nut with the smaller hole, **(Figure 5)**.

3. Select (1) Mounting Bracket. **NOTE:** Bolt the Mounting Bracket to the Clip Nuts and/or the factory threaded holes with (2) 8mm Hex Bolts, (2) 8mm Lock Washers and (2) 8mm Flat Washers, **(Figures 6 & 7)**. Snug but do not fully tighten the hardware.
4. Repeat **Steps 1—3** to install the remaining driver side Brackets, **(Figure 7)**.
5. Move to driver side Wheel to wheel location, directly behind the cab, underneath the bed locate the beam that mounts the bed to the frame. There will be 2 pre-existing bolts. remove both factory M8 and M12 hardware**(Figure 7A)**. Select a driver rear isolator bracket, both to the frame with include (1) M8x35mm Hex Bolt,(1)8mm Lock Washer, (1)8mm Flat Washer, and(1) 12mm x 29mm x 5mm Thick Spacer. **HINT:** re-used M12 factory bolts **(Figure 7B)**. Snug but do not fully tighten the hardware.
6. Attach the Driver rear lower bracket and Sleeve Washer to the isolator bracket with (1)M12x60mm Hex bolt, (1)12mm Flat Washer and (1)12mm Lock Washer**(Figure 7B)**. Snug but do not fully tighten the hardware.
7. Select the Running Board. Slip (8) 6mm T-Bolts into each bottom channel **(Figure 12)**. Carefully position the Running Board onto the (3) Mounting Brackets. **IMPORTANT:** Do not slide the Running Board on the Brackets or damage to the finish may result. Attach the Running Board to the Front& Center Mounting Brackets with (2) M6 T-bolts,(2)M6 flat washers and (2)M6 nylon lock nuts**(Figure13)**, to rear bracket with (4) M6 T-bolts,(4)M6 flat washers and (4)M6 nylon lock nuts **(Figure14)**. Do not tighten hardware at this time.
8. Level and adjust the Running Board and tighten all hardware.
9. Move to the passenger side of the vehicle. On the passenger side, determine if the vehicle is equipped with a plastic diesel exhaust fluid (DEF) tank, **(Figures 8 & 9)**.

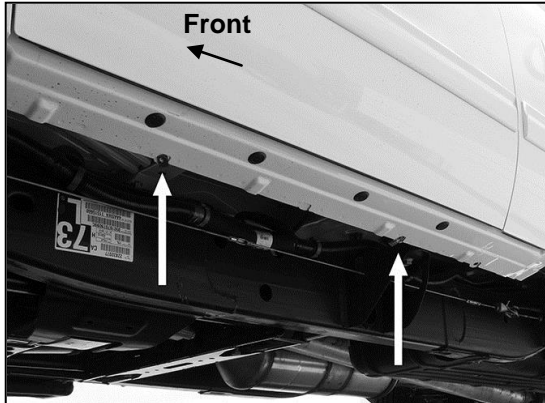
Models without DEF tank, skip to Step 8.

Models with DEF tank: The tank sits close to the side of the body. With specialized tools, the passenger front upper and lower Bracket can be installed but room is limited. It may be easier to drop the tank down to access the inner side of the body panel for upper bracket installation. Tank will not need to be removed, only dropped down for access to mounting location. **IMPORTANT:** If tank is full, it will be very heavy and assistance is highly recommended to avoid injury or damage to the vehicle or the tank. It is recommended that installation is performed when the DEF tank is low on fluid before dropping the tank.

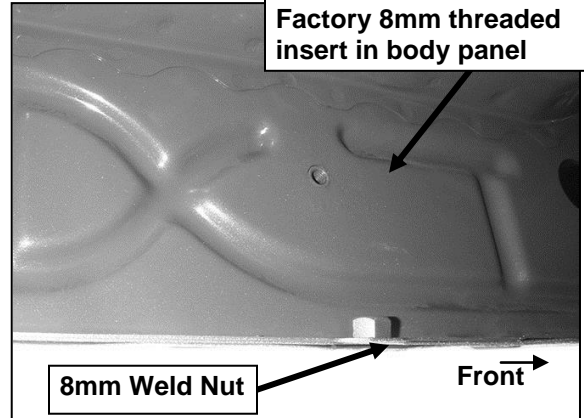
- a. On models with plastic lower tray under the tank, remove the (3) hex bolts attaching the tray to the frame, **(Figure 8)**, and remove the tray.
 - b. Release the tank filler hose. Release the plug for the sending unit on the top of the tank.
 - c. Support the tank with a floor jack. Place a smooth flat surface, (wooden block for example), between the floor jack and the tank to avoid damaging the plastic tank. Do not push up on the tank; only support the weight of the tank with the jack.
 - d. Remove the (2) bolts securing the tank straps to the vehicle, **(Figure 9)**. Tilt the straps to release from the brackets. Slowly lower the tank until the top of the tank is almost visible. Use blocks or stands to support the tank while installing the front Upper and Lower Brackets.
 - e. Proceed to **Step 8**.
10. Attach the passenger Front Bracket to the vehicle: pinch weld and top panel **(Figures 10 & 11)**.
 - a. **Models with a weld-nut:** see Figure11. Leave loose at this time.
 - b. **Models with flat tab and hole:** see Figure 12. Leave loose at this time.
 11. Repeat **Steps 4-7** to install the passenger Side Step.
 12. Once the Side Steps are installed and all hardware fully tightened, reinstall the DEF tank and cover, if equipped, as described in **Step 7**.

13. Do periodic inspections to the installation to make sure that all hardware is secure and tight.
To protect your investment, wax this product after installing. Regular waxing is recommended to add a protective layer over the finish. Do not use any type of polish or wax that may contain abrasives that could damage the finish.
For Polished Finishes: Aluminum polish may be used to polish small scratches and scuffs on the finish. Mild soap may be used also to clean the Running Board.
For Black Finishes: Mild soap may be used to clean the Running Board.

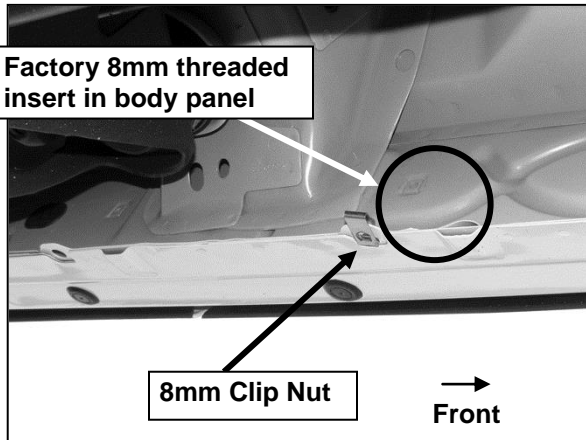
Driver/Left Side Installation Pictured



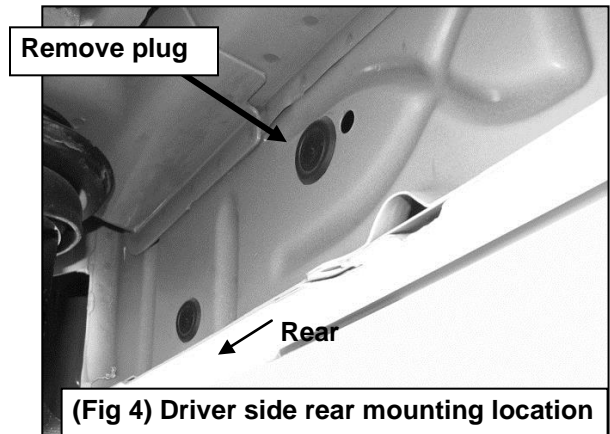
(Fig 1) Driver side (2) mounting locations



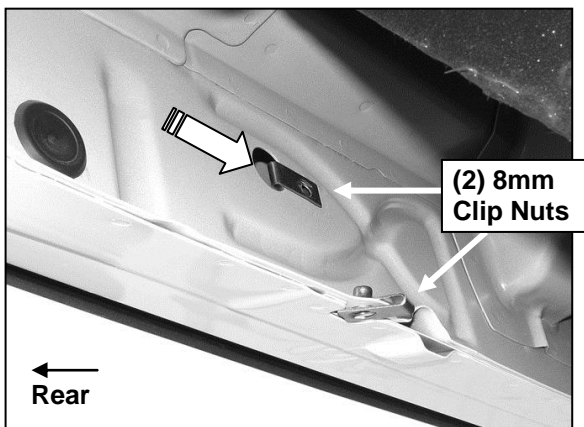
(Fig 2) Passenger side front mounting location



(Fig 3) Driver side 2nd mounting location



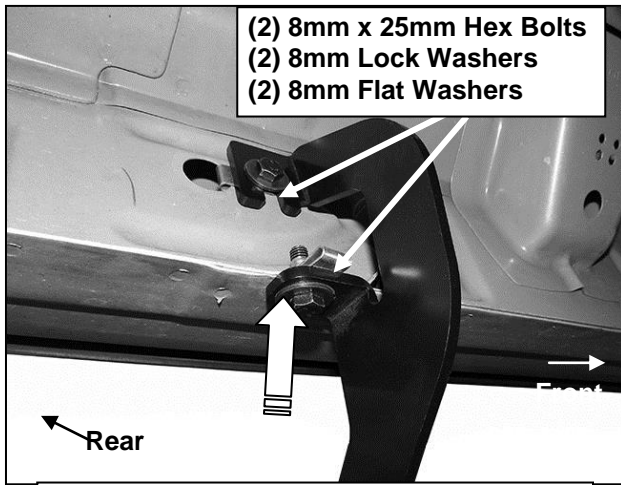
(Fig 4) Driver side rear mounting location



(Fig 5) Driver side rear mounting location



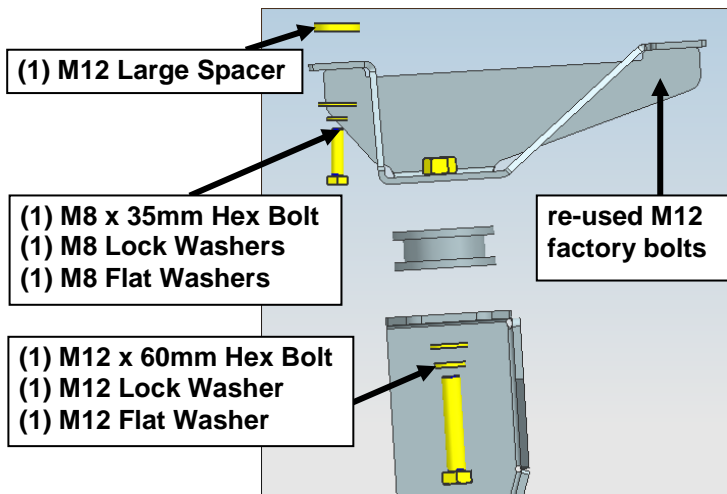
(Fig 6) Driver/left front bracket installed



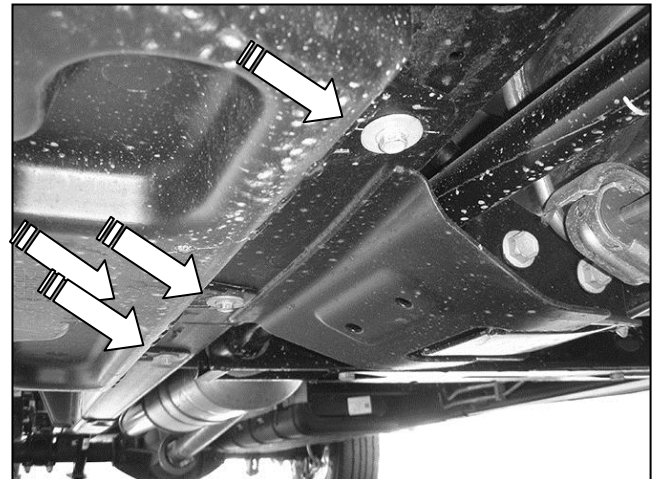
(Fig 7) Driver/left center bracket installed



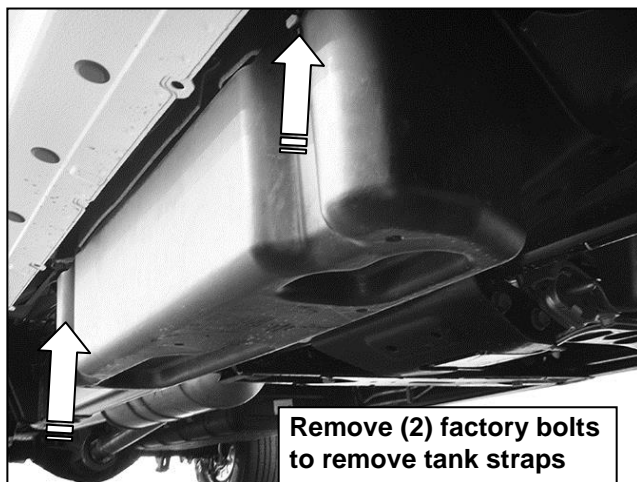
(Fig 7A) WTW Driver Rear Isolator bracket location



(Fig 7B) WTW Driver Rear Isolator & lower bracket installed

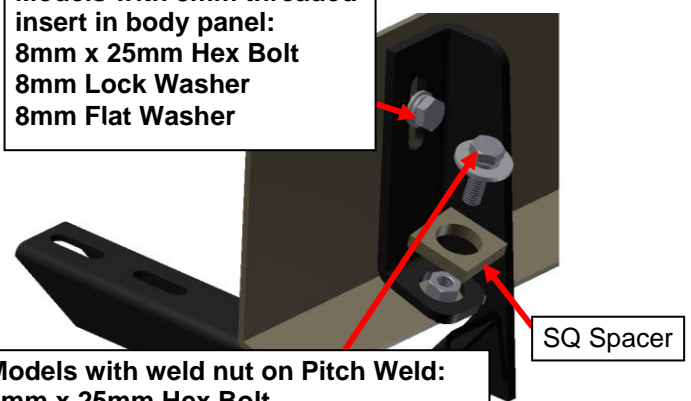


(Fig 8) Passenger side front pictured with DEF tank cover. Remove (3) hex bolts to remove cover



(Fig 9) Passenger side DEF tank and cover

Models with 8mm threaded insert in body panel:
 8mm x 25mm Hex Bolt
 8mm Lock Washer
 8mm Flat Washer



Models with weld nut on Pitch Weld:
 8mm x 25mm Hex Bolt
 8mm Lock Washer
 8mm Flat Washer
 to attach Bracket to weld nut

(Fig 10) Passenger Front Bracket over weld nut if equipped-also see Figure 2

**Models with hole on Rocker Panel:
8mm Clip-Nut
8mm Flat Washer
8mm Lock Washer
8mmX25mm Hex Bolt**

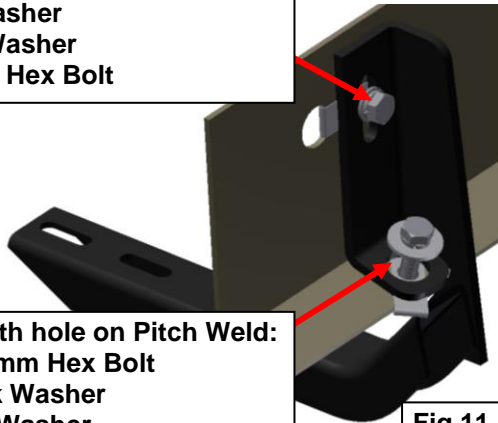


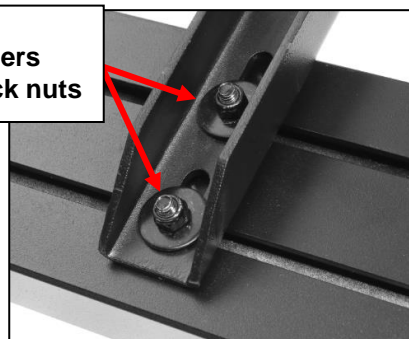
Fig 11

**Models with hole on Pitch Weld:
8mm x 25mm Hex Bolt
8mm Lock Washer
8mm Flat Washer**



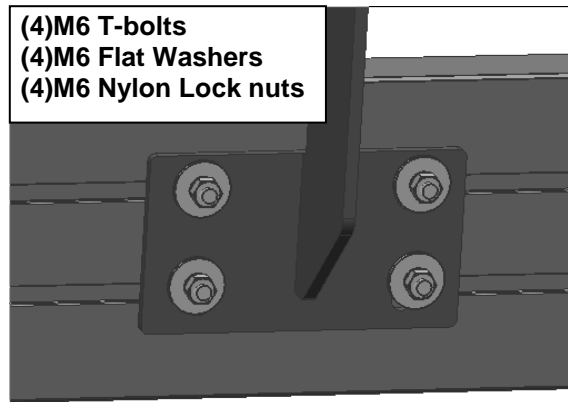
(Fig 12) Slip 6mm T-bolts into the bottom channel

**(2)M6 T-bolts
(2)M6 Flat Washers
(2)M6 Nylon Lock nuts**



(Fig 13) Front/Center bracket installed

**(4)M6 T-bolts
(4)M6 Flat Washers
(4)M6 Nylon Lock nuts**



(Fig 14) Rear bracket installed