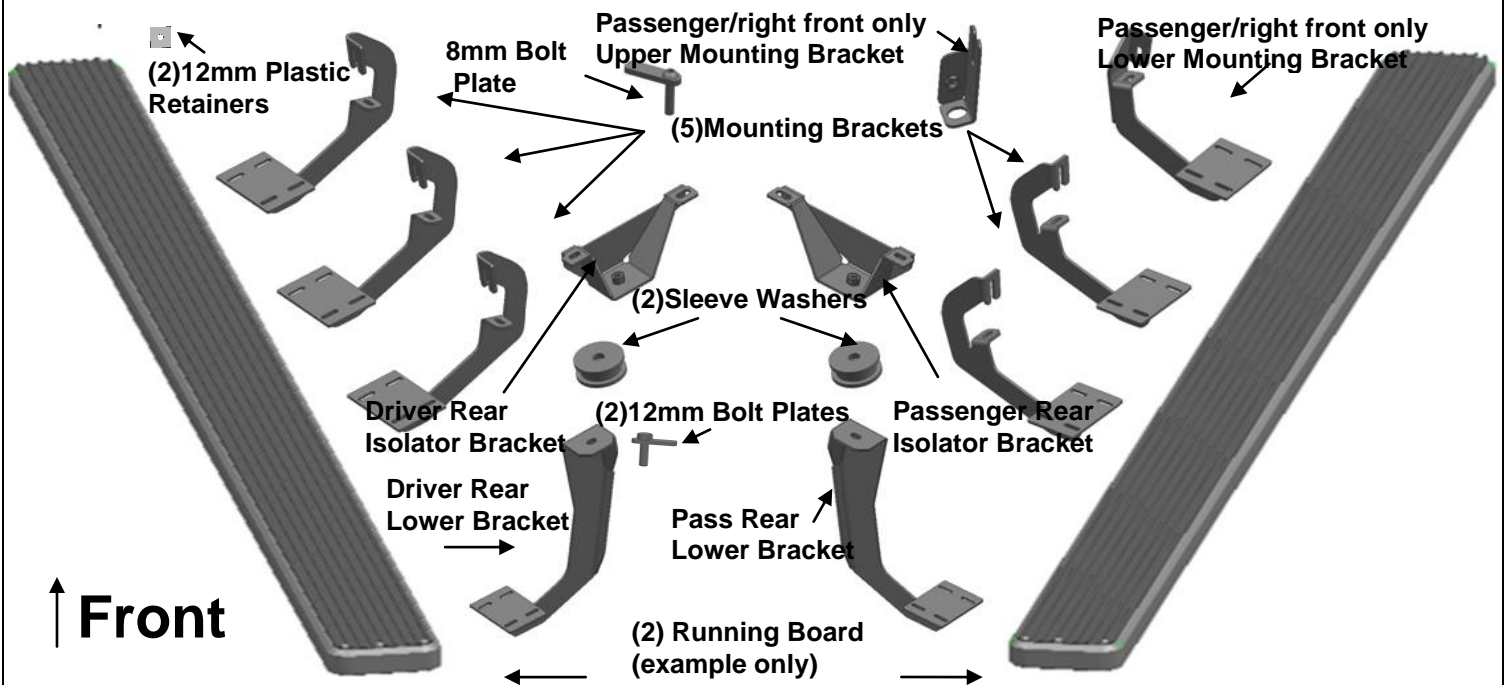
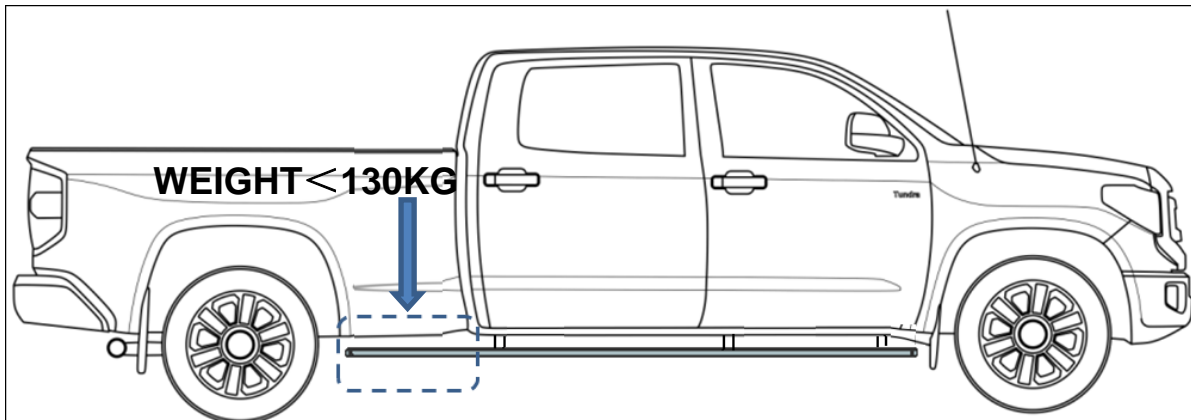


PARTS LIST:

Item	QTY	Description	Item	QTY	Description
#1	2	Running Board(use for left or right)	#14	2	8mm x 30mm Hex Bolts
#2	1	Passenger/right Front Upper Bracket (all incl. DEF)	#15	15	8mm x 24mm x 2mm Flat Washers
#3	1	Passenger/right Front Lower Bracket (all incl. DEF)	#16	11	8mm Clip-on Nuts
#4	5	Mounting Brackets	#17	4	12mm Lock Washers
#5	1	Driver Rear Isolator Bracket	#18	4	12mm x 29mm x 5mm Thick Spaces
#6	1	Passenger Rear Isolator Bracket	#19	2	12mm x 60mm Hex Bolts
#7	1	Driver Rear Lower Bracket	#20	4	12mm x 24mm x 2.5mm Flat Washers
#8	1	Passenger Rear Lower Bracket	#21	2	12mm Hex Nuts
#9	2	Sleeve Washers	#22	2	12mm Bolt Plates
#10	1	8mm Bolt Plate	#23	2	12mm Plastic Retainers
#11	1	8mm Nylon Lock Nut (use w-bolt plate)	#24	32	6-1.0mm x 20mm T-Bolts
#12	15	8mm Lock Washers	#25	32	6mm x 22mm x 2mm Flat Washers
#13	13	8mm x 25mm Hex Bolts	#26	32	6mm Nylon Lock Nuts



IMPORTANT ALERT: FOR WHEEL TO WHEEL APPLICATION, WEIGHT TO THE REAR END AREA OF THE RUNNING BOARD BEHIND THE LAST BRACKET NEED TO LESS THEN 130KG.OVERWEIGHT IN THIS AREA MAYBE DAMAGE YOUR RUNNING BOARD.



PROCEDURE:

REMOVE CONTENTS FROM BOX. VERIFY ALL PARTS ARE PRESENT. READ INSTRUCTIONS CAREFULLY BEFORE STARTING INSTALLATION. ASSISTANCE IS RECOMMENDED. ON MODELS WITH DEF TANK, SELECT A FLAT, LEVEL AREA FOR INSTALLATION.

1. Start the installation under the driver side of the vehicle. Locate the 4 tabs along the bottom edge of the body, (pinch weld). Mounting Brackets will bolt to the 1st, 2nd, (just in front of center of cab), and 4th mounting tabs, **(Figure 1)**. Directly above each tab is a top mounting location on the side of the body panel. Hold a Bracket up in place to help determine the mounting holes to use along the body.
2. Determine the correct procedure for your model year and each Bracket location.

Bottom mounting location on the edge of the pinch weld.

Flat tab on pinch weld with factory installed weld nut:

Thread hex bolt into weld nut from the backside-down to clear paint from threads, **(Figure 2)**.

Flat tab on pinch weld with hole:

Select (1) 8mm Clip Nut. Slide the Clip Nut over the tab with the nut facing up behind the tab, **(Figures 3—5)**. Line up threaded nut with hole in tab. Repeat for each mounting location.

Top mounting location on the side of the body panel.

Models with factory installed threaded insert in body panel:

Thread 8mm Hex Bolt into threaded insert to clear paint as required, **(Figures 2 & 3)**.

Large and small hole in side of body panel:

Remove the rubber plug from the larger hole, **(Figure 4)**. Select (1) 8mm Clip Nut. Slide the Clip Nut into the larger hole. Line up the threaded nut with the smaller hole, **(Figure 5)**.

3. Select (1) Mounting Bracket. **NOTE:** Bolt the Mounting Bracket to the Clip Nuts and/or the factory threaded holes with (2) 8mm Hex Bolts, (2) 8mm Lock Washers and (2) 8mm Flat Washers, **(Figures 6)**. Snug but do not fully tighten the hardware.
4. Repeat **Steps 1—3** to install the (2) remaining driver side Brackets, **(Figure 6)**.
5. Move to driver side Wheel to wheel location, directly behind the cab, underneath the bed locate the beam that mounts the bed to the frame. There will be 2 pre-existing bolts. remove both factory M8 and M12 hardware**(Figure 7A)**. Select a driver rear isolator bracket, both to the frame with include (1) M8x35mm Hex Bolt,(1)8mm Lock Washer, (1)8mm Flat Washer, and(1) 12mm x 29mm x 5mm Thick Spacer. Snug but do not fully tighten the hardware.
On 07-17 MY: Re-used M12 factory bolts (Figure 7B).
On 2018 MY: Attach the bracket with (1)12mm Bolt Plate, (1) Plastic Retainer, (1) 12mm x 29mm x 2mm Flat Washer, (1)12mm x 24mm x 2.5mm Flat Washer, (1)12mm Lock Washer and (1) Hex Nut (Figure 7C).
6. Attach the Driver rear lower bracket and Sleeve Washer to the isolator bracket with (1)M12x60mm Hex bolt, (1)12mm Flat Washer and (1)12mm Lock Washer **(Figure 7B)**. Snug but do not fully tighten the hardware.
7. Select the Running Board. Slip (18) 6mm T-Bolts into each bottom channel **(Figure 16)**. Carefully position the Running Board onto the (4) Mounting Brackets. **IMPORTANT:** Do not slide the Running Board on the Brackets or damage to the finish may result. Attach the Running Board to the Mounting Brackets with (4) 6mm T-bolts,(4)6mm flat washers and (4)6mm lock nuts, **(Figure 17)**. Do not tighten hardware.
8. Level and adjust the Running Board and tighten all hardware.
9. Move to the passenger side of the vehicle. On the passenger side, determine if the vehicle is equipped with a plastic diesel exhaust fluid (DEF) tank, **(Figures 8 & 9)**.

Models without DEF tank, skip to Step 8.

Models with DEF tank: The tank sits close to the side of the body. With specialized tools, the passenger front upper and lower Bracket can be installed but room is limited. It may be easier to drop the tank down to access the inner side of the body panel for upper bracket installation. Tank will not need to be removed, only dropped down for access to mounting location. **IMPORTANT:** If tank is full, it will be very heavy and assistance is highly recommended to avoid injury or damage to the vehicle or the tank. It is recommended that installation is performed when the DEF tank is low on fluid before dropping the tank.

- a. On models with plastic lower tray under the tank, remove the (3) hex bolts attaching the tray to the frame, **(Figure 8)**, and remove the tray.

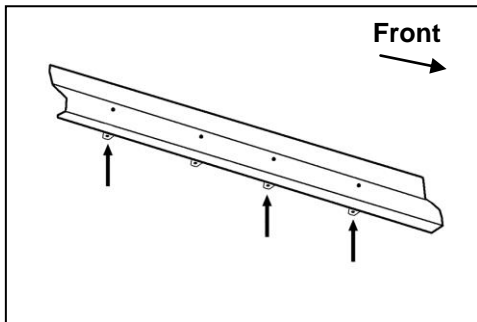
- b. Release the tank filler hose. Release the plug for the sending unit on the top of the tank.
 - c. Support the tank with a floor jack. Place a smooth flat surface, (wooden block for example), between the floor jack and the tank to avoid damaging the plastic tank. Do not push up on the tank; only support the weight of the tank with the jack.
 - d. Remove the (2) bolts securing the tank straps to the vehicle, (**Figure 9**). Tilt the straps to release from the brackets. Slowly lower the tank until the top of the tank is almost visible. Use blocks or stands to support the tank while installing the front Upper and Lower Brackets.
 - e. Proceed to **Step 8**.
10. Locate the first tab on the edge of the pinch weld on the passenger side, (**Figures 2—4, 11 & 13**). Select the Upper Bracket, (**Figure 10**). Repeat **Steps 2 & 3** to attach the passenger front Upper Bracket to the side of the body panel, (**Figure 11**). Do not tighten hardware at this time.
11. Line up the hole in the bottom of the Upper Bracket with the hole in the tab on the pinch weld.
- a. **Models with a weld-nut:** Slide the Bracket over the weld-nut, (**Figure 11**). Attach the Lower Bracket to the bottom of the body and weld-nut with (1) 8mm x 25mm Hex Bolt, (1) 8mm Lock Washer and (1) 8mm Flat Washer, (**Figures 14 & 15**). Leave loose at this time.
 - b. **Models with flat tab and hole:** Insert the 8mm Bolt Plate down through the hole in the Upper Bracket and mounting tab, (**Figures 12 & 13**). Attach the Lower Bracket to the bottom of the body and Bolt Plate with (1) 8mm Flat Washer and (1) 8mm Nylon Lock Nut, (**Figures 14 & 15**). Leave loose at this time.
12. Line up the side tab on the Lower Bracket with the threaded hole in the side of the Upper Bracket. Attach the Lower Bracket to the Upper Bracket with (1) 8mm x 25mm Hex Bolt, (1) 8mm Lock Washer and (1) 8mm Flat Washer, (**Figure 15**). Leave loose at this time. Repeat **Steps 1—3** for the (2) remaining passenger side Bracket installations, and repeat **Step 5-6** for bed bracket installation..
13. Repeat **Steps 7 & 8** to install the passenger running board, (**Figure 17**).
14. Once the running board are installed and all hardware fully tightened, reinstall the DEF tank and cover, if equipped, as described in **Step 9**.
15. Do periodic inspections to the installation to make sure that all hardware is secure and tight.

To protect your investment, wax this product after installing. Regular waxing is recommended to add a protective layer over the finish. Do not use any type of polish or wax that may contain abrasives that could damage the finish.

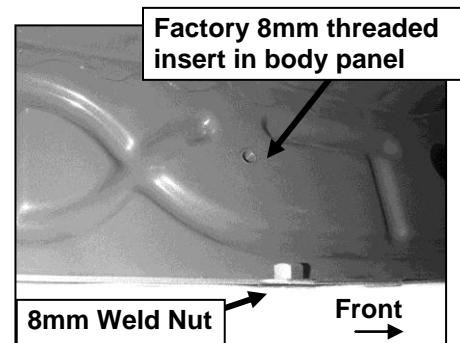
For Polished Finishes: Aluminum polish may be used to polish small scratches and scuffs on the finish. Mild soap may be used also to clean the Running Board.

For Black Finishes: Mild soap may be used to clean the Running Board.

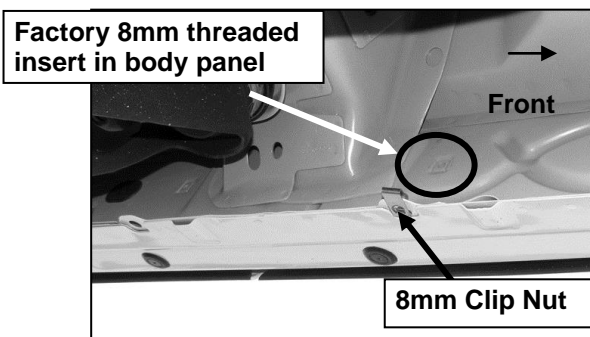
Driver/Left Side Installation Pictured



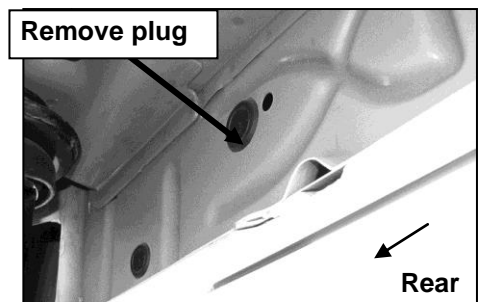
(Fig 1) Back of driver side (3) mounting locations



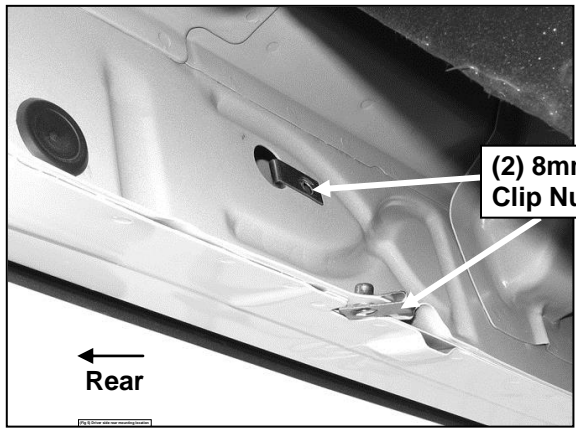
(Fig 2) Passenger side front mounting location



(Fig 3) Driver side 2nd mounting location



(Fig 4) Driver side rear mounting location

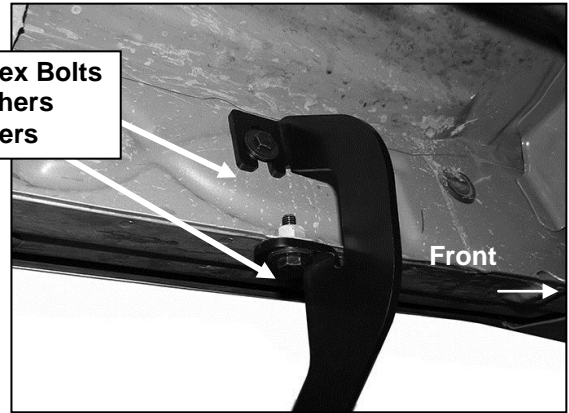


- (2) 8mm x 25mm Hex Bolts
- (2) 8mm Lock Washers
- (2) 8mm Flat Washers

(2) 8mm
Clip Nuts

←
Rear

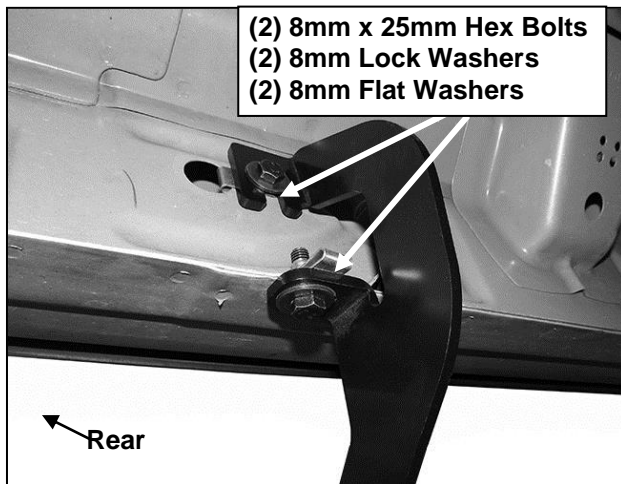
(Fig 5) Driver side rear mounting location



- (2) 8mm x 25mm Hex Bolts
- (2) 8mm Lock Washers
- (2) 8mm Flat Washers

→
Front

(Fig 6A) Driver/left front bracket installed



- (2) 8mm x 25mm Hex Bolts
- (2) 8mm Lock Washers
- (2) 8mm Flat Washers

←
Rear

(Fig 6B) Driver/left rear bracket installed



REMOVE BOTH
FACTORY M12 &
M8 HARDWARE

(Fig 7A) WTW Driver Rear Isolator bracket location

(1) 12mm Thick Spacer

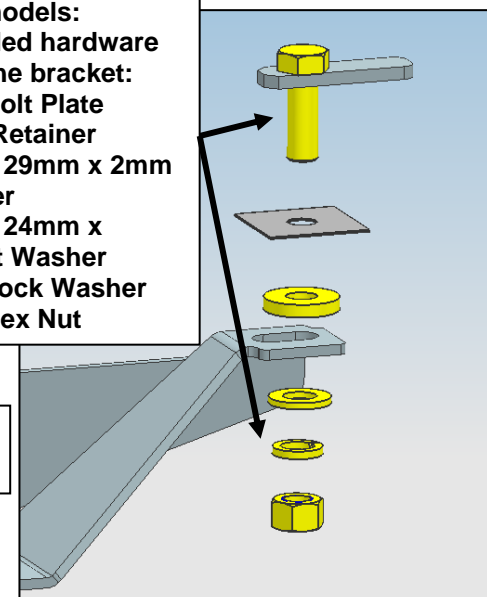
(1) 8mm x 35mm Hex Bolt
(1) 8mm Lock Washers
(1) 8mm Flat Washers

(1) 12mm x 60mm Hex Bolt
(1) 12mm Lock Washer
(1) 12mm Flat Washer

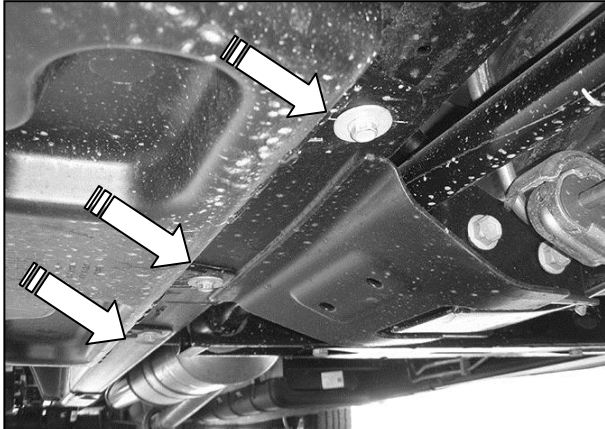
07-17 MY models:
Reuse M12 factory bolts

2018 MY models:
Use provided hardware
to attach the bracket:
(1) 12mm Bolt Plate
(1) Plastic Retainer
(1) 12mm x 29mm x 2mm
Flat Washer
(1) 12mm x 24mm x
2.5mm Flat Washer
(1) 12mm Lock Washer
(1) 12mm Hex Nut

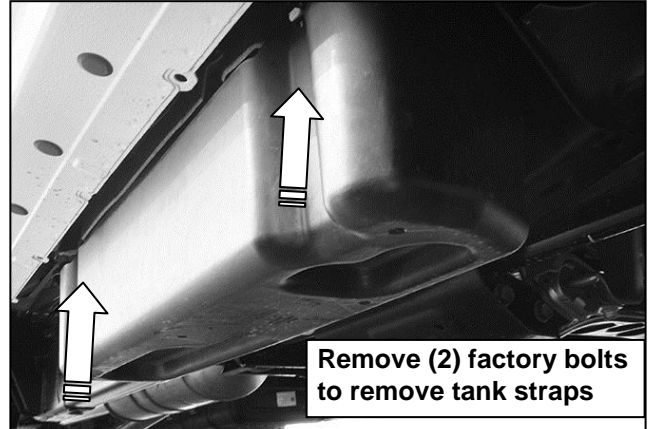
(Fig 7B) WTW Driver Rear Isolator &
lower bracket installed



(Fig 7C) WTW Driver Rear Isolator &
lower bracket installed

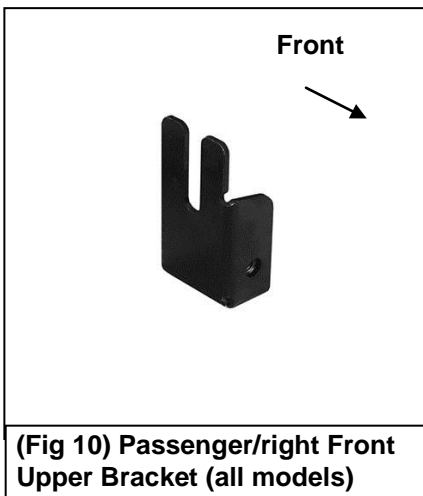


(Fig 8) Passenger side front pictured with DEF tank cover. Remove (3) hex bolts to remove cover

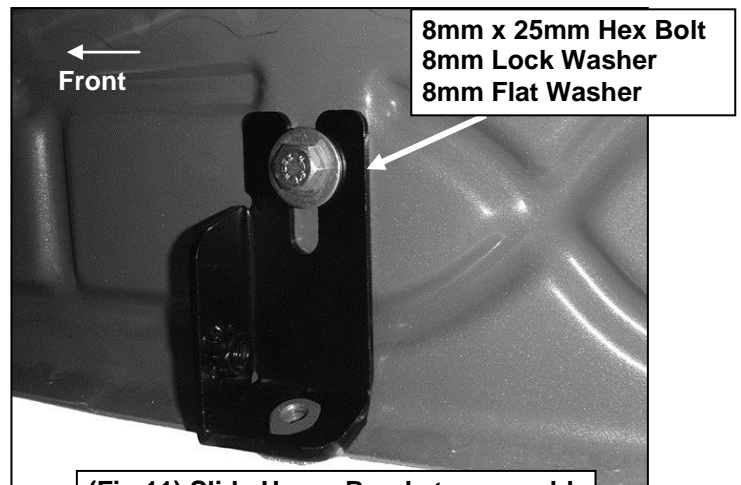


Remove (2) factory bolts to remove tank straps

(Fig 9) Passenger side DEF tank and cover



(Fig 10) Passenger/right Front Upper Bracket (all models)



8mm x 25mm Hex Bolt
8mm Lock Washer
8mm Flat Washer

(Fig 11) Slide Upper Bracket over weld nut if equipped-also see Figure 2



(Fig 12) 8mm x 35mm Bolt Plate

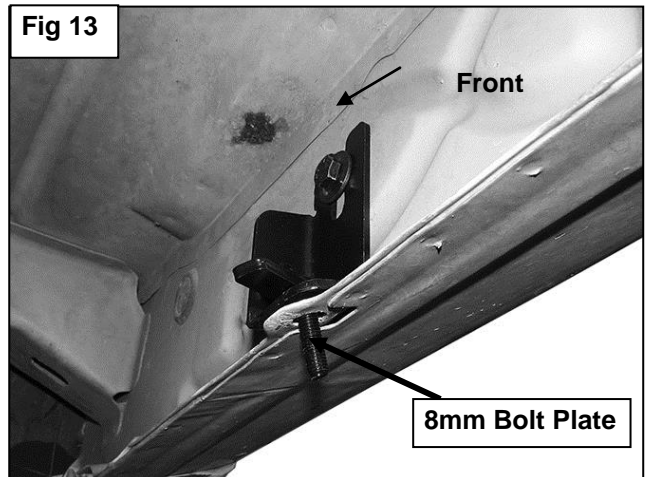
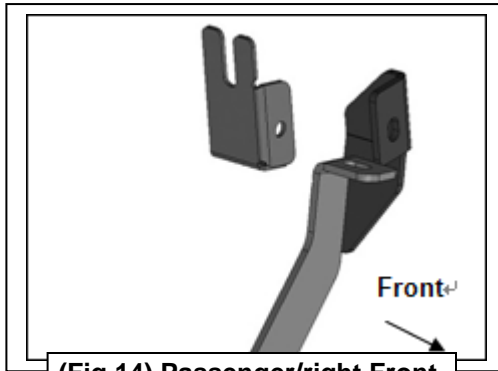


Fig 13

Front

8mm Bolt Plate



(Fig 14) Passenger/right Front Lower Bracket (all models)

On models with flat tab (see Fig 3, 4 and 15), insert 8mm Bolt Plate (Fig 12) down through Upper Bracket and mounting tab

On models with flat tab and 8mm Bolt Plate (see Fig. 13) use:
8mm Flat Washer
8mm Nylon Lock Nut
to attach Lower Bracket to Bolt Plate

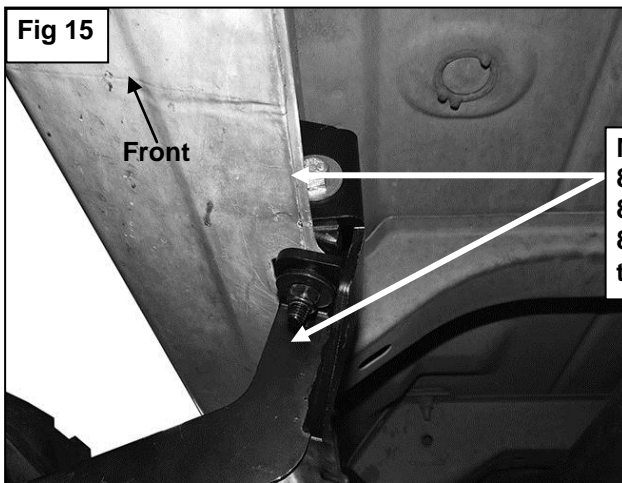


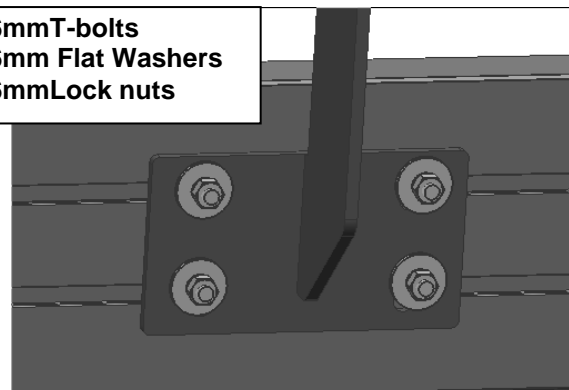
Fig 15

Models with weld nut on tab use:
8mm x 25mm Hex Bolt
8mm Lock Washer
8mm Flat Washer
to attach Lower Bracket to weld nut



(Fig 16) Slip 6mm T-bolts into the bottom channel

(4)6mm T-bolts
(4)6mm Flat Washers
(4)6mm Lock nuts



(Fig 17) Passenger/right bracket installed