



iRunning Board Installation Instruction

Application: 99-07 Chevy/GMC Silverado/Sierra "Classic" 1500 Regular Cab \
01-07 Chevy/GMC Silverado/Sierra "Classic" 2500/3500 Regular Cab \

Item	Part Name	QTY	Item	Part Name	QTY
1	Mounting Bracket (MB)	6	5	M6 Nylon Lock Nuts	12
2	M8 Hex Head Bolt	6	6	ST 6.3-25 Self Drilling Screw	12
3	M6 Square Hex Bolt	12	7	M8 Nylon Lock Nuts	6
4	M6 Flat Washers	12	8	M8 Flat Washers	12



Installation PROCEDURE

Step	Description
1	Remove contents from box and check for damage. Verify all parts are present. Read and understand instructions before beginning.
2	Drill M8 holes in pinch weld as shown (See Fig 1).
3	Attach mounting brackets as shown. (See Fig 2 ,3 and 4).
4	Insert square head bolts as shown (3 per slot, 6 per Step board/Running board) (See Fig 5).
5	Attach to running board as shown (See Fig 6).
6	Repeat Step 2-5 for the other side installation.
7	Installation completed!!! (See Fig 7)

The instruction here is for your reference only. We strongly recommend the professional installer for best result. We are not responsible for any damage caused by the installation. Thank you for choosing our product!

iRunning Board Installation Instruction

**Application: 99-07 Chevy/GMC Silverado/Sierra "Classic" 1500 Regular Cab **
**01-07 Chevy/GMC Silverado/Sierra "Classic" 2500/3500 Regular Cab **

(VERIFY LOCATIONS BEFORE DRILLING AND FINAL ATTACHMENT.)

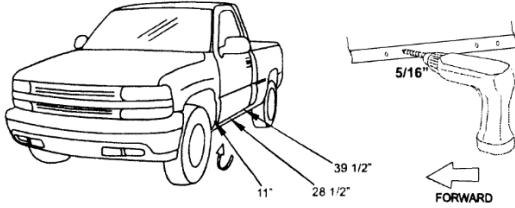


FIGURE 1

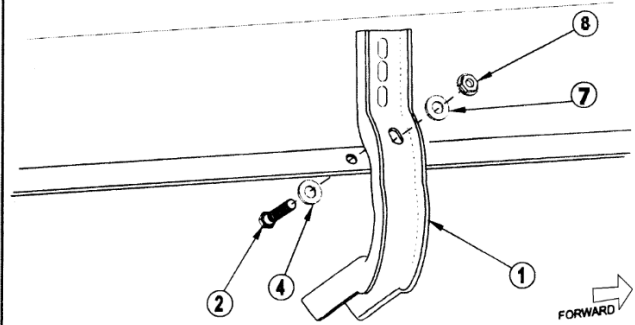
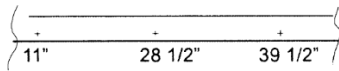


FIGURE 2

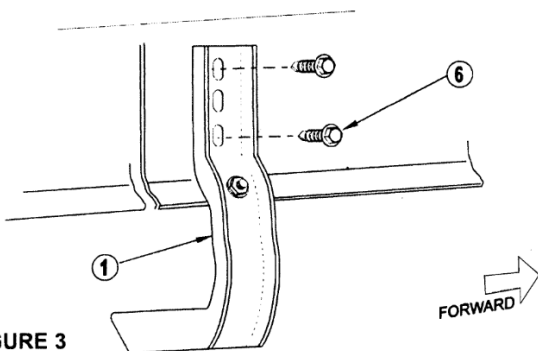


FIGURE 3

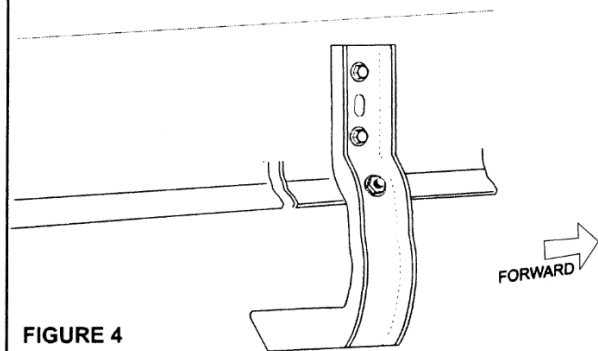
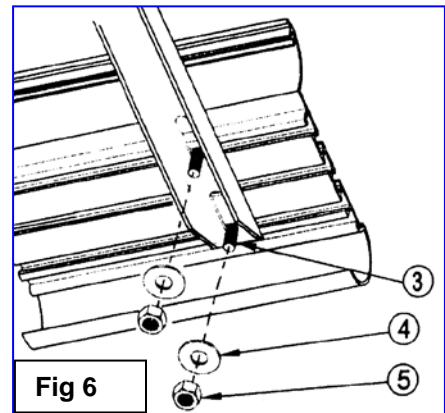
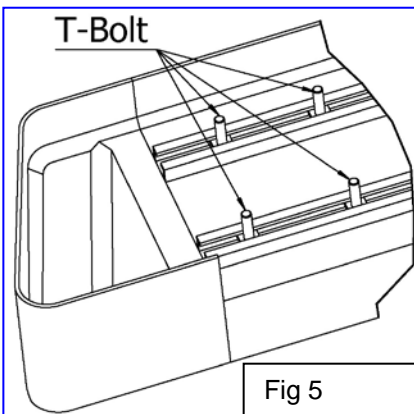


FIGURE 4



The instruction here is for your reference only. We strongly recommend the professional installer for best result. We are not responsible for any damage caused by the installation. Thank you for choosing our product!