



iRunning Board Installation Instruction

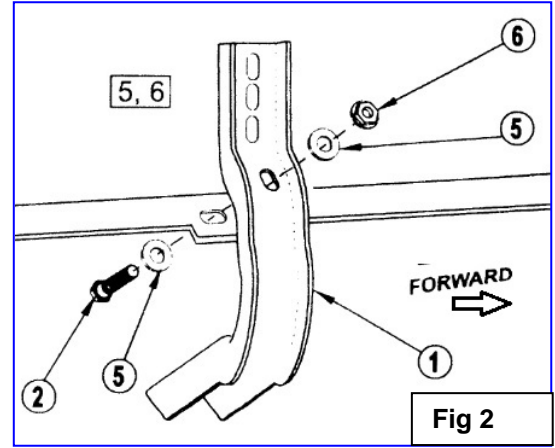
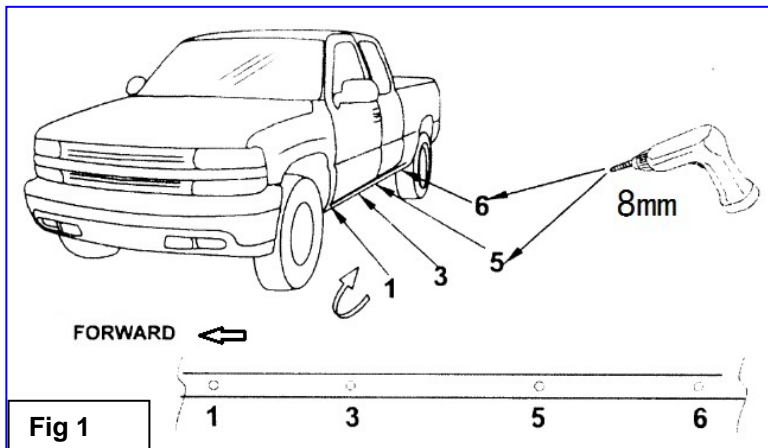
Application: For 01-07 CHEVY SILVERADO / GMC SIERRA Classic CREW CAB

Item	Part Name	QTY	Item	Part Name	QTY
1	Mounting Bracket (MB)	8	6	M8 Nylon Lock Nuts	8
2	M8 Hex Head Bolt	12	7	ST 6.3-25 Self Drilling Screw	8
3	M6 Flat Washer	16	8	M6 Nylon Lock Nuts	16
4	M6 Square Head Bolt	16	9	Driver Side Step Bar	1
5	M8 Flat Washers	20	10	Passenger Side Step Bar	1



Installation Procedure

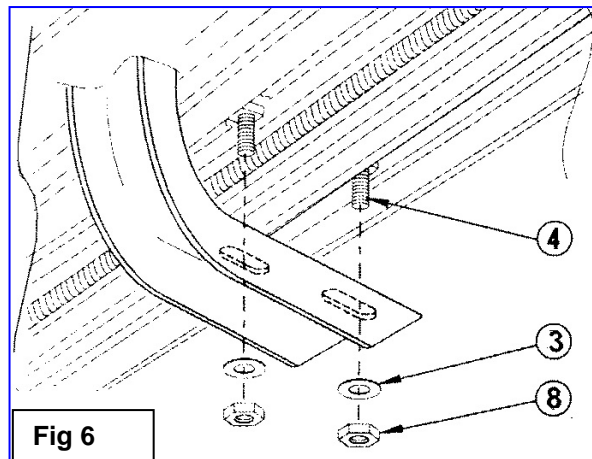
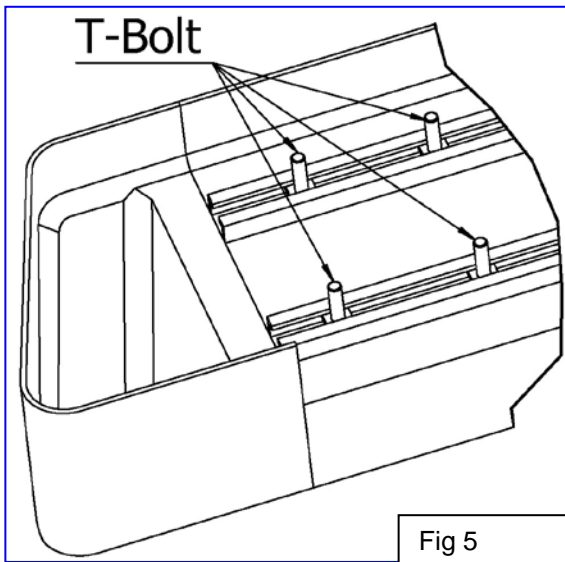
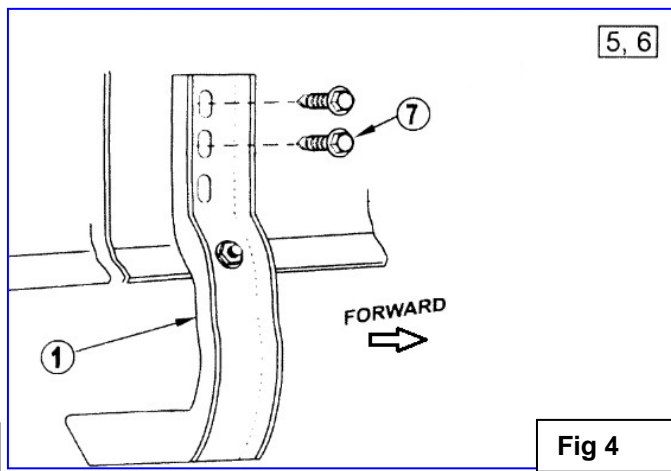
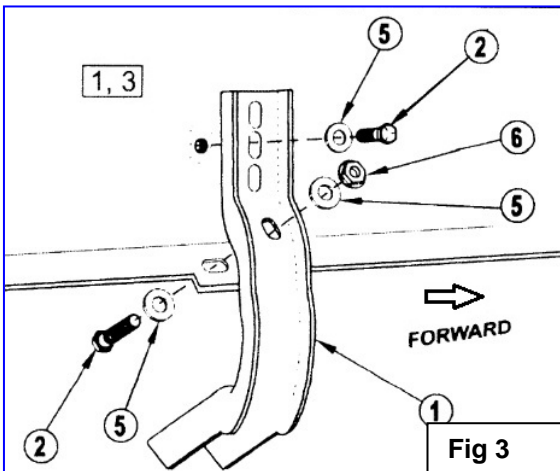
Step	Description
1	Remove contents from box and check for damage. Verify all parts are present. Read and understand instructions before beginning.
2	Drill M8 holes in pinch weld as shown (See Fig 1).
3	Attach mounting brackets as shown. (See Fig 2, 3 and 4).
4	Insert square head bolts as shown (4 per slot, 8 per Step board/Running board) (See Fig 5).
5	Attach Step board / Running board to brackets , align and tighten (See Fig 6)
6	Repeat Step 2-5 for the other side installation.
7	Installation completed!!! (See Fig 7)



The instruction here is for your reference only. We strongly recommend the professional installer for best result. We are not responsible for any damage caused by the installation. Thank you for choosing our product!

iRunning Board Installation Instruction

Application: For 01-07 CHEVY SILVERADO / GMC SIERRA Classic CREW CAB



The instruction here is for your reference only. We strongly recommend the professional installer for best result. We are not responsible for any damage caused by the installation. Thank you for choosing our product!