



## iRunning Board Installation Instruction

Part#: IB03RAI7

Application: For 2015-2018 Chevrolet Colorado Crew Cab / GMC Canyon Crew Cab

### PARTS LIST:

Item	QTY	Description	Item	QTY	Description
#01	2	STEP BOARD, Driver/+Passenger	#06	12	M8 Lock Washers
#02	3	Driver Front Mounting Bracket (DFM/DCM/PRM)	#07	12	M8 Clip Nut
#03	3	Passenger Front Mounting Bracket (PFM/PCM/DRM)	#08	12	M6 Square Head Bolts
#04	12	M8X1.25-30 Hex Bolts	#09	12	M6 Flat Washers
#05	12	M8 Flat Washers	#10	12	M6 Nylon Lock Nuts



### INSTALLATION INSTRUCTION:

1. Remove contents from box, verify if all parts listed are present and undamaged. Carefully read and understand all instructions before attempting installation.
2. If vehicle has plastic covers, remove the designated covers from the rocker panel where mounts will be placed, **see Figure 1**.
3. Install M8 u-clip nuts in the holes where the plastic covers were removed, **See Figure 2**.
4. Loosely install mounting brackets to the previously install M8 u-clips with supplied M8 hardware, **see Figure 3**. (Note: The middle bracket will be closer to the front bracket then in comparison to the rear bracket, see **Figure 6** for orientation and direction of brackets.)
5. Insert square head bolts as shown(3 per slot, 6 per Step board/Running board).**SEE FIGURE 4**
6. Attach Step board to brackets as shown. (**SEE FIGURE 5**). Make sure step board and brackets are properly aligned and tighten fasteners.
7. Repeat Installation for passenger side.
8. **INSTALLATION IS COMPLETE, SEE FIGURE 7.**

**To protect your investment**, wax this product after installing. Regular waxing is recommended to add a protective layer over the finish. Do not use any type of polish or wax that may contain abrasives that could damage the finish.

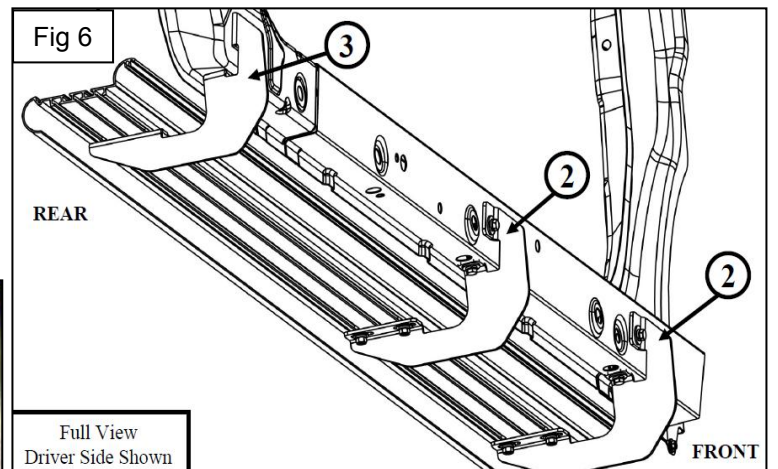
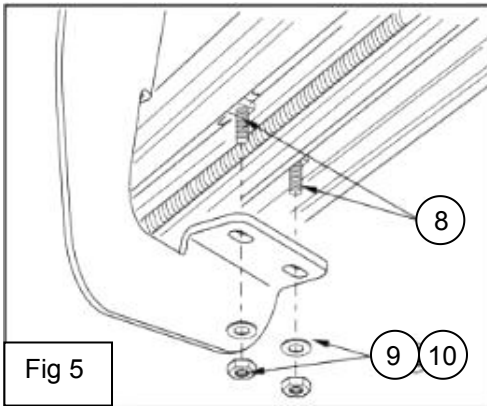
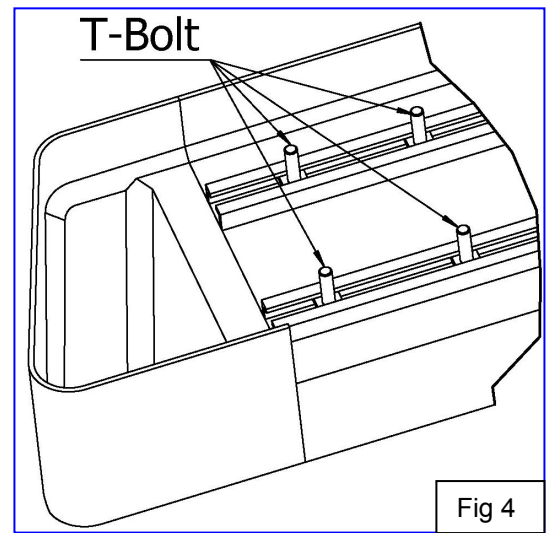
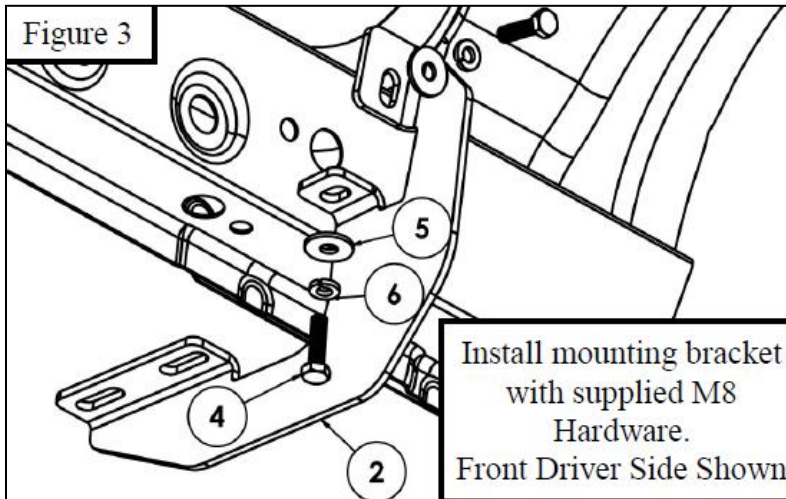
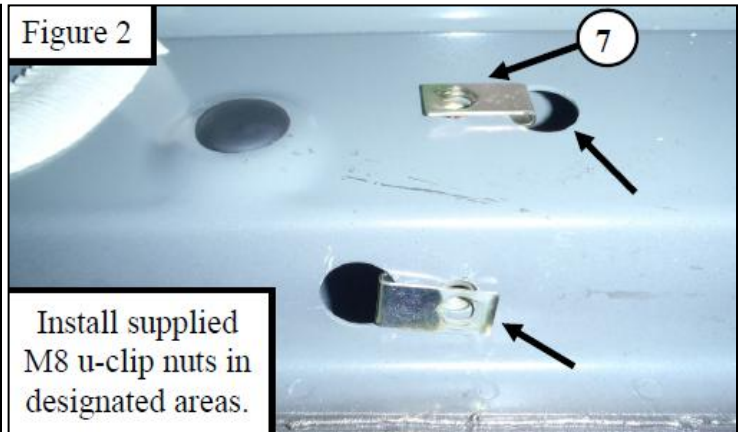
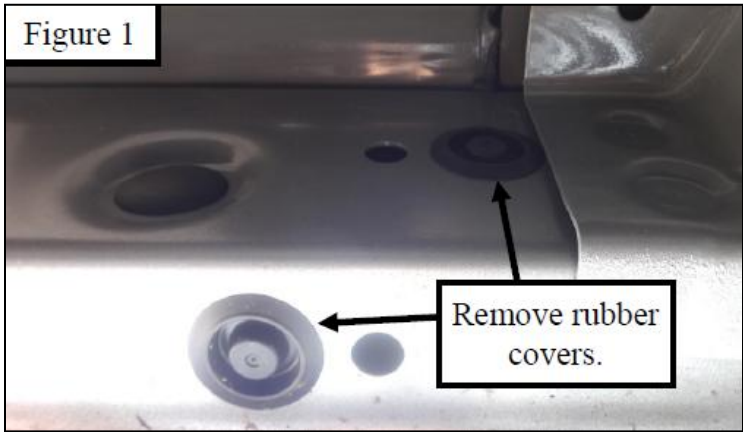
**For Polished Finishes:** Aluminum polish may be used to polish small scratches and scuffs on the finish. Mild soap may be used also to clean the Running Board.

**For black finishes:** Mild soap may be used to clean the Running Board.

# iRunning Board Installation Instruction

Part#: IB03RAI7

Application: For 2015-2018 Chevrolet Colorado Crew Cab / GMC Canyon Crew Cab



Discover other running boards and step bars on our website.