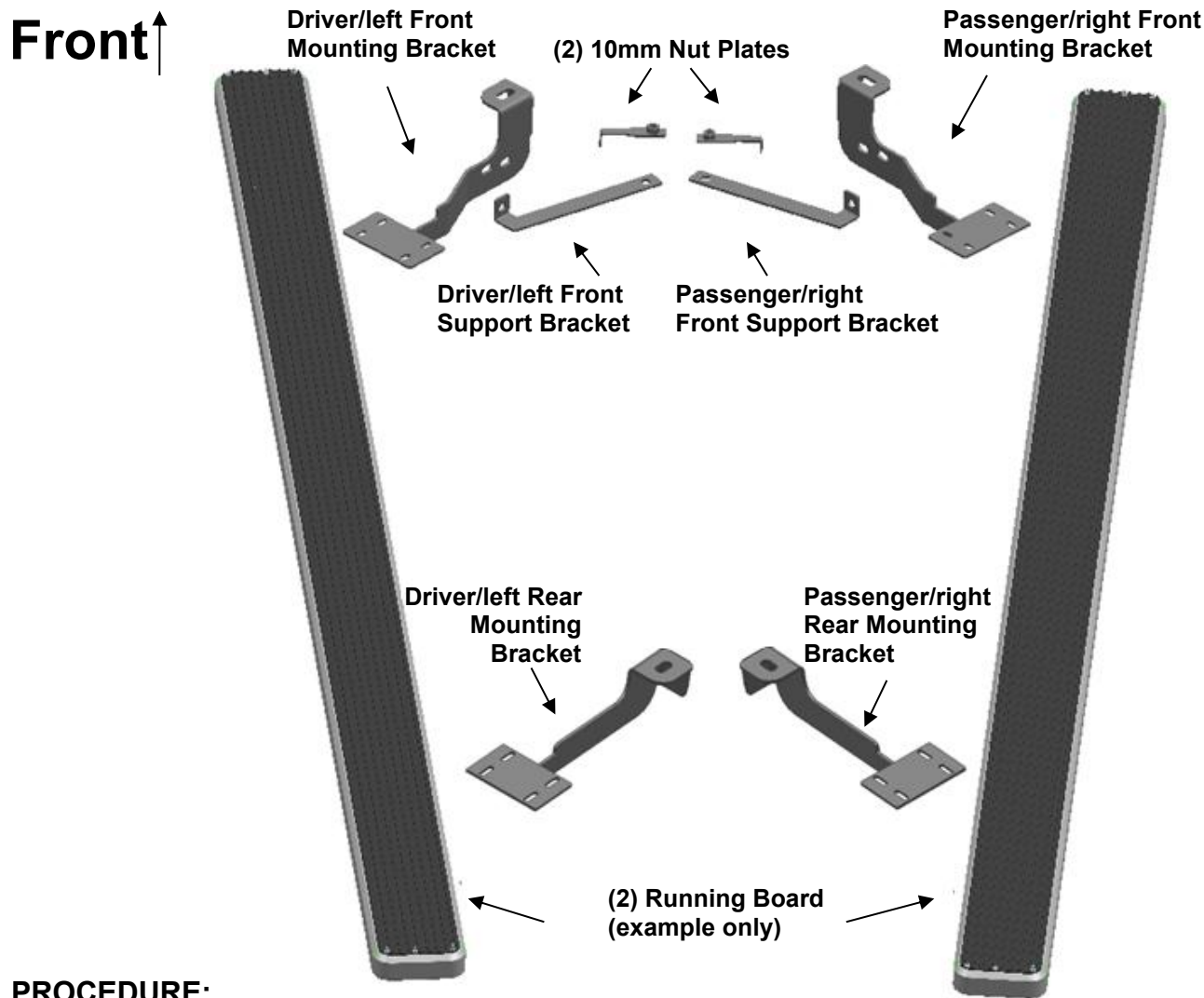


PARTS LIST:

Item	QTY	Description	Item	QTY	Description
#01	2	Running Board(use for left or right)	#09	4	10-1.50mm x 30mm Hex Bolts
#02	1	Driver/Left Front Mounting Bracket (DFM)	#10	6	10mm x 20mm OD x 2mm Flat Washers
#03	1	Driver/Left Front Support Bracket (DFS)	#11	4	10mm Lock Washers
#04	1	Passenger/Right Front Mounting Bracket(PFM)	#12	2	10mm Hex Nuts
#05	1	Passenger/Right Front Support Bracket(PFS)	#13	16	6-1.0mm x 20mm T-Bolts
#06	1	Driver/Left Rear Mounting Bracket(DRM)	#14	16	6mm x 22mm OD x 2mm Flat Washers
#07	1	Passenger/Right Rear Mounting Bracket(PRM)	#15	16	6mm Lock Nuts
#08	2	10mm Nut Plates			



PROCEDURE:

REMOVE CONTENTS FROM BOX. VERIFY ALL PARTS ARE PRESENT. READ FACTORY BODY BOLT REMOVAL INSTRUCTIONS AND INSTALLATION INSTRUCTIONS CAREFULLY BEFORE STARTING INSTALLATION.

1. Start the installation under the passenger side of the vehicle. Remove the front body mount bolt, **(Figure 1)**. Do not remove rubber bushings.
2. Attach the passenger side front mounting Bracket to the body mount reusing the factory hex bolt, **(Figures 2 & 3)**. Do not tighten hardware at this time.

3. Locate the two factory holes in the bottom of the frame towards the front of the vehicle, **(Figure 4)**. Insert (1) 10mm Nut Plate, **(Figure 5)**, into the oval hole and line up the threaded nut with the forward round hole, **(Figure 4)**. **NOTE:** Nut Plate and Support Brackets are not required on **2011-14 25-3500** models.
4. Attach the flat end of the passenger side front Support Bracket to the Nut Plate with (1) 10mm x 30mm Hex Bolt, (1) 10mm Lock Washer and (1) 10mm Flat Washer, **(Figures 6 & 7)**. Do not tighten hardware at this time.

Up to 2010 25-3500 Models-Support Bracket not required on 2011-14 25-3500 Models:

Note that the Front Support Bracket will not reach up to the Mounting Bracket, **(Figure 7)**. Tighten the Support Bracket to the Nut Plate in the frame. Carefully push up on the Support Bracket until it reaches the inside hole in the Mounting Bracket. Bolt the Support Bracket to the hole in the Mounting Bracket with (1) 10mm x 30mm Hex Bolt, (2) 10mm Flat Washers, (1) 10mm Lock Washer and (1) 10mm Hex Nut, **(Figures 7 & 8)**. Do not tighten at this time.

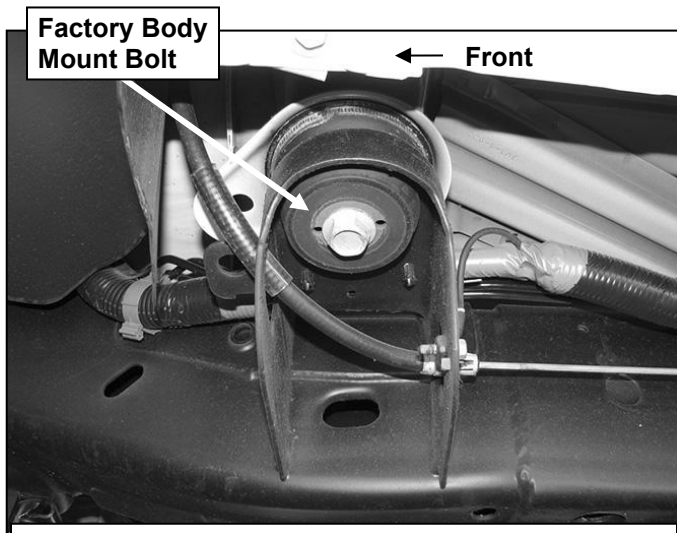
5. Continue on to the rear body mount. Repeat **Steps 1 & 2** to attach the passenger side rear Mounting Bracket to the body mount, **(Figure 9)**. Leave hardware loose at this time.
6. Select the Running Board. Slip (8) 6mm T-Bolts into each bottom channel **(Figure 10)**. Carefully position the Running Board onto the Mounting Brackets. Attach the Running Board to the Mounting Brackets with (4) 6mm T-bolts, (4) 6mm flat washers and (4) 6mm lock nuts, **(Figure 11)**. Do not tighten hardware at this time.
7. Level and adjust the Running Board and fully tighten all hardware.
8. Repeat **Steps 1—7** for driver side Running Board installation.
9. Do periodic inspections to the installation to make sure that all hardware is secure and tight.

To protect your investment, wax this product after installing. Regular waxing is recommended to add a protective layer over the finish. Do not use any type of polish or wax that may contain abrasives that could damage the finish.

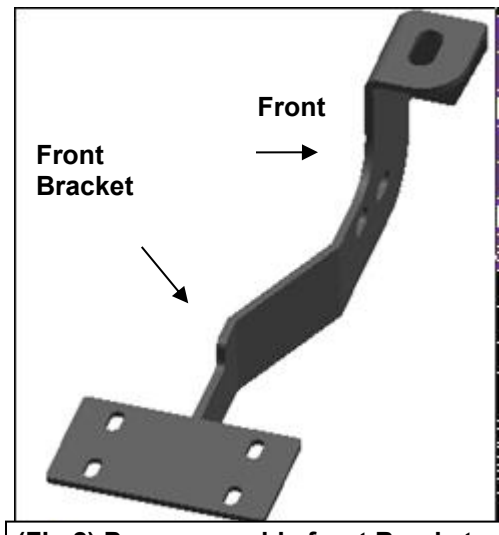
For Polished Finishes: Aluminum polish may be used to polish small scratches and scuffs on the finish. Mild soap may be used also to clean the Running Board.

For Black Finishes: Mild soap may be used to clean the Running Board.

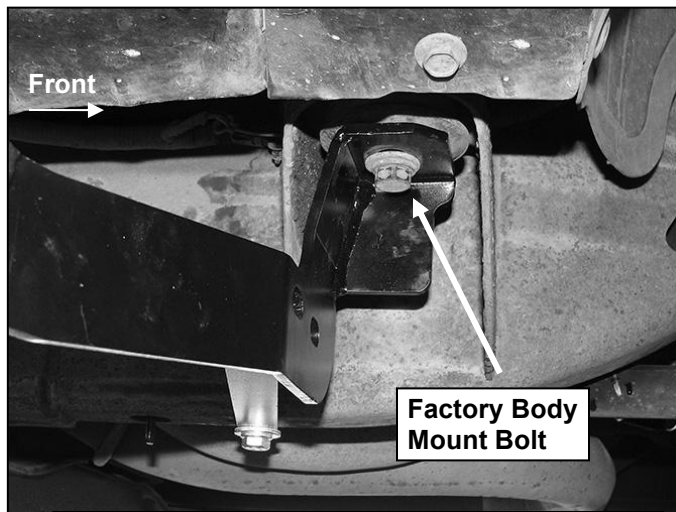
Passenger Side Installation Pictured



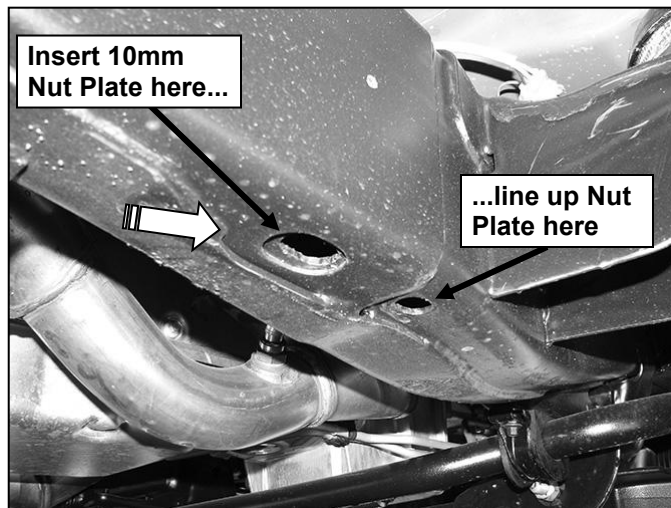
(Fig 1) Driver side front mounting bracket pictured



(Fig 2) Passenger side front Brackets



(Fig 3) Passenger/right front Bracket installed

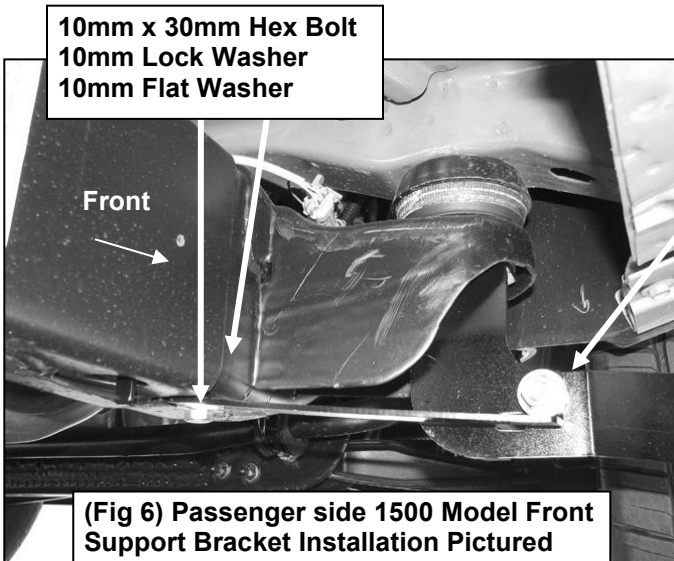


(Fig 4) Bottom of frame on passenger side

NOTE: Support Brackets not required on 2011-14 25-3500 Models



(Fig 5) 10mm Nut Plate

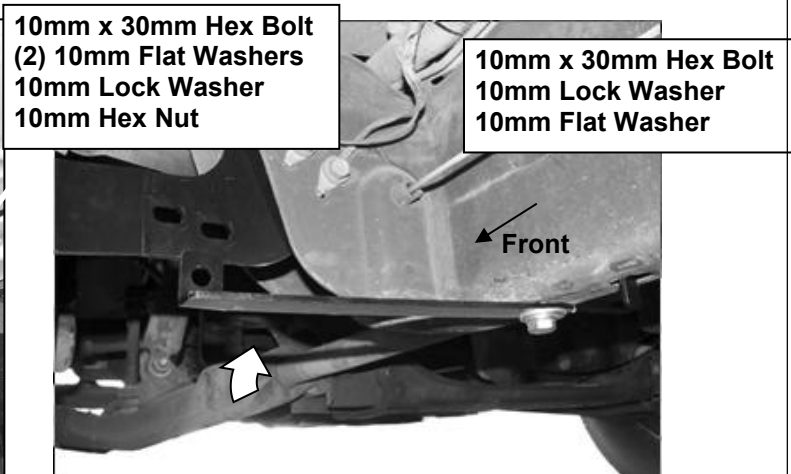


10mm x 30mm Hex Bolt
 10mm Lock Washer
 10mm Flat Washer

(Fig 6) Passenger side 1500 Model Front Support Bracket Installation Pictured

IMPORTANT NOTE:
 Bend Support Bracket up by hand to meet the inner hole in the Front Mounting Bracket

NOTE: Support Bracket not required on 2011-14 25-3500 Models

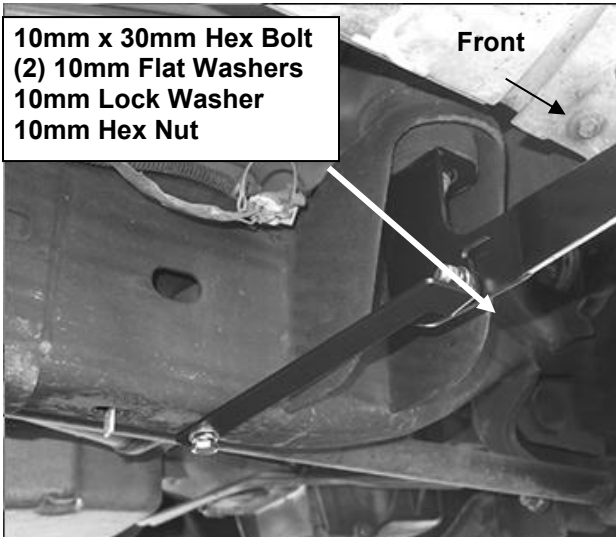


10mm x 30mm Hex Bolt
 (2) 10mm Flat Washers
 10mm Lock Washer
 10mm Hex Nut

10mm x 30mm Hex Bolt
 10mm Lock Washer
 10mm Flat Washer

NOTE: Support Brackets not required on 2011-14 25-3500 Models

(Fig 7) Driver side, 25-3500 Model Front Support Bracket Installation



(Fig 8) Passenger side Front Bracket Installation

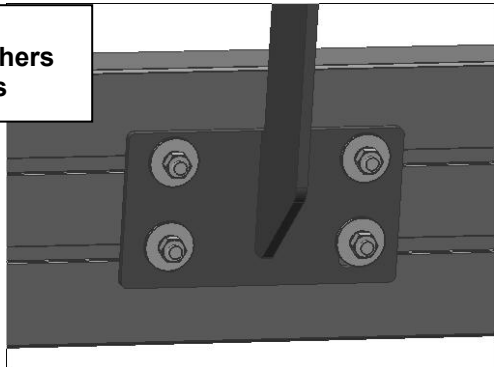


(Fig 9) Passenger side Rear Bracket Installation



(Fig 10) Slip 6mm T-bolts into the bottom channel

- (4) 6mm T-bolts
- (4) 6mm Flat Washers
- (4) 6mm Lock nuts



(Fig 11) Passenger side Bracket Installation