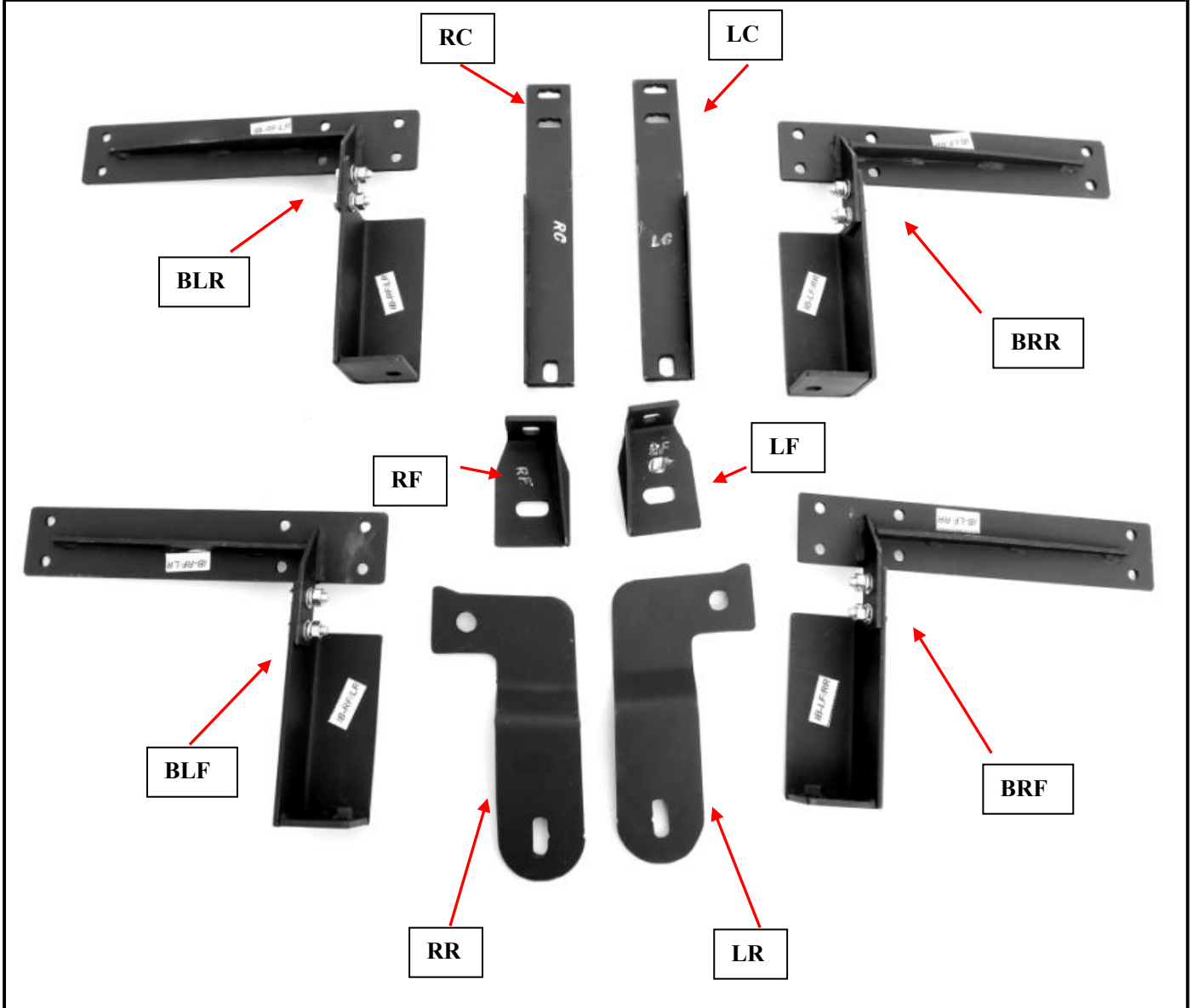


# Installation Instruction

**Part#: IB03DJI1A**

**Application: For 00-14 Chevy Suburban/GMC Yukon 3/4 Ton (Excl. Z71 Model)**

Item	Part Name	QTY	Item	Part Name	QTY
1	Driver/Left Sidebar	1	10	M12 Flat Washer	4
2	Passenger/Right Sidebar	1	11	M12 Lock Washer	4
3	Driver Front Mounting Bracket (LF)	1	12	M6 Square Hex Bolt	28
4	Passenger Front Mounting Bracket (RF)	1	13	M6 Flat Washers	28
5	Driver Center Mounting Bracket (LC)	1	14	M6 Nylon Lock Nuts	28
6	Passenger Center Mounting Bracket (RC)	1	15	Driver Front Bar Bracket (BLF)	1
7	Driver Side Rear Mounting Bracket (LR)	1	16	Driver Rear Bar Bracket (BLR)	1
8	Passenger Side Rear Mounting Bracket (RR)	1	17	Passenger Front Bar Bracket (BRF)	1
9	M12X1.75-50mm Hex Bolt	4	18	Passenger Rear bar Bracket (BRR)	1



The instruction here is for your reference only. We strongly recommend the professional installer for best result. We are not responsible for any damage caused by the installation. Thank you for choosing our product!

# Installation Instruction

Part#: **IB03DJI1A**

Application: **For 00-14 Chevy Suburban/GMC Yukon 3/4 Ton (Excl. Z71 Model)**

## Installation PROCEDURE

Step	Description
<b>REMOVE CONTENTS FROM BOX. VERIFY ALL PARTS ARE PRESENT. READ INSTRUCTIONS CAREFULLY BEFORE STARTING INSTALLATION.</b>	
1	Remove passenger side front and center body mount bolts from vehicle. NOTE: Do not remove body mount bushings.
2	Hang front and center Mounting Brackets into position by partially threading factory bolts back into body mounts (Figure 1 & 2). Do not tighten at this time.
3	From underside of vehicle, remove the existing passenger side front leaf spring mounting bolt nut (Figure 3). <b>WARNING!</b> Do not attempt to remove the bolt from leaf spring.
4	Position passenger side rear Mounting Bracket onto leaf spring mounting bolt cavity. Attach Mounting Bracket to vehicle using the factory nut and bolt. Do not tighten at this time. <b>NOTE:</b> Keep adjusting Mounting Bracket into place as you tighten the nut and bolt.
5	With help position Side Bar onto Mounting Brackets. Attach front and rear Mounting Brackets to Side Bar using the included (2) Hex Head Bolt, (2) Flat Washers, and (2) Lock Washers. Do not tighten at this time.
6	Attach center Mounting Bracket to Side Bar using the included (1) 8-1.25mm x 25mm Hex Head Bolt, (1) 8mm Flat Washer, and (1) 8mm Lock Washer. Do not tighten at this time.
7	Level and adjust Side Bar, then tighten all hardware at this time
8	Repeat steps 2 - 8 for driver Side Bar .
9	Do periodic inspections of the installation to make sure all hardware is secure and tight.
<p><b>To protect your investment</b>, wax this product after installing. Regular waxing is recommended to add a protective layer over the finish. Do not use any type of polish or wax that may contain abrasives that could damage the finish.</p> <p><b>For Polished finishes:</b> Aluminum polish may be used to polish small scratches and scuffs on the finish. Mild soap may be used also to clean the Sidebar.</p> <p><b>For Black Powder Coated finishes:</b> Mild soap may be used to clean the Sidebar.</p>	

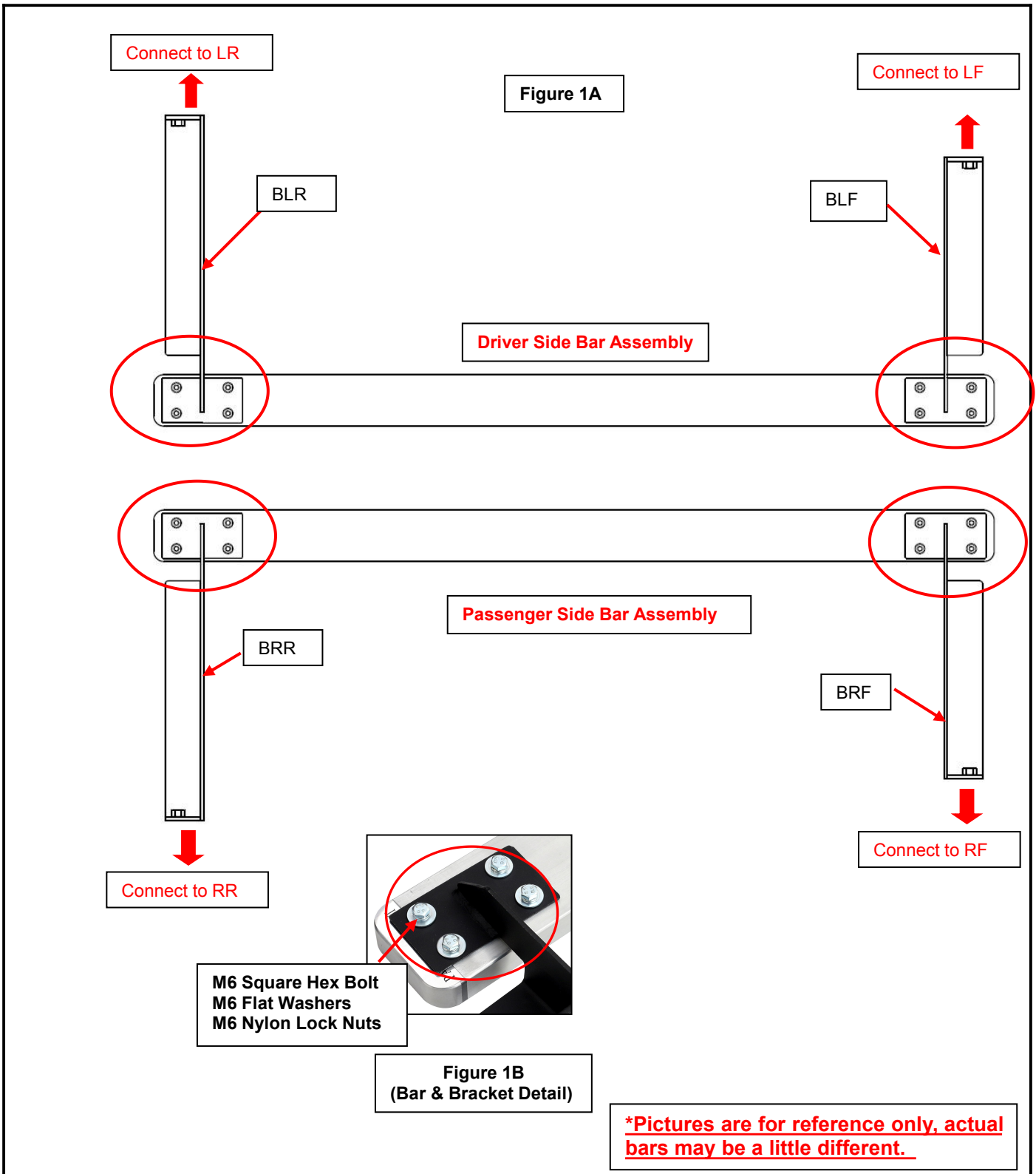
The instruction here is for your reference only. We strongly recommend the professional installer for best result. We are not responsible for any damage caused by the installation. Thank you for choosing our product!

# Installation Instruction

Part#: **IB03DJI1A**

Application: For 00-14 Chevy Suburban/GMC Yukon 3/4 Ton (Excl. Z71 Model)

Sidebar & Bar Bracket Assembly Shown:



The instruction here is for your reference only. We strongly recommend the professional installer for best result. We are not responsible for any damage caused by the installation. Thank you for choosing our product!

# Installation Instruction

Part#: IB03DJI1A

Application: For 00-14 Chevy Suburban/GMC Yukon 3/4 Ton (Excl. Z71 Model)

Passenger Sidebar Installation Shown:

Front Passenger Side Shown

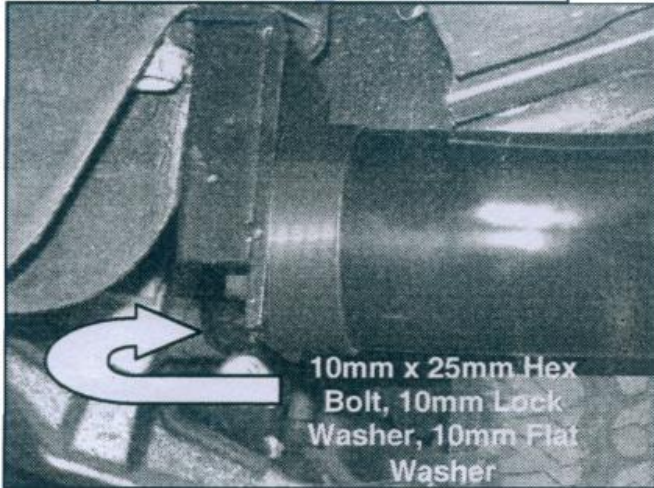


Figure 1

Center Passenger Side Shown

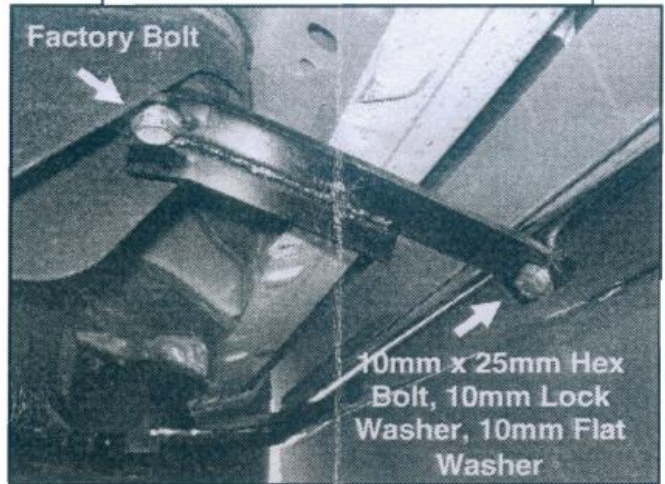


Figure 2

Rear Passenger Side Shown

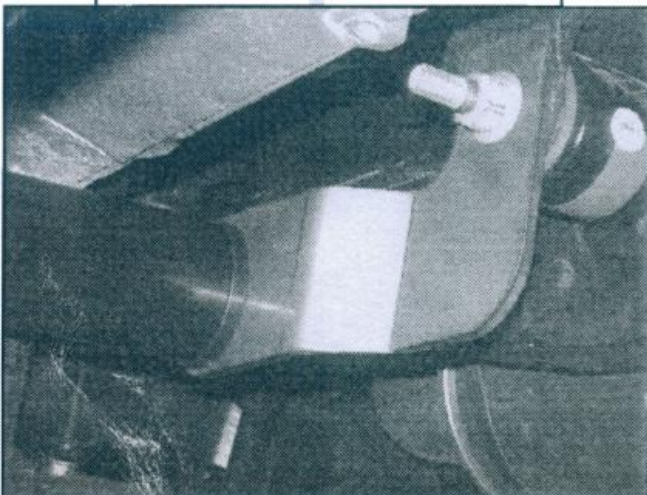


Figure 3

**\*Pictures are for reference only, actual bars may be a little different.**

The instruction here is for your reference only. We strongly recommend the professional installer for best result. We are not responsible for any damage caused by the installation. Thank you for choosing our product!