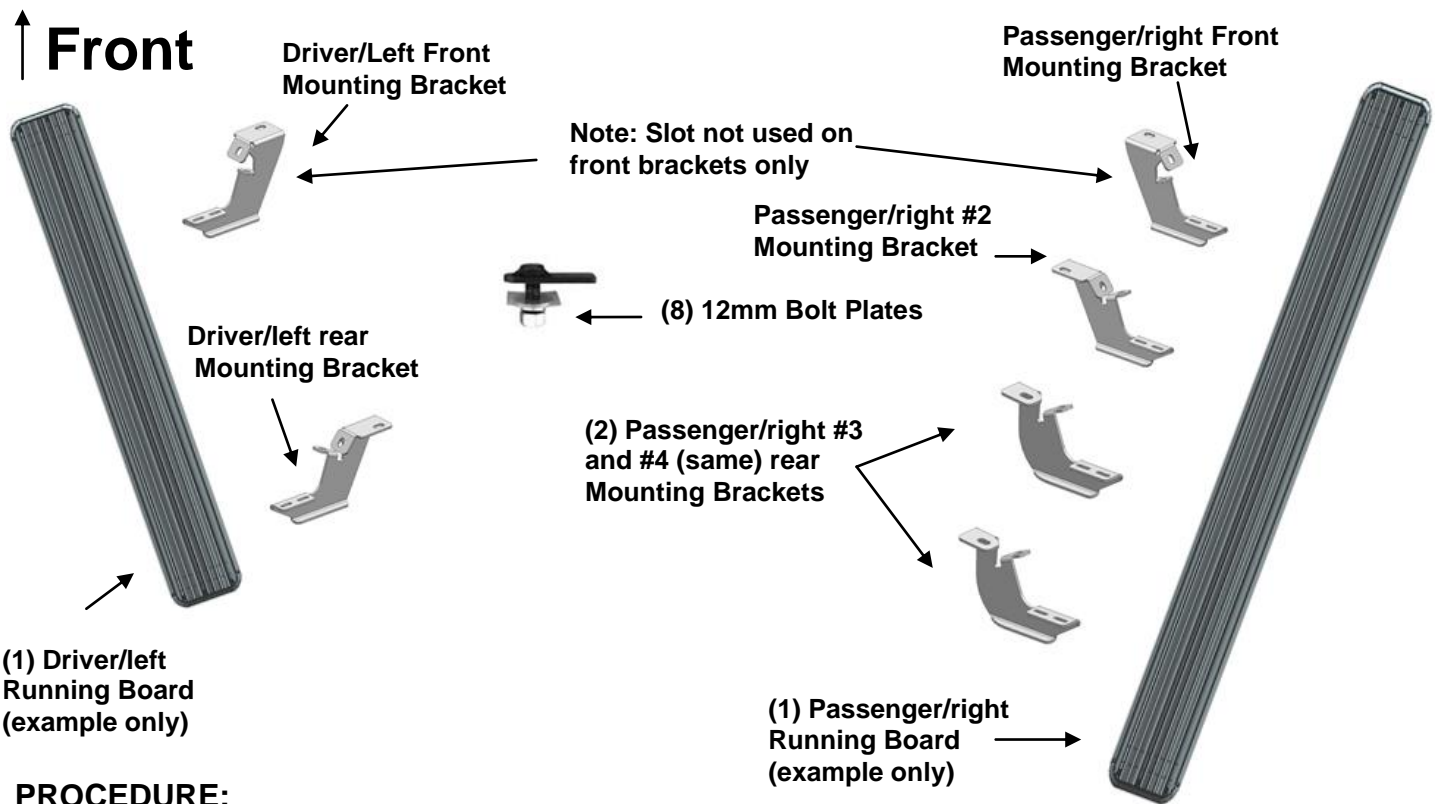


PARTS LIST:

Item	Qty	Description	Item	Qty	Description
#1	1	Driver/left Running Board	#10	8	12mm Lock Washers
#2	1	Passenger/right Running Board	#11	8	12mm Hex Nuts
#3	1	Driver Side Front Mounting Bracket	#12	8	12mm Plastic Retainers
#4	1	Driver Side Rear Mounting Bracket	#13	6	8mm x 30mm Hex Bolts
#5	1	Passenger Side Front Mounting Bracket	#14	12	8mm x 24mm OD x 2mm Flat Washers
#6	1	Passenger Side Center Mounting Bracket	#15	6	8mm Nylon Lock Nuts
#7	2	Passenger Side Rear (#3 & #4) Mounting Brackets	#16	12	6-1.0mm x 20mm T-Bolts
#8	8	12mm Bolt Plates	#17	12	6mm x 18mm OD x 1.6mm Flat Washers
#9	8	12mm x 32mm OD x 3mm Flat Washers	#18	12	6mm Hex Nuts



PROCEDURE:

REMOVE CONTENTS FROM BOX. VERIFY ALL PARTS ARE PRESENT. READ INSTRUCTIONS CAREFULLY BEFORE STARTING INSTALLATION.

1. Start the installation under the driver side of the vehicle. Locate and remove the rubber plug closest to the front tire opening, **(Figure 1)**. Select (1) 12mm Bolt Plate and (1) Plastic Retainer Washer, **(Figure 2)**. Partially thread the Plastic Washer onto the Bolt Plate. Insert the Bolt Plate into the opening and thread the Plastic Washer down tight, **(Figures 3 & 21)**. **NOTE:** The Plastic Washer is designed to help hold the Bolt Plate in place during Bracket installation but is not required for installation.
2. Select the driver side front Mounting Bracket, **(Figure 4)**. Attach the Bracket to the Bolt Plate with (1) 12mm Flat Washer, (1) 12mm Lock Washer and (1) 12mm Hex Nut, **(Figure 5)**. Hold the Bracket up tight against the bottom of the body and snug but do not fully tighten the hardware at this time.

3. Move along the bottom of the body to the rear bracket location, **(Figure 1)**. Locate and remove the (2) rubber plugs. Insert (1) 12mm Bolt Plate into each opening. Repeat **Steps 1 & 2** to attach the driver side rear Bracket to the (2) Bolt Plates, **(Figures 6 & 7)**. Do not fully tighten hardware at this time.
4. Place the short driver side Running Board on top of the (2) Brackets. Slip(4) 6mm T-bolts into each bottom channel**(Figure 24)**. Carefully position the Running Board onto the (2) Mounting Brackets. **IMPORTANT:** Do not slide, (front to back), the Running Board on the Brackets or damage to the finish may result. Attach the Running Board to the Mounting Brackets with (2) 6mm T-bolts,(2)6mm flat washers and (2)6mm lock nuts **(Figures 25)**. Do not tighten at this time.
5. Level and adjust the Running Board forward or backward as desired. Push the Mounting Brackets up tight against the bottom of the body and fully tighten all hardware. Use the mounting tab on each Bracket for a guide, mark the location and drill a 5/16" hole through the pinch weld on both Brackets, **(Figure 8)**. **VERY IMPORTANT:** Do not drill too close to the edge of the pinch weld, adjust Bracket position as required before drilling through pinch weld. **NOTE:** It may be necessary to remove Running Board and Brackets to drill the required holes through the pinch weld. Repeat **Steps 2—4** to reinstall Running Board.

IMPORTANT! Any cutting or drilling tool may break or shatter. Government regulations require safety glasses & equipment at all times when cutting or drilling.

6. Once both holes have been drilled through the pinch weld, attach the mounting tabs on the (2) Brackets to the pinch weld with (2) 8mm Hex Bolts, (4) 8mm Flat Washers and (2) 8mm Nylon Lock Nuts, **(Figures 9 & 10)**. Fully tighten hardware at this time.
7. Move to the passenger side of the vehicle. Locate the rubber plug closest to the front tire opening, **(Figure 11)**. Repeat **Steps 1 & 2** to install the passenger side Front Bracket, **(Figures 12 & 13)**.
8. Continue along the body to the (2) rubber plugs identifying the 2nd mounting location, **(Figure 11)**. Repeat **Steps 1—3** to install the passenger side #2 Bracket, **(Figures 14 & 15)**.
9. Move along the body to the #3 bracket location below the side door, **(Figure 16)**. Locate and remove the rubber plug next to the pinch weld. Repeat **Step 8** to attach the #3 passenger side Bracket to the 12mm Bolt Plate in the #3 location, **(Figures 17 & 18)**.
10. Move to the last location along the passenger side in front of the rear tire. Repeat **Step 10** to attach the rear Bracket in the #4 location, **(Figures 19 & 23)**. **NOTE:** The #3 and #4 passenger side Brackets are identical. All other Mounting Brackets are unique and must be installed in the specified locations.
11. Next, select the long passenger side Running Board. Repeat **Steps 4—7** to drill the pinch weld for the Brackets and to install the passenger side Running Board, **(Figures 20—23)**.
12. Do periodic inspections to the installation to make sure that all hardware is secure and tight.

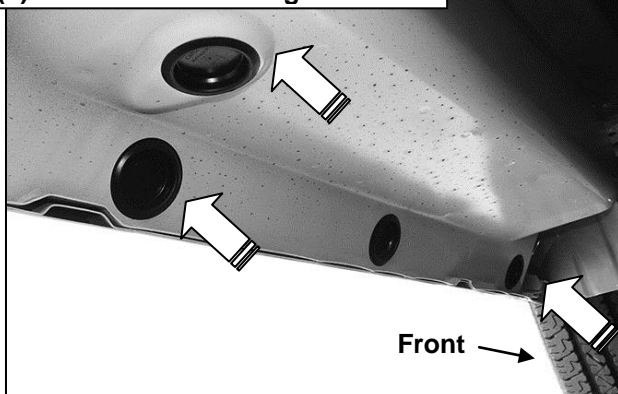
To protect your investment, wax this product after installing. Regular waxing is recommended to add a protective layer over the finish. Do not use any type of polish or wax that may contain abrasives that could damage the finish.

For Polished Finishes: Aluminum polish may be used to polish small scratches and scuffs on the finish. Mild soap may be used also to clean the Running Board.

For black finishes: Mild soap may be used to clean the Running Board.

Driver/Left Side Installation Pictured

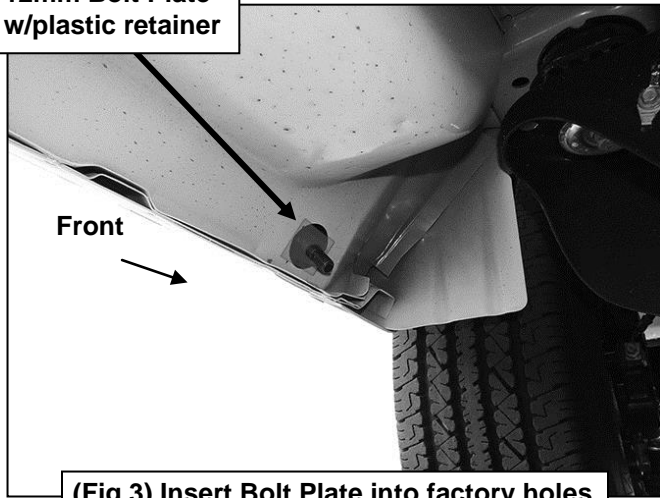
(Fig 1) Remove rubber plugs from (3) driver side mounting locations



(Fig 2) 12mm Bolt Plate w/plastic retainer

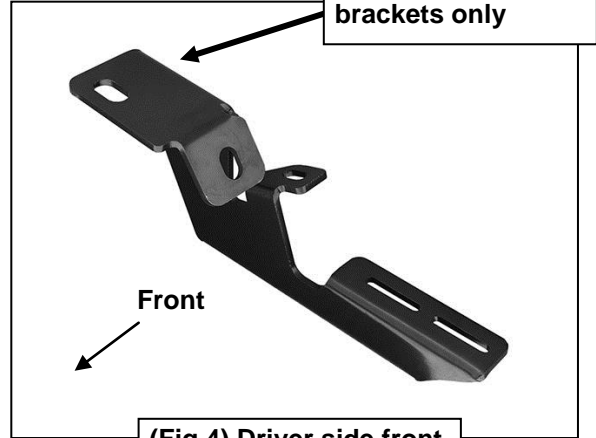
Driver/Left side installation pictured

12mm Bolt Plate
w/plastic retainer



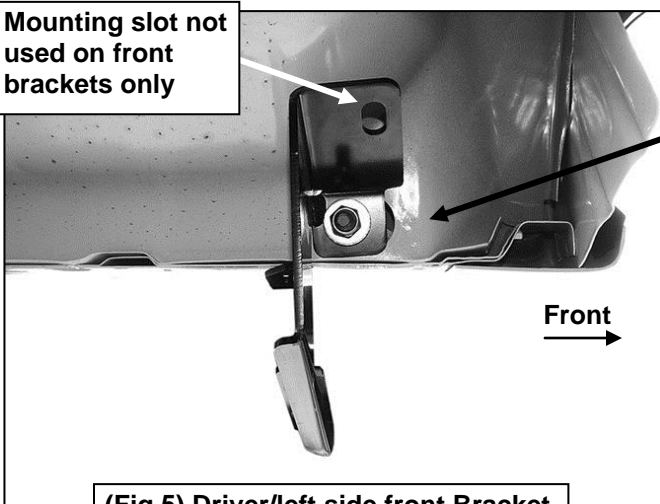
(Fig 3) Insert Bolt Plate into factory holes

Top mounting slot
not used on front
brackets only



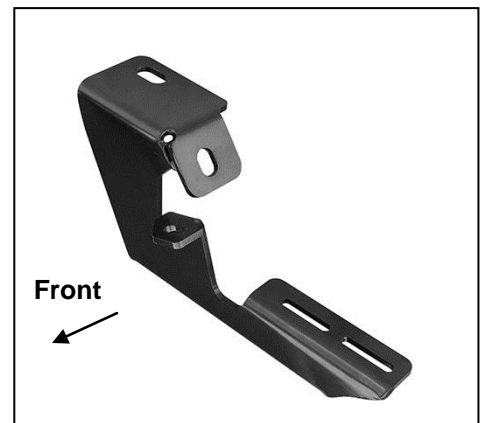
(Fig 4) Driver side front Mounting Bracket

Mounting slot not
used on front
brackets only



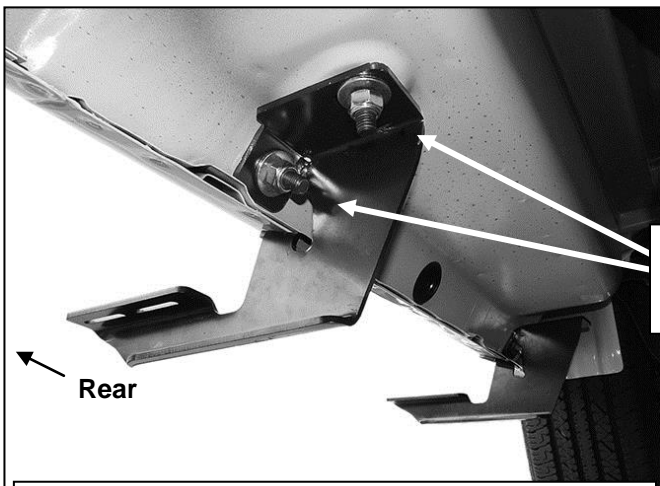
(Fig 5) Driver/left side front Bracket

12mm Flat Washer
12mm Lock Washer
12mm Hex Nut



(Fig 6) Driver/left rear Mounting Bracket

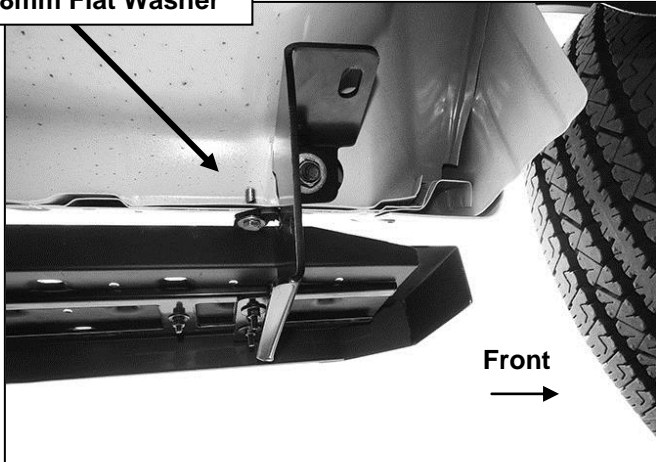
(2) 12mm Flat Washers
(2) 12mm Lock Washers
(2) 12mm Hex Nuts



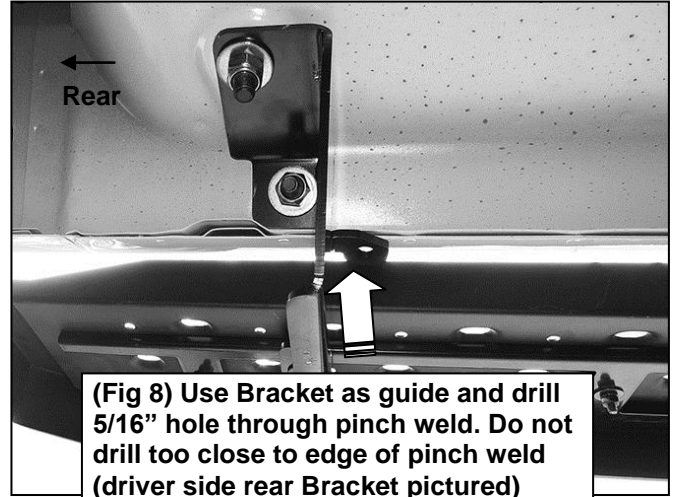
(Fig 7) Driver/left rear Mounting Bracket installed

Driver/Left side installation pictured

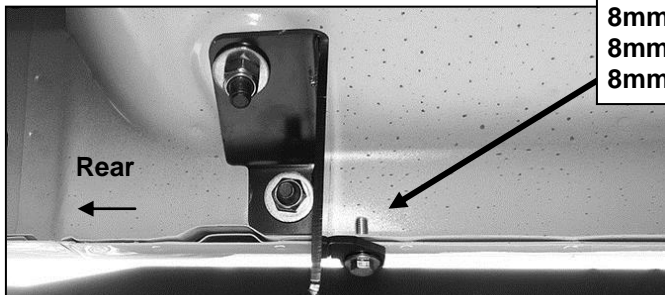
8mm Hex Bolt
8mm Lock Washer
8mm Flat Washer



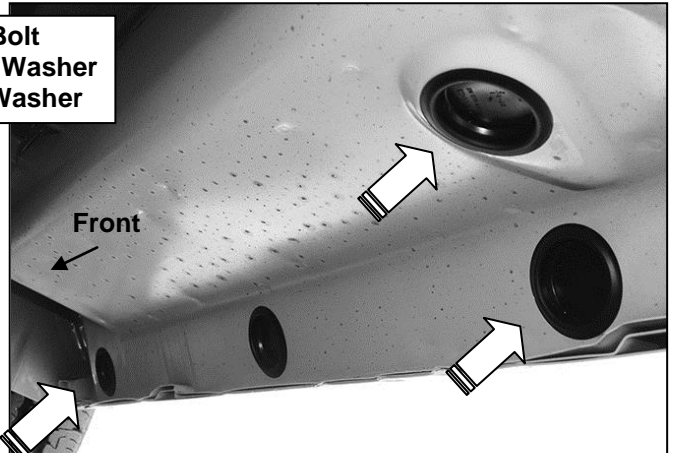
(Fig 9) Attach Driver side front Bracket to pinch weld



(Fig 8) Use Bracket as guide and drill 5/16" hole through pinch weld. Do not drill too close to edge of pinch weld (driver side rear Bracket pictured)

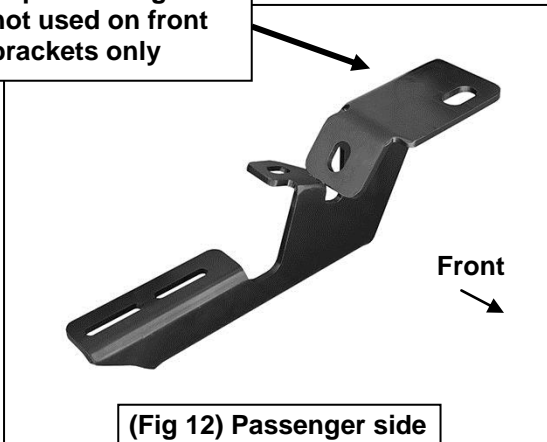


(Fig 10) Attach Driver side rear Bracket to pinch weld



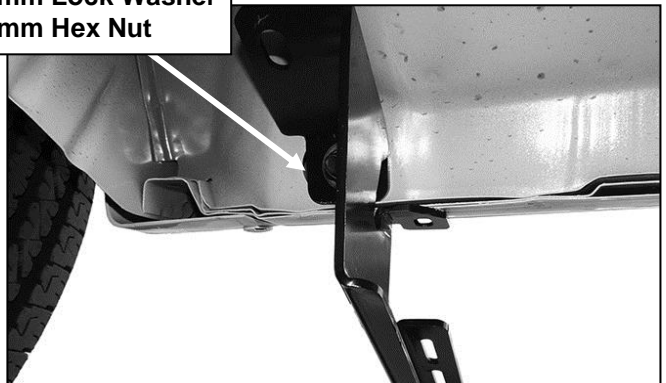
(Fig 11) Remove rubber plugs from (3) passenger side front and #2 Bracket mounting locations

Top mounting slot
not used on front
brackets only



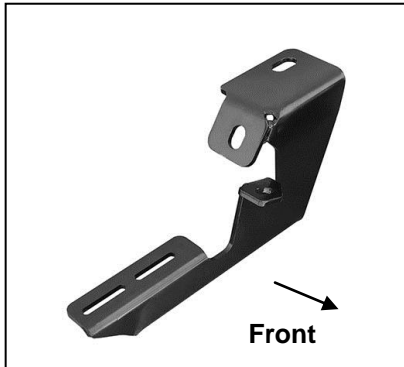
(Fig 12) Passenger side front Mounting Bracket

12mm Flat Washer
12mm Lock Washer
12mm Hex Nut

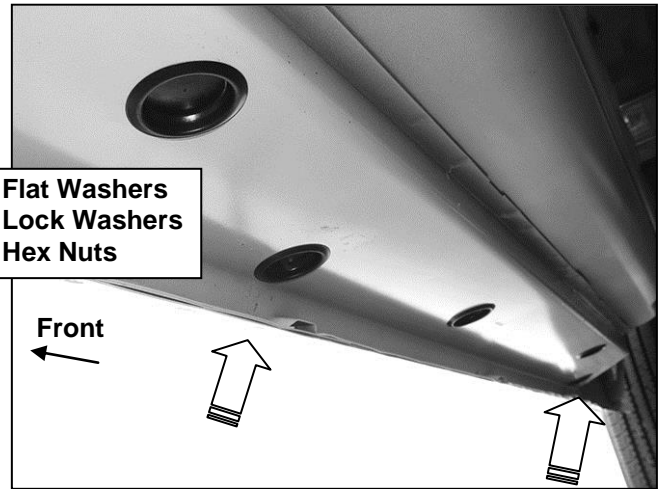


(Fig 13) Passenger/right side front Bracket

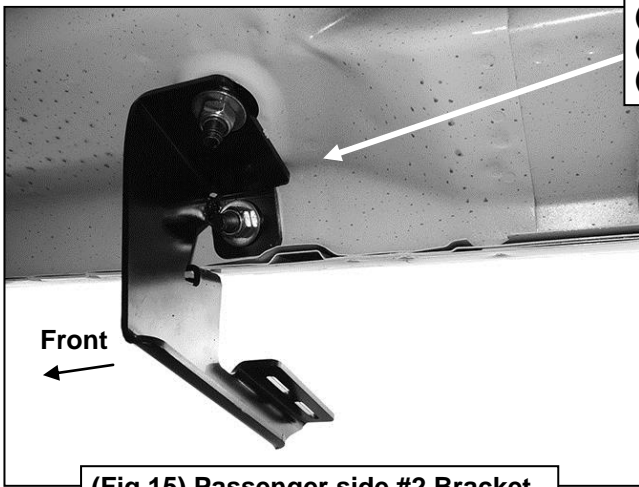
Passenger/right side installation pictured



(Fig 14) Passenger side #2 Bracket

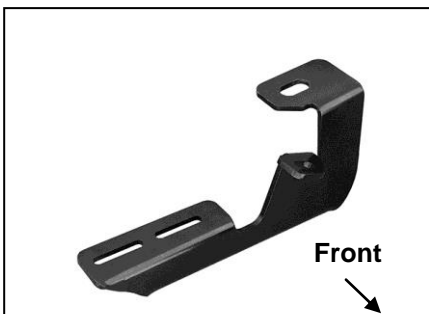


(Fig 16) Passenger side #3 and rear mounting locations (arrows)



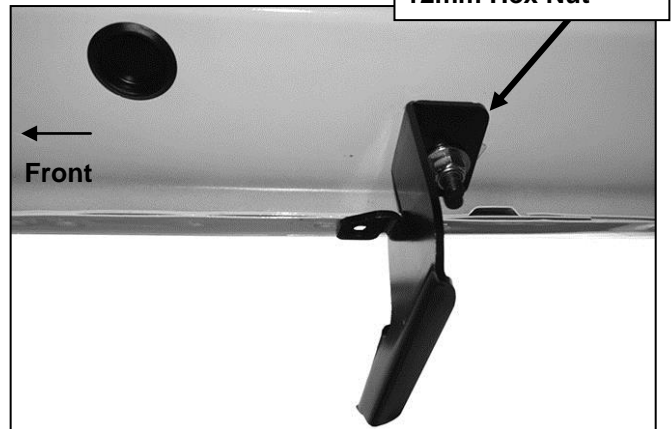
(Fig 15) Passenger side #2 Bracket

- (2) 12mm Flat Washers
- (2) 12mm Lock Washers
- (2) 12mm Hex Nuts



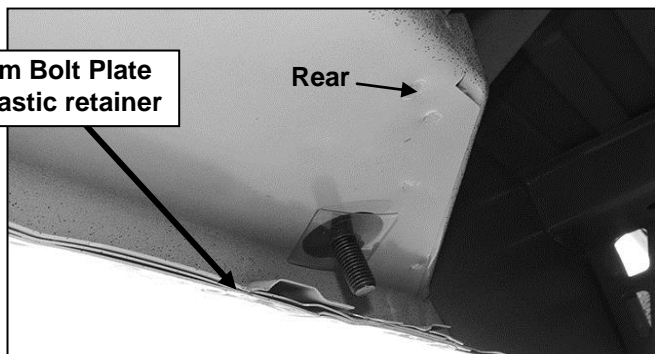
(Fig 17) Passenger/right #3 and/or rear Mounting Bracket

- 12mm Flat Washer
- 12mm Lock Washer
- 12mm Hex Nut

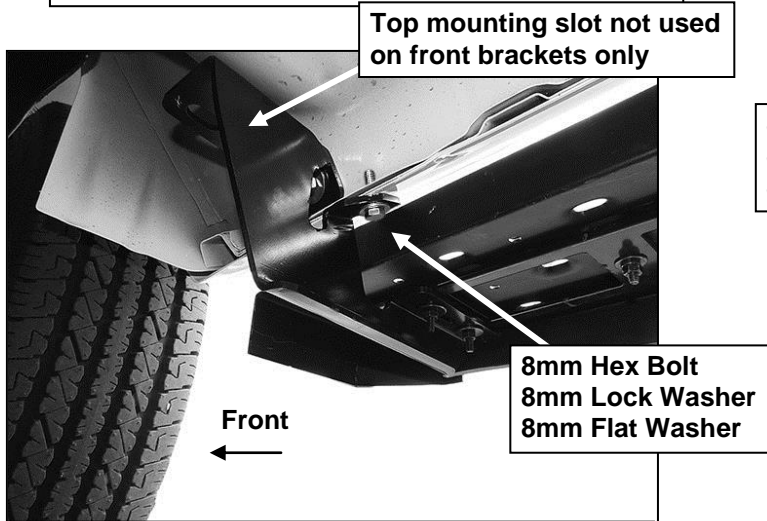


(Fig 18) Passenger side #3 Mounting Bracket

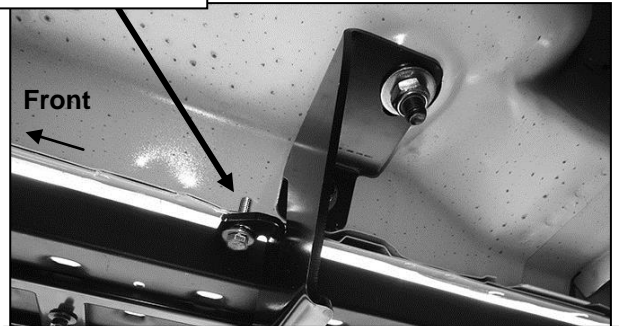
- 12mm Bolt Plate w/plastic retainer



(Fig 19) Passenger/right rear mounting location of the installation pictured

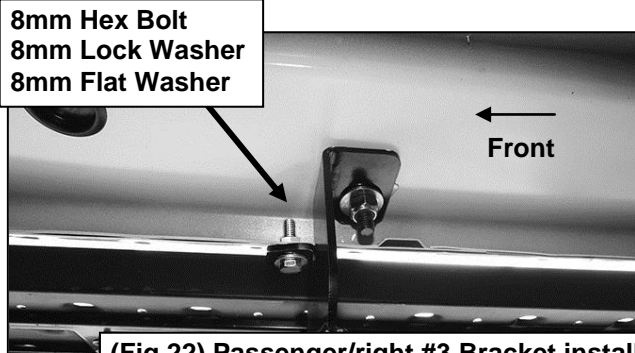


8mm Hex Bolt
8mm Lock Washer
8mm Flat Washer



(Fig 21) Passenger/right #2 Bracket installation

(Fig 20) Passenger/right front Bracket installation

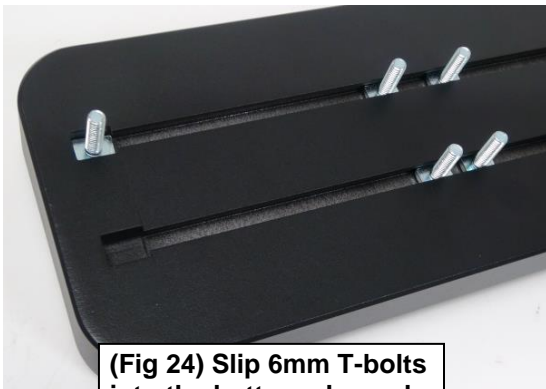


(Fig 22) Passenger/right #3 Bracket installation

8mm Hex Bolt
8mm Lock Washer
8mm Flat Washer

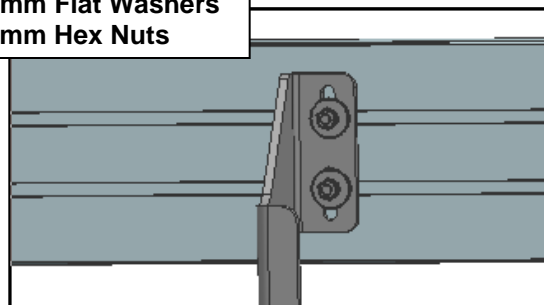


(Fig 23) Passenger/right rear Bracket installation



(Fig 24) Slip 6mm T-bolts into the bottom channel

(2)6mm T-bolts
(2)6mm Flat Washers
(2)6mm Hex Nuts



(Fig 25) Bracket installation