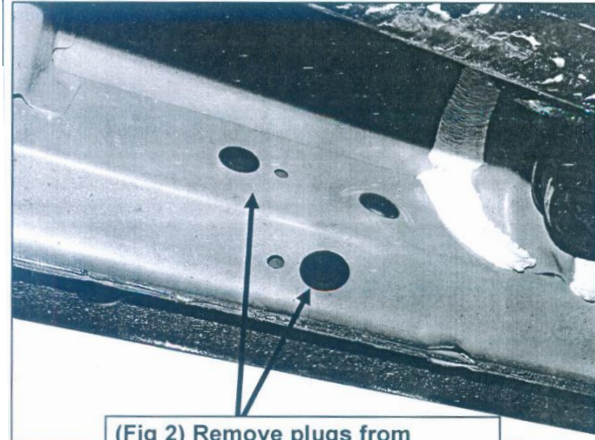
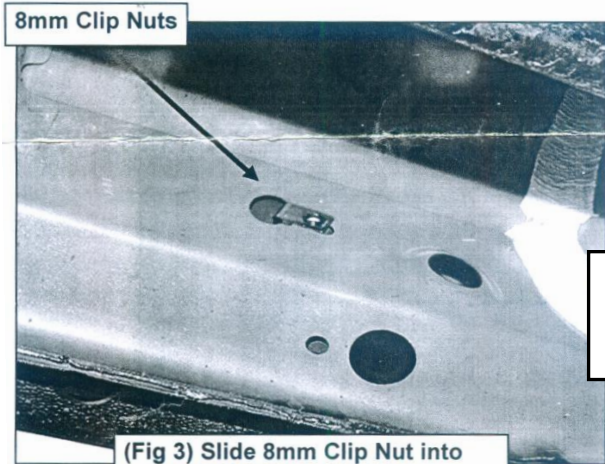


(Fig 1) Passenger side mounting locations along bottom and back of body panel illustrated



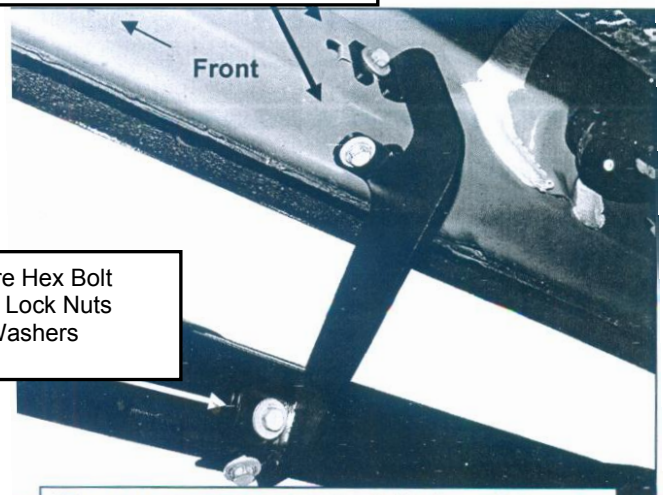
(Fig 2) Remove plugs from mounting locations as necessary

- (2) 8mm x 25mm Hex Bolts
- (2) 8mm Lock Washers
- (2) 8mm Flat Washers

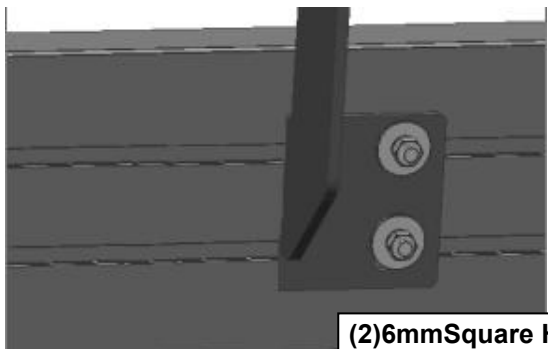


(Fig 3) Slide 8mm Clip Nut into large hole and over small hole

- (2) M6 Square Hex Bolt
- (2) M6 Nylon Lock Nuts
- (2) M6 Flat Washers



(Fig 4) Passenger side installation pictured



- (2) 6mm Square Hex Bolt
- (2) 6mm Flat Washers
- (2) 6mm Lock nuts