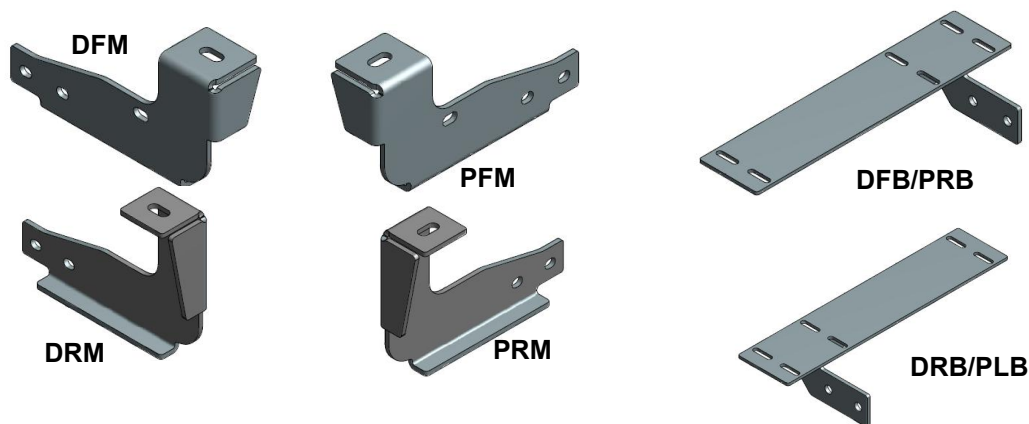


**PARTS LIST:**

Item	QTY	Description	Item	QTY	Description
#01	2	Driver/Passenger Sidebar	#10	4	M12 Lock Washers (Spare)
#02	1	Driver Front Mounting Bracket (DFM)	#11	8	M10X35mm Hex Head Bolts
#03	1	Passenger Front Mounting Bracket (PFM)	#12	16	M10 Flat Washers
#04	1	Passenger Rear Mounting Bracket (PRM)	#13	8	M10 Lock Washers
#05	1	Driver Rear Mounting Bracket (DRM)	#14	8	M10 Hex Nut
#06	2	Driver Front / Passenger Rear Bar Bracket (DFB/PRB)	#15	24	M6 X20mm Square Head Bolts
#07	2	Passenger Front / Driver Rear Bar Bracket (PFB/DRB)	#16	24	M6 Flat Washers
#08	4	M12X120mm Hex Head Bolts (Spare)	#17	24	M6 Nylon Lock Nut
#09	4	M12 Flat Washer (Spare)			

**INSTALLATION INSTRUCTION:**

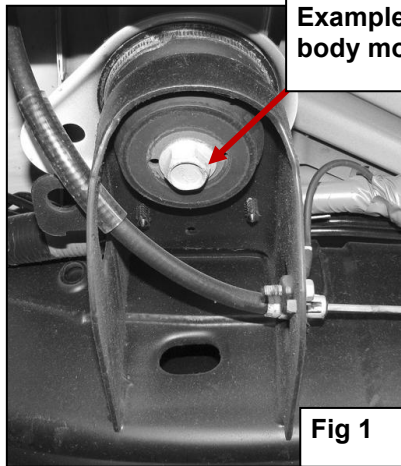
**REMOVE CONTENTS FROM BOX. VERIFY ALL PARTS ARE PRESENT. READ INSTRUCTIONS CAREFULLY BEFORE STARTING INSTALLATION.**

1. Start the installation under the Driver side of the vehicle. Remove the front and rear body mount hex bolts. Do not remove the rubber bushings. See **Fig 1**.
2. Assemble the Driver side Mounting brackets & Bar brackets, as shown on **Fig 2A & 2B**.
3. Hang the assembled driver side front and rear Mounting Brackets from the body mounts using the factory hex bolts. **NOTE:** On some model years, the factory bolt and flat washer cannot be reinstalled due to Bracket interference. Replace the factory hex bolts and washers with the included 12mm x 120mm Hex Bolts, 12mm Lock Washers and 12mm Large Flat Washers. Do not tighten hardware at this time.
4. Select the step bar. Slip (12) 6mm T-Bolts into each bottom channel (**Figure 3**).
5. Carefully position the Running Board onto the (2) Mounting Brackets. **IMPORTANT:** Do not slide the Running Board on the Brackets or damage to the finish may result. Attach the Running Board to the Mounting Brackets with (12) 6mm T-bolts, (12) 6mm flat washers and (12) 6mm lock nuts, (**Figure 4**). Do not tighten hardware.
6. Level and adjust the Sidebar and tighten all hardware.
7. Repeat steps for passenger side.
8. Do periodic inspections to the installation to make sure all hardware is secure and tighten.

**To protect your investment**, wax this product after installing. Regular waxing is recommended to add a protective layer over the finish. Do not use any type of polish or wax that may contain abrasives that could damage the finish.

**For Polished Finishes:** Aluminum polish may be used to polish small scratches and scuffs on the finish. Mild soap may be used also to clean the Running Board.

**For black finishes:** Mild soap may be used to clean the Running Board.



Example of GM factory body mount bolt



Fig 3 Slip M6 Square Head Bolts into channel

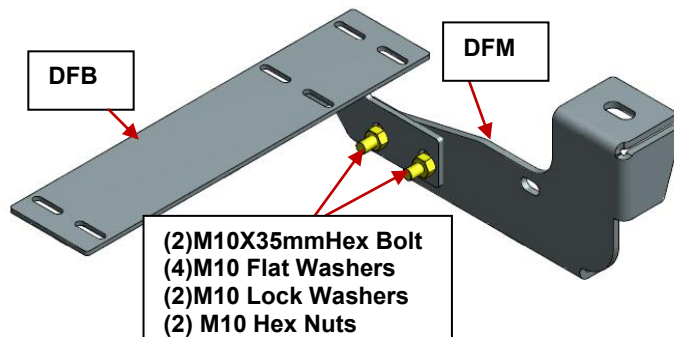


Fig2A. Driver Front Mounting Bracket Assembly

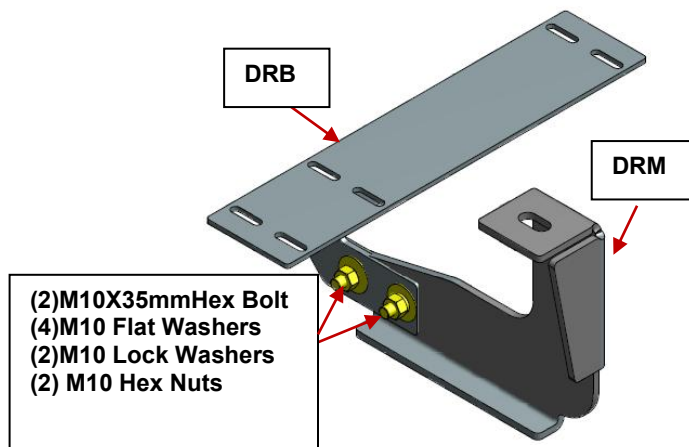


Fig2B. Driver Rear Mounting Bracket Assembly (Bar & Bracket Detail)

IB(5",4)) RUNNING BOARD

00-15 Chevy Tahoe (Excl. 04-07 "Z71" & models w/ lower body cladding)

00-16 GMC Yukon 1500 / 01-15 Cadillac Escalade SUV

