

(6",5",4")RUNNING BOARD
For 2004-2012 Chevy Colorado / GMC Canyon Extended Cab / Regular Cab

Installation Instructions for IB03EJA9/IB03EJB0

by APS Auto Parts Specialist Inc.

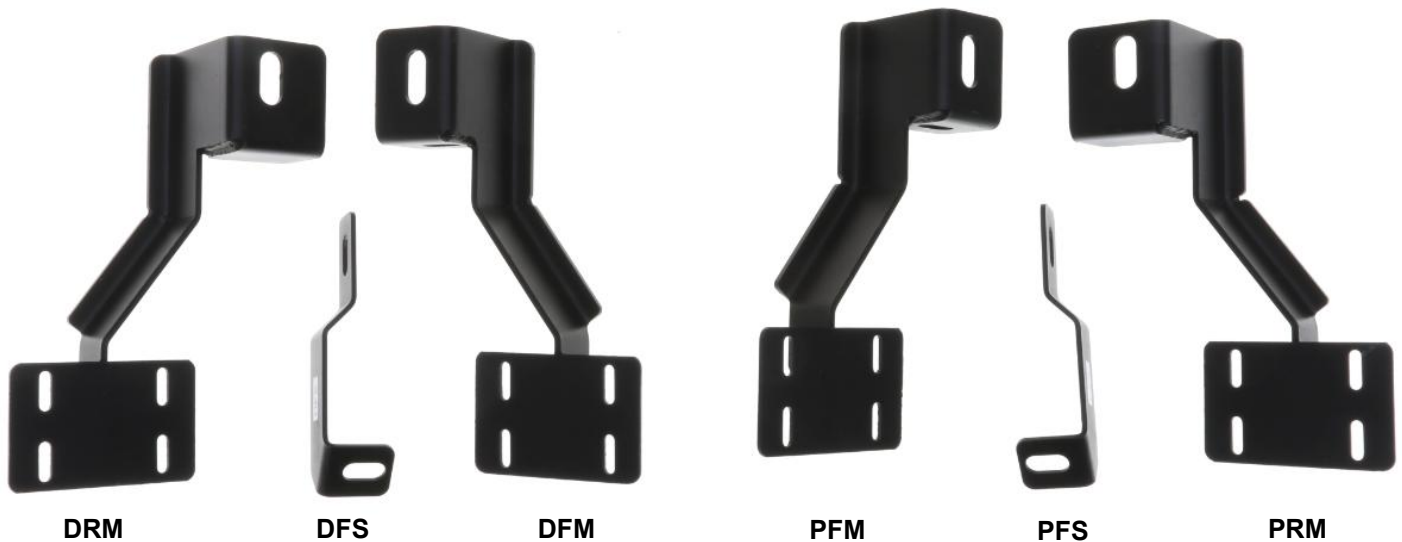
Application: For 2004-2012 Chevy Colorado / GMC Canyon Extended Cab / Regular Cab
Estimated Time: 1 to 2 hours



Disclaimer: Instructions intended for persons aged 18+ please do not attempt without adult supervision. Instructions are not intended to replace professional installation. Damage from improper installation, misuse or modification to the product voids the manufacturer's warranty.

PARTS LIST:

Item	QTY	Description	Item	QTY	Description
#01	2	Running Board(use for left or right)	#09	2	M12X1.75mm - 120mm Hex Bolts
#02	1	Driver/Left Front Mounting Bracket (DFM)	#10	2	M12X1.75mm - 30mm Hex Bolts
#03	1	Driver/Left Front Support Bracket(DFS)	#11	8	12mm x 37mm x 3mm Flat Washers
#04	1	Passenger/Right Front Mounting Bracket(PFM)	#12	4	M12 Lock Washers
#05	1	Passenger/Right Front Support Bracket(PFS)	#13	4	M12 Hex Nuts
#06	1	Driver/Left Rear Mounting Bracket(DRM)	#14	16	M6X1.0mm - 20mm T-Bolts
#07	1	Passenger/Right Rear Mounting Bracket(PRM)	#15	16	6mm x 22mm OD x 2mm Flat Washers
#08	4	15.5mm x 50mm OD x 4mm Flat Washers	#16	16	M6 Lock Nuts

**PROCEDURE:**

REMOVE CONTENTS FROM BOX. VERIFY ALL PARTS ARE PRESENT. READ FACTORY BODY BOLT REMOVAL INSTRUCTIONS AND INSTALLATION INSTRUCTIONS CAREFULLY BEFORE STARTING INSTALLATION.

- Starting on the driver side, remove the factory front body mount bolt from the underside of the cab. **NOTE:** Factory body mount bolts will need to be driven out of and back into the steel washer molded into the rubber bushing. Take precautions to avoid damage to the threads or the washer and bushing, **(Figure 1)**.
- Locate the driver side front Mounting Bracket and bolt it to the vehicle using the factory body mount bolt, **(Figure 2)**. **NOTE:** Brackets mount over bushings. Do not tighten at this time.
- Select the driver side Front Support Bracket and insert (1) M12 x 120mm Hex Bolt with (1) 12mm Flat Washer through the mounting slot. Place (2) 15.5mm x 50mm OD x 4mm Flat Washers onto the 12mm Hex Bolt between the Support Bracket and the factory body mount, **(Figure 3)**. Insert the M12 Hex Bolt up through the holes in the factory body mount and secure with (1) M12 Flat Washer, (1) M12 Lock Washer and (1) M12 Hex Nut, **(Figure 4)**. Snug but do not tighten hardware at this time.
- Locate the driver side rear Mounting Bracket and bolt it to the vehicle using the factory body mount bolts, **(Figure 5)**. **NOTE:** Brackets mount over bushings. Refer to Step 1 for installation instructions.
- Line up the mounting hole in the Front Support Bracket with the hole in the Front Mounting Bracket, **(Figure 6)**. Use the included (1) M12-1.75mm x 30mm Hex Bolts, (1) M12 Lock

Washers, (1) M12 Hex Nuts and (2) 12mm x 32mm x 3mm Flat Washers to attach the Driver/left Front Mounting Bracket.

6. Select the Running Board. Slip (8) M6 T-Bolts into each bottom channel (**Figure 7**). Carefully position the Running Board onto the Mounting Brackets. Attach the Running Board to the Mounting Brackets with (4) M6 T-bolts, (4) 6mm flat washers and (4) M6 lock nuts, (**Figure 8**). Do not tighten hardware at this time.
7. Level and adjust the Running Board and fully tighten all hardware.
8. Repeat **Steps 1—7** for passenger side Running Board installation.
9. Do periodic inspections to the installation to make sure that all hardware is secure and tight.

To protect your investment, wax this product after installing. Regular waxing is recommended to add a protective layer over the finish. Do not use any type of polish or wax that may contain abrasives that could damage the finish.

For Polished Finishes: Aluminum polish may be used to polish small scratches and scuffs on the finish. Mild soap may be used also to clean the Running Board.

For Black Finishes: Mild soap may be used to clean the Running Board.

Driver Side Installation Pictured

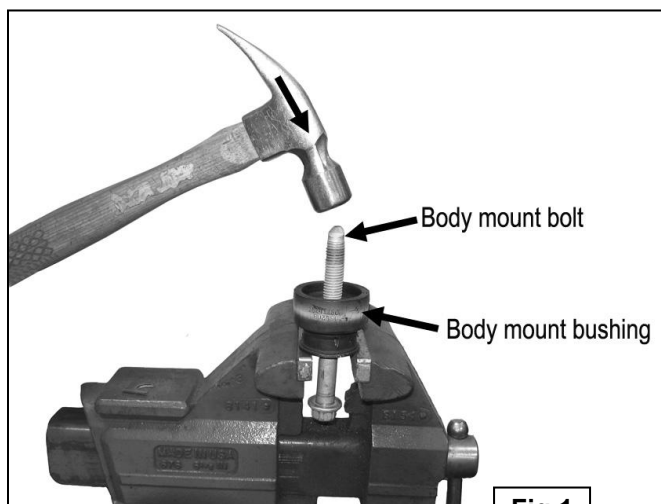


Fig 1

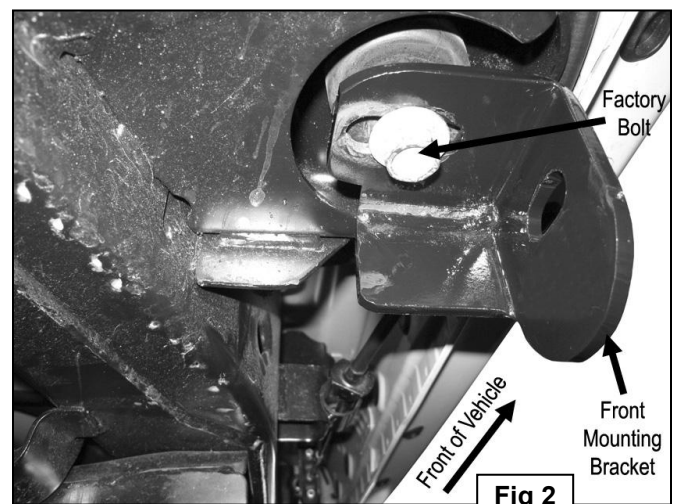
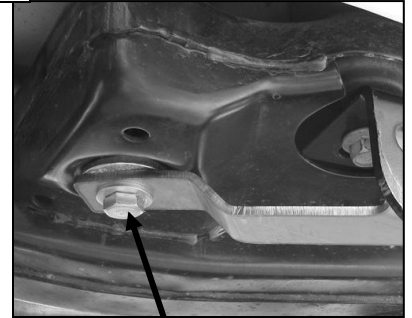
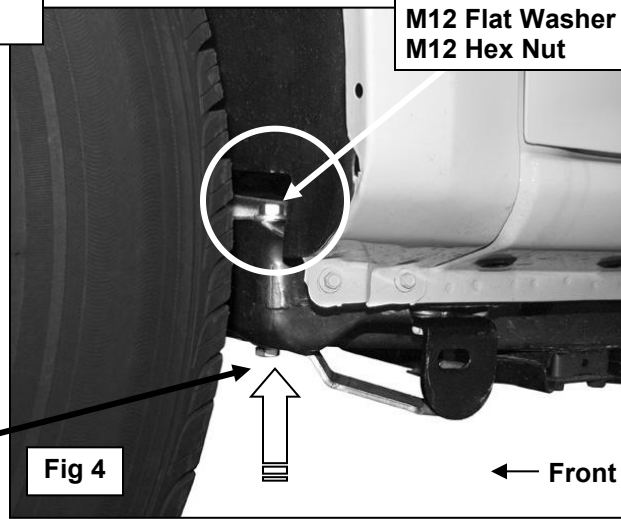
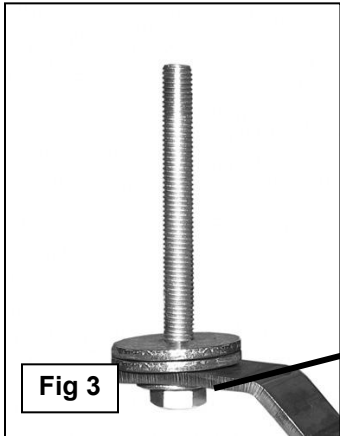


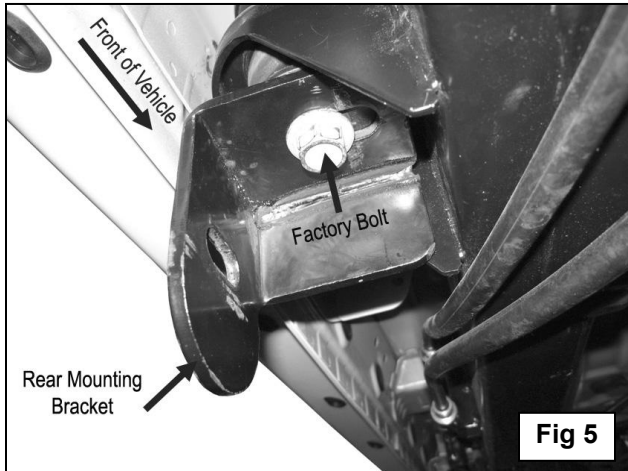
Fig 2

- (1)M12 x 120mm Hex Bolt
- (1)1M2 Flat Washer
- (2) 15.5mm x 50mm OD x 4mm Flat Washers

- M12 Lock Washer
- M12 Flat Washer
- M12 Hex Nut

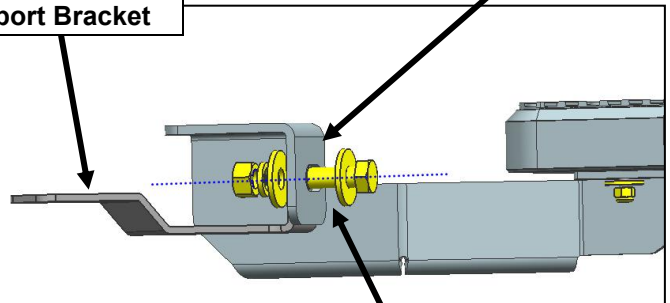


Flat Washers fit into indent on factory body mount housing



Driver/left Front Support Bracket

Line up hole in Support Bracket with hole in Mounting Bracket

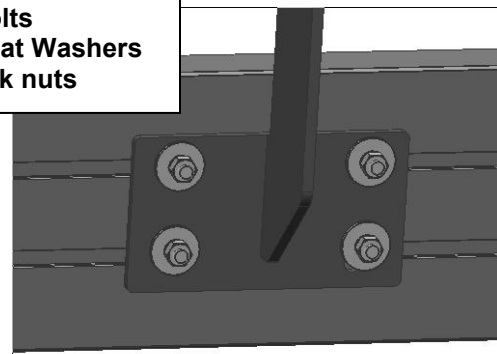


- (1)M12x 30mm Hex Bolts
- (1)M12 Lock Washers
- (1) M12 Hex Nuts
- (2) M12 Flat Washers



(Fig 7) Slip 6mm T-bolts into the bottom channel

- (4)M6T-bolts
- (4)6mm Flat Washers
- (4)M6 Lock nuts



(Fig 8) Driver side Center Bracket Installation