



For 2013-2018 Infiniti QX60/2013-2019 Nissan Pathfinder (Excl. Platinum model)

Installation Instructions for IA14SIG2B by APS Auto Parts Specialist Inc.

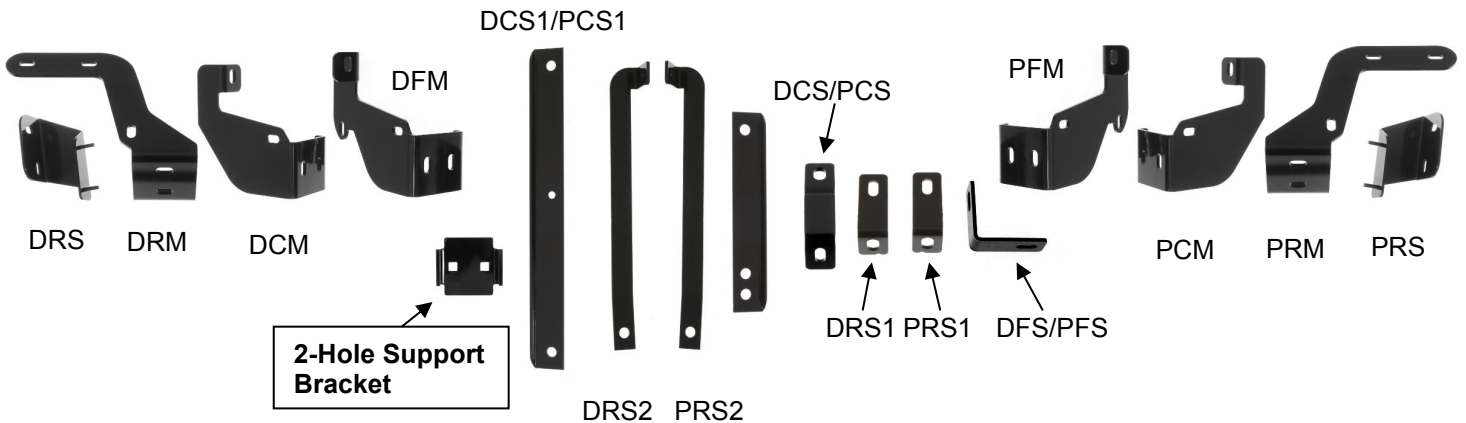
Application: For 2013-2018 Infiniti QX60/2013-2019 Nissan Pathfinder (Excl. Platinum model)
Estimated Time: 1 to 2 hours



The instruction here is for your reference only. We strongly recommend the professional installer for best result. We are not responsible for any damage caused by the installation. Thank you for choosing our product!

PARTS LIST:

Item	QTY	Description	Item	QTY	Description
#1	2	Driver/ Passenger Side Bar	#16	4	Front and Rear Locking Plates
#2	1	Driver Front Mounting Bracket (DFM)	#17	2	Long Center Locking Plates (DCS1/PCS1)
#3	1	Passenger Front Mounting Bracket(PFM)	#18	2	M10 Double Bolt Plates
#4	1	Driver Front Long Inner Support Bracket (DRS2)	#19	18	M10X35 Low Profile Single Bolt Plates
#5	1	Passenger Front Long Inner Support Bracket (PRS2)	#20	18	10mm Plastic Retainers
#6	2	Front "L" Outer Support Brackets (DFS/PFS)	#21	22	M10 Large Flat Washer
#7	1	Driver/Left Center Mounting Bracket (DCM)	#22	34	M10 Lock Washer
#8	1	Passenger/Right Center Mounting Bracket (PCM)	#23	34	M10X1.5 Hex Nuts
#9	2	Center Support Brackets (DCS/PCS)	#24	6	M8X1.25-30 Hex Bolts
#10	1	Driver Rear Frame Mounting Bracket (DRS)	#25	18	M8 Flat Washer
#11	1	Passenger Rear Frame Mounting Bracket (PRS)	#26	10	M8 Lock Washer
#12	1	Driver/Left Rear Mounting Bracket (DRM)	#27	10	M8X1.25 Hex Nuts
#13	1	Passenger/Right Rear Mounting Bracket (PRM)	#28	6	2-Hole Support Bracket
#14	1	Driver/Left Rear "7" Outer Support Bracket (DRS1)	#29	12	M10X1.5-75 Carriage Bolts
#15	1	Passenger/Right Rear "7" Outer Support Bracket (PRS1)	#30	12	M10 Flat Washer



PROCEDURE:

1. REMOVE CONTENTS FROM BOX. VERIFY ALL PARTS ARE PRESENT. READ INSTRUCTIONS CAREFULLY BEFORE STARTING INSTALLATION.
2. Start installation on the passenger side of the vehicle. Locate and remove the (2) rubber plugs in the bottom of the outer frame channel closest to the front wheel opening, **(Figure 1)**
3. Select (2) 10mm Bolt Plates and (2) 10mm Plastic Retainers, **(Figure 2A)**. Partially thread the Retainers onto the Bolt Plates. **NOTE:** The Plastic Retainer is designed to help hold the Bolt Plate in place during Bracket installation.
4. Insert (1) Bolt Plate into the first-forward hole with the plate pointed toward the rear of the vehicle, **(Figure 2B)**. Thread the Plastic Retainer down tight against the body panel. Repeat to install the next Bolt Plate into the second hole with the Plate pointed toward the front of the vehicle, **(Figure 3)**
IMPORTANT: The Plates on the (2) Bolt Plates must be pointed toward each other, **(Figure 3)**

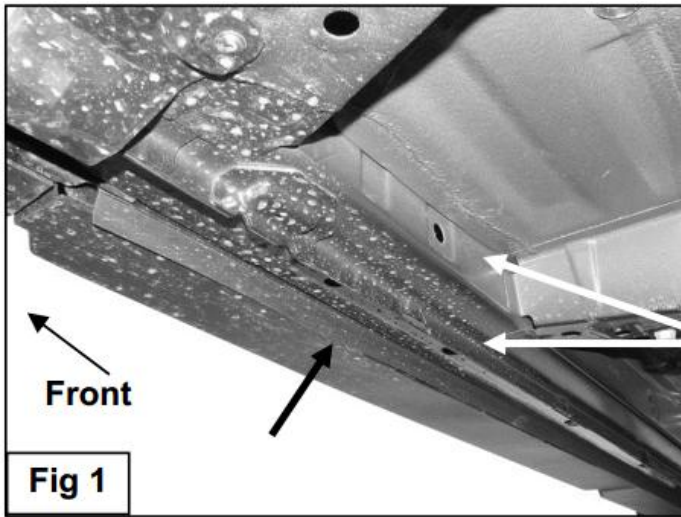
5. Select (1) Lock Plate, **(Figure 3)**. Slide the Lock Plate over the (2) Bolt Plates with the bent side toward the pinch weld. Attach the Lock Plate to the rear Bolt Plate only with (1) 10mm Flat Washer, (1) 10mm Lock Washer and (1) 10mm Hex Nut, **(Figure 4)**. Tighten the Hex Nut at this time.
6. Locate the round hole in the back of the outer frame channel directly behind the previously installed Bolt Plates, **(Figure 5)**. Remove the rubber plug. Select (1) 10mm Bolt Plate and (1) 10mm Plastic Retainer, **(Figure 2A)**. Partially thread the Retainer onto the Bolt Plate. Insert the Bolt Plate into the hole and tighten the Retainer as previously described.
IMPORTANT: Mounting areas may be covered with undercoating. Scrape excess undercoating from body panel at all mounting locations. Brackets must mount flat against body panels.
7. Select (1) Front "L" Support Bracket, **(Figure 6A)**. Attach the shorter leg on the Support Bracket to the front Bolt Plate with (1) 10mm Flat Washer, (1) 10mm Lock Washer and (1) 10mm Hex Nut, **(Figure 6B)**. Leave hardware loose at this time.
8. Select the passenger side Front Mounting Bracket. Attach the Bracket to the Bolt Plate in the back of the frame channel first with (1) 10mm Flat Washer, (1) 10mm Lock Washer and (1) 10mm Hex Nut, **(Figure 7)**. Attach the Mounting Bracket to the back of the "L" Support Bracket with (1) 8mm Hex Bolt, (2) 8mm Flat Washers, (1) 8mm Lock Washer and (1) 8mm Hex Nut, **(Figures 7 & 8)**. Do not tighten hardware at this time.
9. Next, locate the factory holes in the bottom of the inner frame channel directly behind the tie down loop where the frame is joined together. Determine the correct factory hole to use:
Passenger side installation: Use the 2nd factory hole back from the loop, **(Figure 10)**
Driver side installation: Use the factory hole closest to the loop, **(Figure 9B)**
10. Select (1) 10mm Bolt Plate and (1) 10mm Plastic Retainer, **(Figure 9A)**. Partially thread the Retainer onto the Bolt Plate. Insert the Bolt Plate into the correct factory hole in the frame channel as identified in **Step 9 (Figures 9B & 10)**
IMPORTANT: The driver side and passenger side Front Inner Support Brackets do not install in the same manner.
11. Select the correct Inner Front Support Bracket, **(Figure 11)**. Attach the 90-degree bent end of the Support Bracket to the Bolt Plate in the frame channel with (1) 10mm Flat Washer, (1) 10mm Lock Washer and (1) 10mm Hex Nut, **(Figure 12)**. Bolt the outer end of the Support Bracket to the front Mounting Bracket with (1) 8mm Hex Bolt, (2) 8mm Flat Washers, (1) 8mm Lock Washer and (1) 8mm Hex Nut, **(Figure 12)**. Do not tighten hardware at this time.
Attach the driver side inner Support Bracket to the front of the Front Mounting Bracket, **(Figure 12)**
Attach the passenger side Inner Support Bracket to the back of the Front Mounting Bracket, **(Figure 10)**
12. Move along the side of the vehicle to approximately the center/back of the front door. Locate the single hole in the back of the outer frame channel, **(Figure 15B)**. Remove rubber plug if equipped. Next locate and remove the (2) rubber plugs from the bottom of the outer frame channel. Repeat **Steps 2-5** to install the (2) Bolt Plates and (1) Long Center Lock Plate to the bottom of the frame channel, **(Figures 13B & 14)**
13. Select (1) 10mm Bolt Plate and (1) 10mm Plastic Retainer, **(Figure 13A)**. Partially thread the Retainer onto the Bolt Plate. Insert the Bolt Plate into the hole in the back of the frame channel, **(Figure 15B)**
14. Select (1) Center Support Bracket, **(Figure 15A)**. Attach the long end of the Support Bracket to the forward Bolt Plate in the frame channel with (1) 10mm Flat Washer, (1) 10mm Lock Washer and (1) 10mm Hex Nut, **(Figures 15B & 17)**. Select the passenger side Center

Bracket, **(Figure 16)**. Attach the Bracket to the Bolt Plate in the back of the frame channel with (1) 10mm Flat Washer, (1) 10mm Lock Washer and (1) 10mm Hex Nut. Bolt the remaining end of the Support Bracket to the front of the Center Bracket with (1) 8mm Hex Bolt, (2) 8mm Flat Washers, (1) 8mm Lock Washer and (1) 8mm Hex Nut, **(Figure 17)**. Do not tighten hardware at this time.

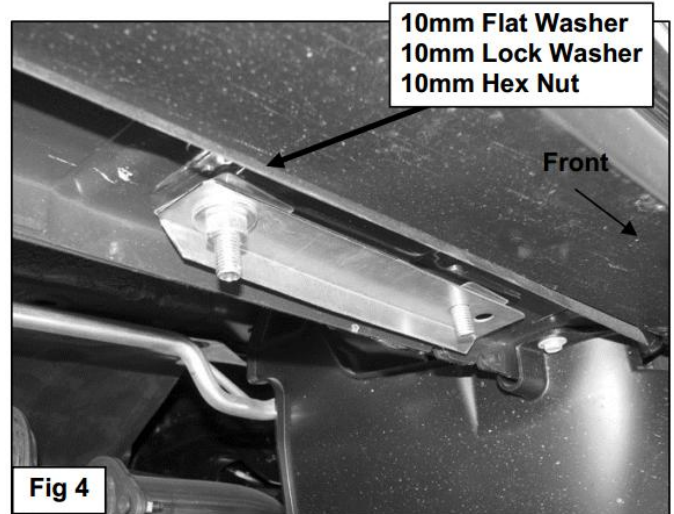
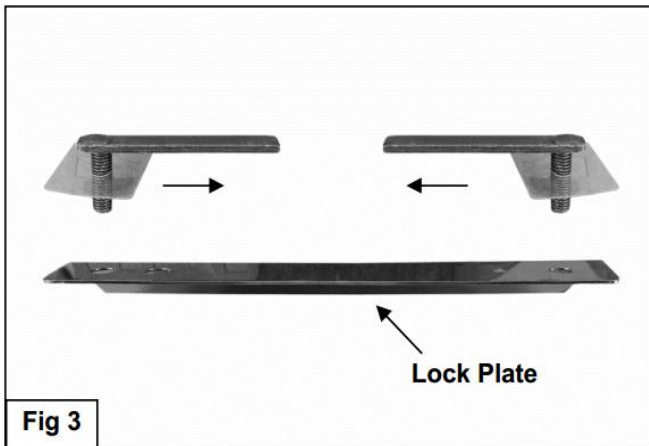
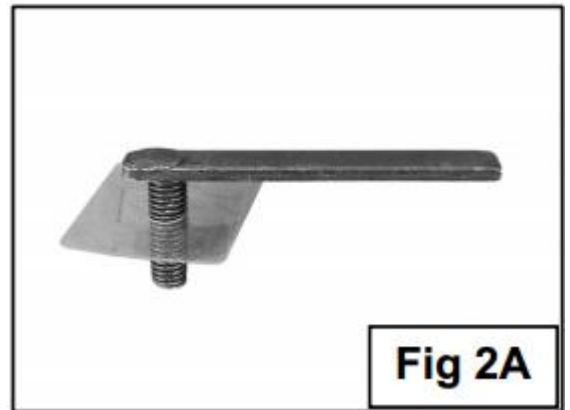
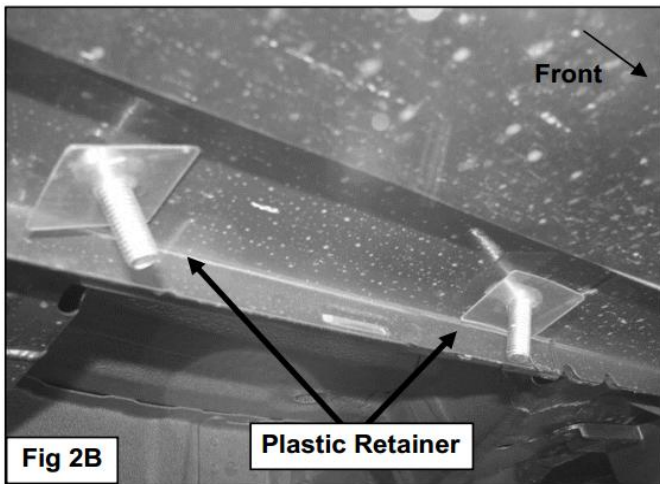
15. Move to the rear mounting location in front of the passenger side rear tire opening. Locate the large oval and the round holes in the inner body panel in front of the rear tire, **(Figure 18)**. Select (1) 10mm Double Bolt Plate and (1) 10mm Plastic Retainer, **(Figure 19A)**. Insert the Bolt Plate into the oval hole and up and out of the smaller round hole above it. Thread the Plastic Retainer onto the Bolt Plate in the round hole only, **(Figure 19B)**
16. Locate the last (2) round holes along the floor panel, **(Figure 18)**. Repeat **Steps 2-5** to install the (2) Bolt Plates and Lock Plate, **(Figures 20A & 20B)**
NOTE: Attach the Lock Plate to the front Bolt Plate only with (1) 10mm Flat Washer, (1) 10mm Lock Washer and (1) 10mm Hex Nut, **(Figure 21)**. Tighten the Hex Nut at this time.
17. Select the passenger side rear Frame Bracket, **(Figure 22)**. Attach the Frame Bracket to the Double Bolt Plate with (2) 10mm Flat Washers, (2) 10mm Lock Washers and (2) 10mm Hex Nuts, **(Figure 23)** Do not tighten hardware at this time. Next, attach the driver side Rear Mounting Bracket to the front of the Frame Bracket with (2) 8mm Flat Washers, (2) 8mm Lock Washers and (2) 8mm Hex Nuts, **(Figure 24)**. Do not tighten hardware at this time.
18. Select the passenger side "7" Rear Support Bracket, **(Figure 25)**. Attach the Support Bracket to the rear Bolt Plate with (1) 10mm Flat Washer, (1) 10mm Lock Washer and (1) 10mm Hex Nut, **(Figures 22 & 26)**. Do not tighten hardware. Line up the remaining hole in the Rear Bracket with the "7" Rear Support Bracket. Bolt the Mounting Bracket to the back of the "7" Rear Support Bracket with (1) 8mm Hex Bolt, (2) 8mm Flat Washers, (1) 8mm Lock Washer and (1) 8mm Hex Nut, **(Figure 26)**. Do not tighten hardware at this time.
19. Select the Passenger Side Bar. Slip (2) M10X1.5-75 Carriage Bolts into each 2-Hole Support Brackets, and insert the 2-Hole support bracket into the Driver Side Bar. **(Fig 27)**. Carefully position the Bar onto the (3) Mounting Brackets. **IMPORTANT:** Do not slide the Bar on the Brackets or damage to the finish may result. Attach the Driver Side Bar to the Mounting Brackets with (2) M10 Hex Nuts, (2) M10 lock washers and (2) M10 flat washers, **(Fig 28)**. Do not tighten hardware.
20. Level and adjust the Bar properly and tighten all hardware. **NOTE: Torque all M10 X1.5-75 Carriage Bolts to 22~25 lb-ft. Don't over tighten, or the aluminum square bars will be damaged by the brackets.**
21. Repeat Step 2-20 for the other side installation.
22. Installation completed!!! **(See Fig 29)**
23. Do periodic inspections to the installation to make sure that all hardware is secure and tight.

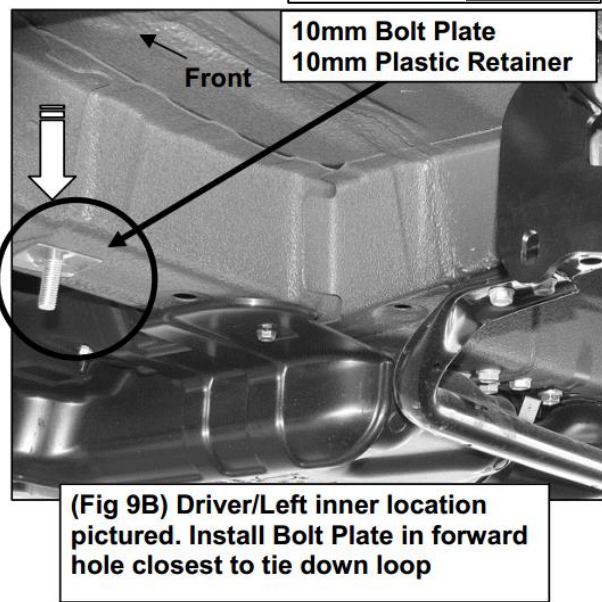
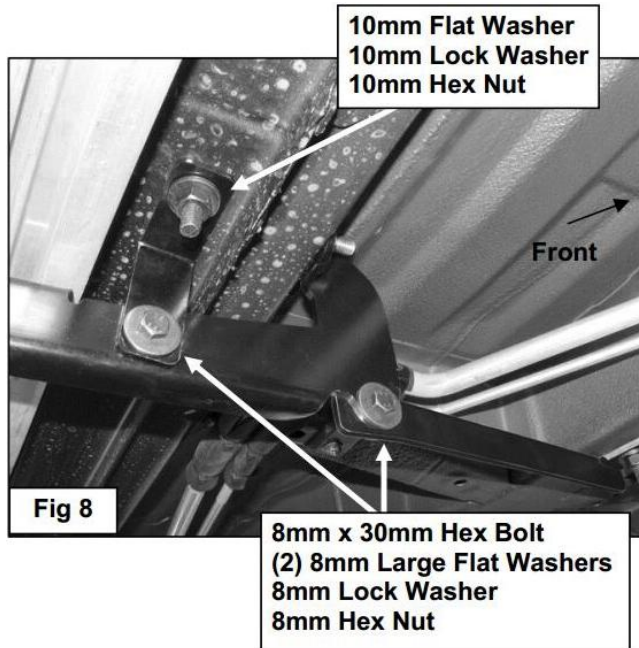
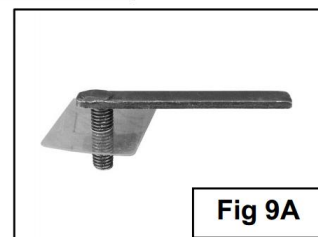
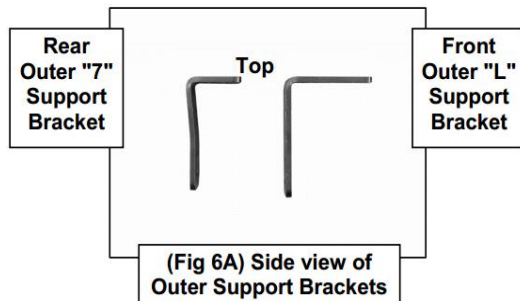
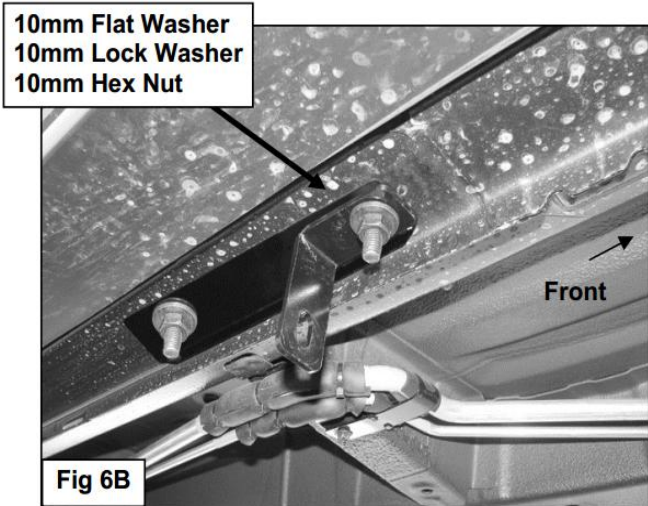
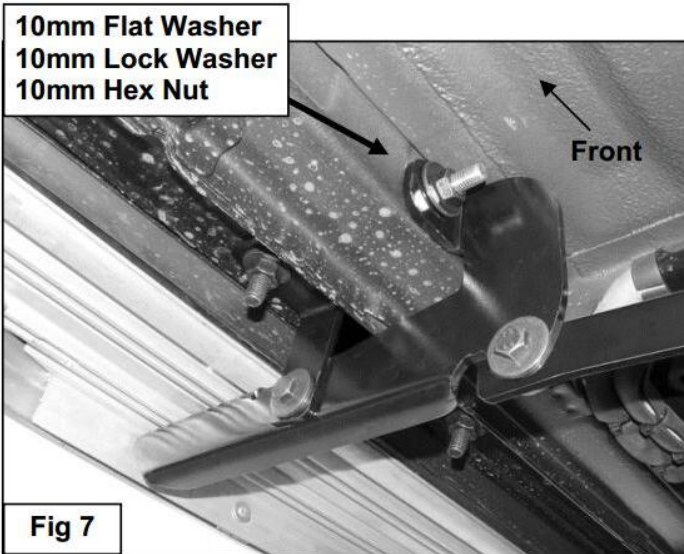
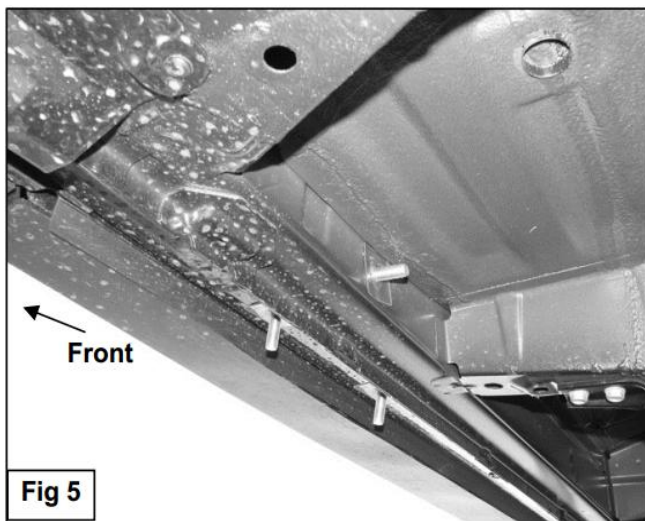
Products have a high quality finish that must be cared for like any other exposed finish on the vehicle. Protect the finish with a non-abrasive automotive wax, (e.g. Pure Carnauba) on a regular basis. The use of any soap, polish or wax that contains an abrasive is detrimental, as the compounds scratch the finish and open it to corrosion.

Driver/Passenger Side Installation Pictured



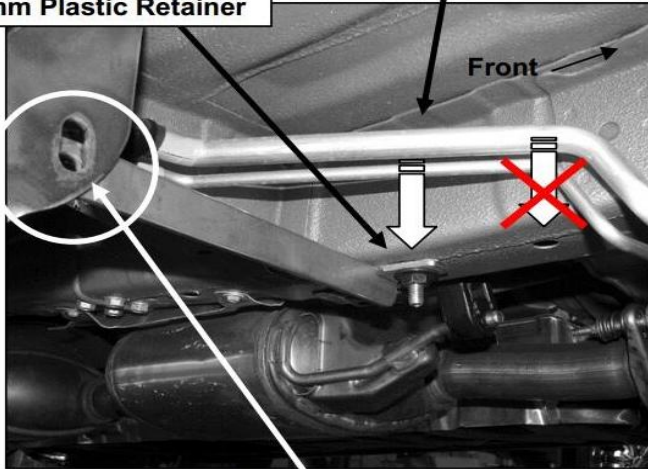
Passenger side front mounting location pictured from below. Remove (3) rubber plugs from factory holes





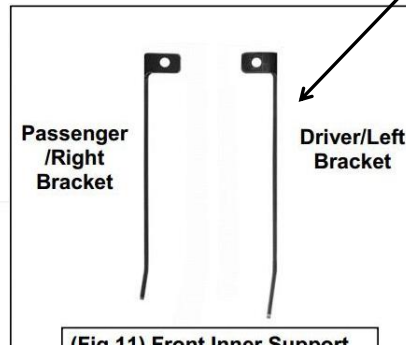
10mm Bolt Plate
10mm Plastic Retainer

Passenger/right inner location pictured. Install Bolt Plate in 2nd hole behind tie down loop



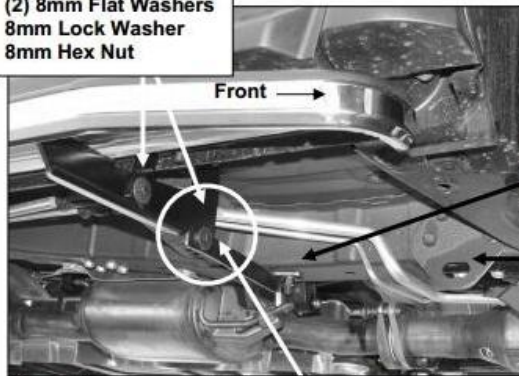
(Fig 10) Passenger/Right inner location pictured. Bolt Support Bracket to back side of Front Bracket

8mm x 30mm Hex Bolt
(2) 8mm Flat Washers
8mm Lock Washer
8mm Hex Nut



(Fig 11) Front Inner Support Brackets pictured from above

8mm x 30mm Hex Bolt
(2) 8mm Flat Washers
8mm Lock Washer
8mm Hex Nut



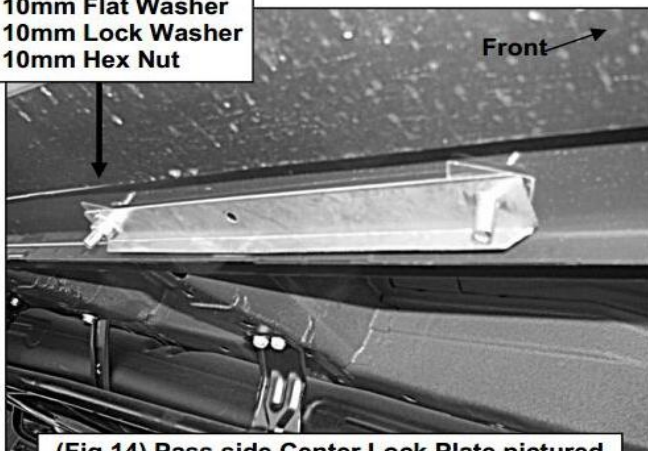
10mm Flat Washer
10mm Lock Washer
10mm Hex Nut

(Fig 12) passenger side Inner Front Support Bracket pictured.
NOTE: Bolt passenger side Support Bracket to back of Front Bracket.
Bolt driver side Support Bracket to front of Front Bracket



Fig 13A

10mm Flat Washer
10mm Lock Washer
10mm Hex Nut



(Fig 14) Pass side Center Lock Plate pictured

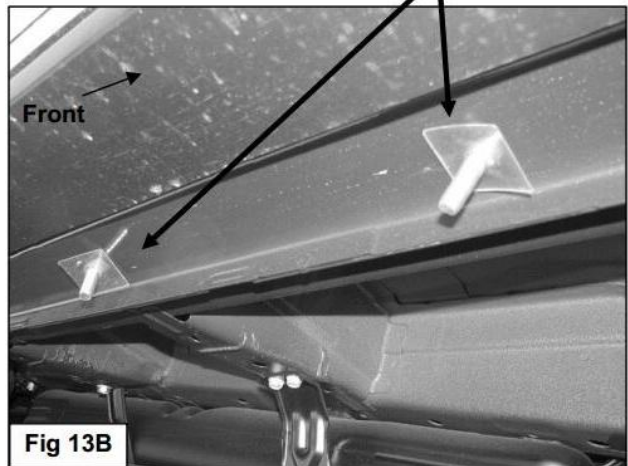
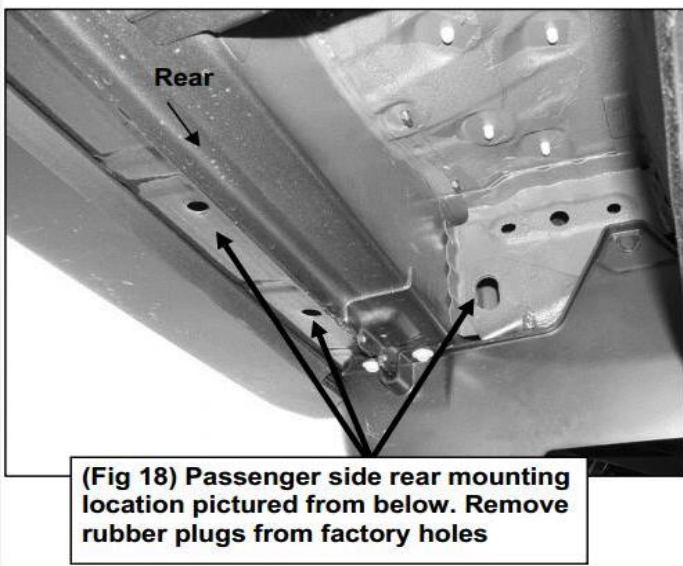
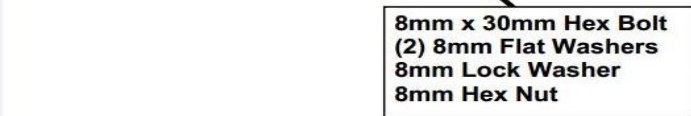
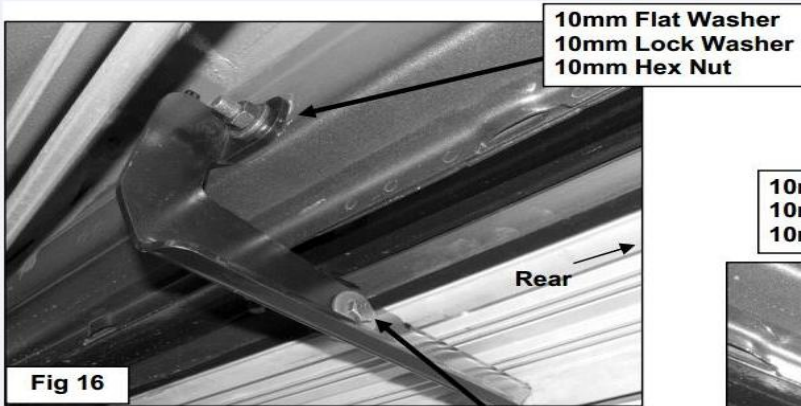
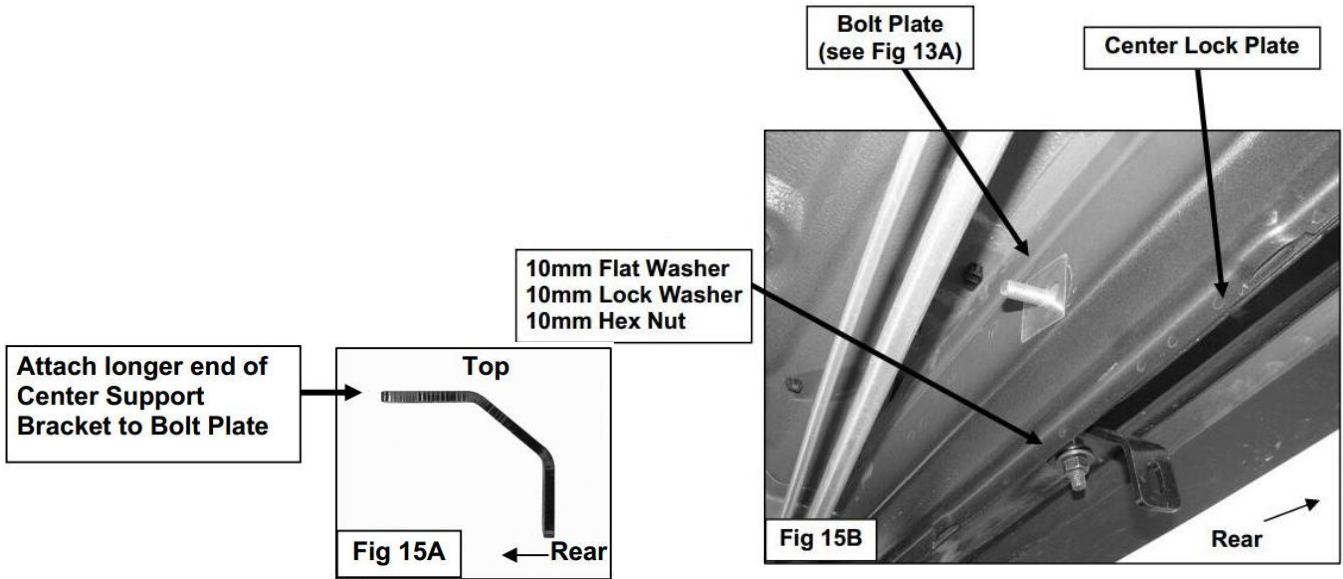
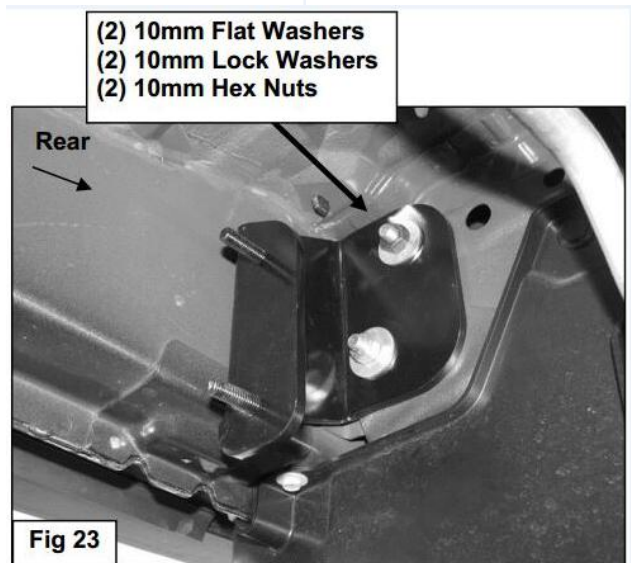
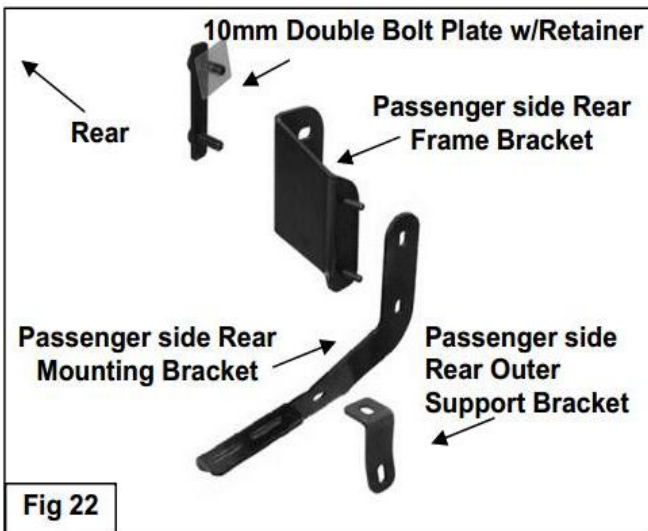
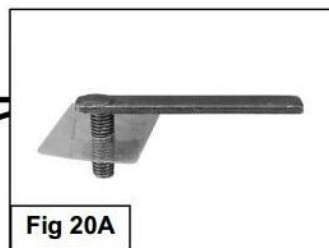
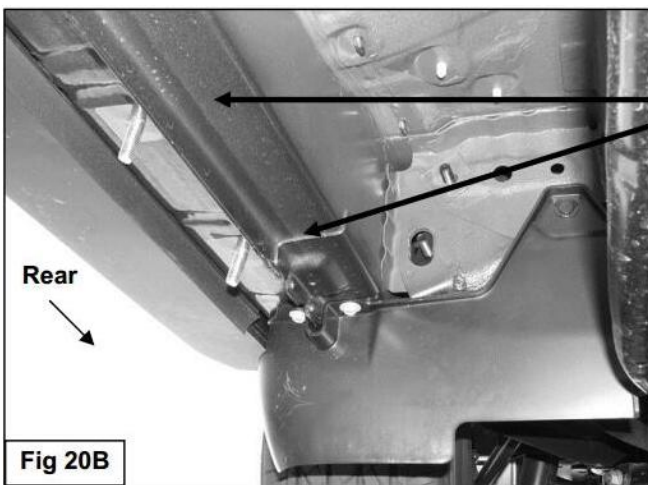
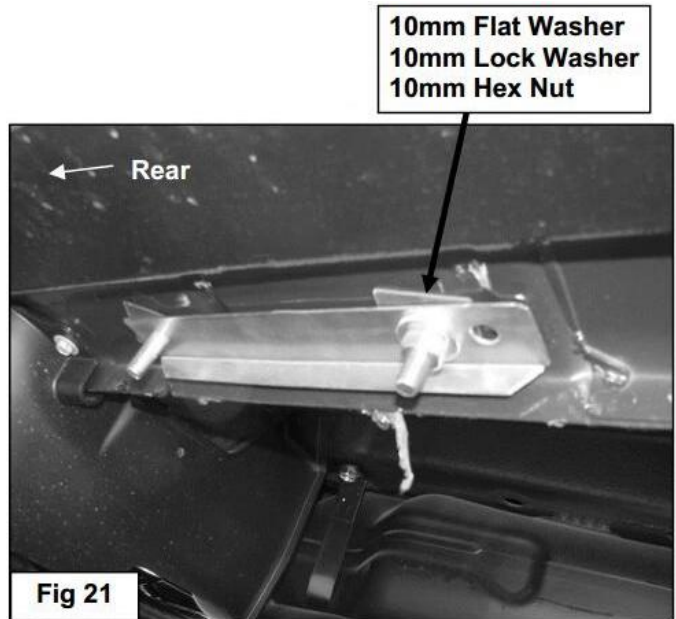
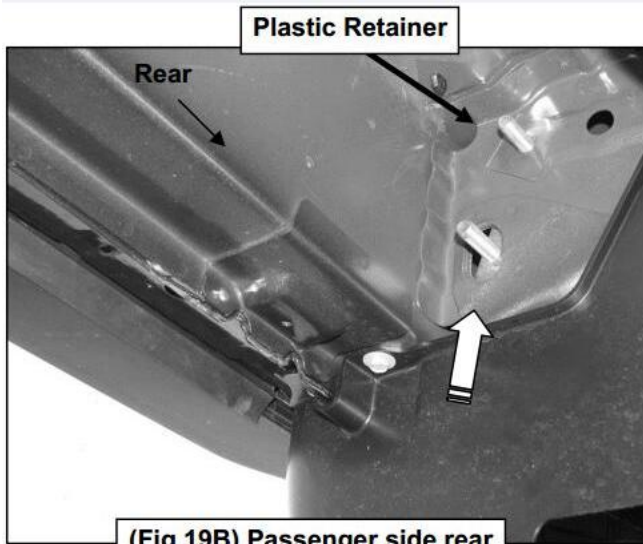
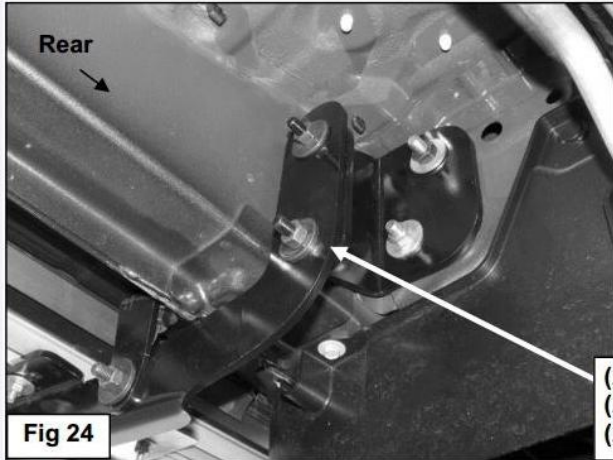


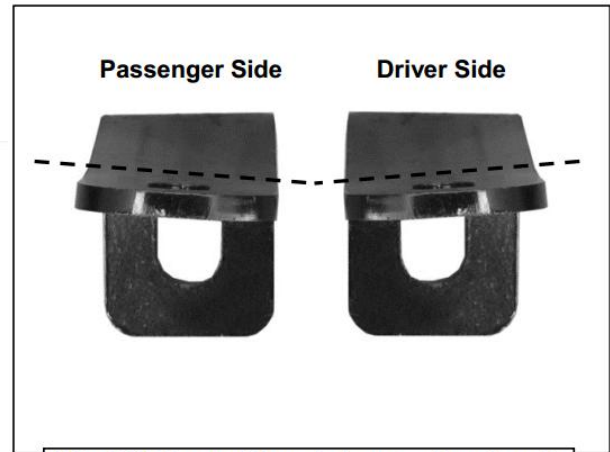
Fig 13B







- (2) 8mm Flat Washers
- (2) 8mm Lock Washers
- (2) 8mm Hex Nuts



(Fig 25) Pictured from below to show bends

- 8mm x 30mm Hex Bolt
- (2) 8mm Flat Washers
- 8mm Lock Washer
- 8mm Hex Nut

- 10mm Flat Washer
- 10mm Lock Washer
- 10mm Hex Nut

