

Installation Instructions

Part#: IA10SJI3B

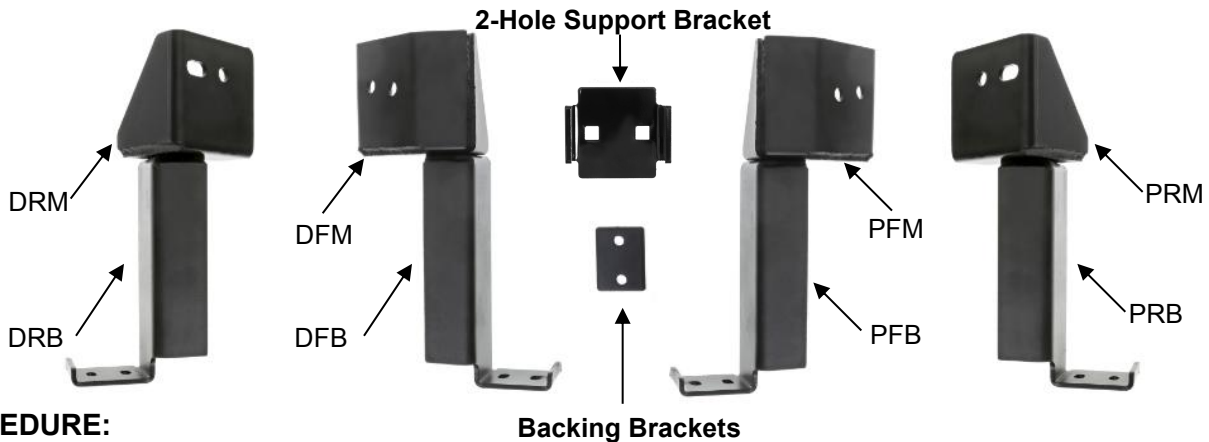
Application: For 1999-2004 Jeep Grand Cherokee 4-Door

NOTE:

- REMOVE CONTENTS FROM BOX.
- VERIFY ALL PARTS ARE PRESENT.
- READ INSTRUCTIONS CAREFULLY BEFORE STARTING INSULATION.
- REMOVE OE SIDESTEP/ROCK RAIL BEFORE INSTALL.
- ASSISTANCE IS RECOMMENDED.

Package Check List

Item	QTY	Description	Item	QTY	Description
#1	2	Driver/ Passenger Side Bar	#11	4	Backing Brackets
#2	1	Driver Front Mounting Bracket (DFB)	#12	8	M12X1.75-30 Hex Bolts
#3	1	Passenger Front Mounting Brackets (PFB)	#13	4	M12X1.75-35 Hex Bolts
#4	1	Driver Front Upper Bracket(DFM)	#14	12	M12 Lock Washers
#5	1	Passenger Front Upper Bracket(PFM)	#15	16	M12 Flat Washers
#6	1	Driver Rear Mounting Bracket (DRB)	#16	4	M12X1.75 Hex Nuts
#7	1	Passenger Rear Mounting Brackets (PRB)	#17	8	M10X1.5-75 Carriage Bolts
#8	1	Driver Rear Upper Bracket(DRM)	#18	8	M10 Lock Washers
#9	1	Passenger Rear Upper Bracket(PRM)	#19	8	M10 Flat Washers
#10	4	2-Hole Support Bracket	#20	8	M10 Hex Nuts



PROCEDURE:

1. REMOVE CONTENTS FROM BOX. VERIFY ALL PARTS ARE PRESENT. READ INSTALLATION INSTRUCTIONS CAREFULLY BEFORE STARTING INSTALLATION. DRILLING IS REQUIRED.
2. Start installation on the front, driver side of the vehicle. Select (1) Driver Front Mounting Bracket. Use the included (2) 12mm x 30mm Hex Bolt. (2) 12mm Lock Washer and (2) 12mm Flat Washer to attach the Bracket to the front body mount. Do not tighten hardware at this time (Figure 1) .



Installation Instructions

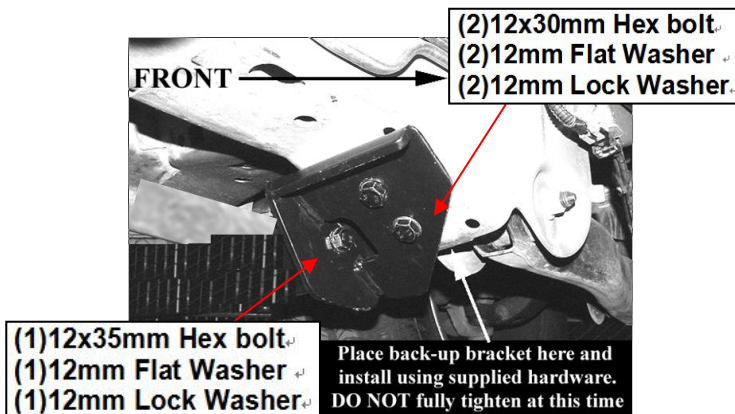
Part#: IA10SJI3B

Application: For 1999-2004 Jeep Grand Cherokee 4-Door

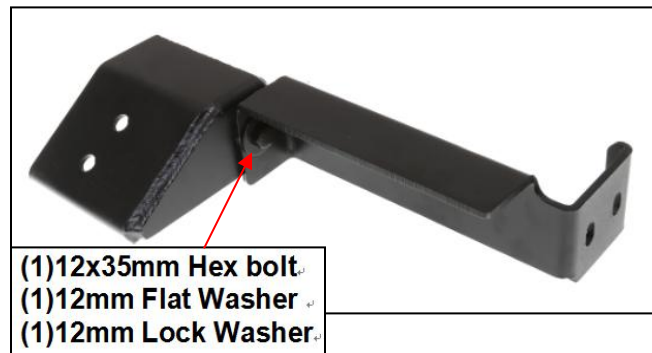
3. Select a driver front upper bracket, attach to the Driver Front Mounting Bracket with (1)12mmx35 Hex bolts,(1)12mm flat washers,(1)12mm lock washers (Figure 1) .Do not tighten hardware at this time. **NOTE: Front upper brackets and rear upper brackets are similar, but not universal(Figure 2B) .**
4. Move toward the rear of the vehicle. Repeat Step2-3 to install the driver rear brackets. Do not tighten hardware at this time (Figure 2) .
5. Select the Driver Side Bar. Slip (2) M10X1.5-75 Carriage Bolts into each 2-Hole Support Brackets ,and insert the 2-Hole support bracket into the Driver Side Bar.(Fig 3) . Carefully position the Bar onto the (4) Mounting Brackets. IMPORTANT: Do not slide the Bar on the Brackets or damage to the finish may result. Attach the Driver Side Bar to the Mounting Brackets with (2) M10 Hex Nuts,(2)10mm lock washers and (2)10mm flat washers, (Fig 4) . Do not tighten hardware.
6. Level and adjust the Bar properly and tighten all hardware. **NOTE: Torque all M10 X1.5-75 Carriage Bolts to 22~25 lb-ft. Don't over tighten,or the aluminum square bars will be damaged by the brackets.**
7. Repeat Step 2-6 for the other side installation. Installation completed!!! (See Fig 5)
8. Do periodic inspections to the installation to make sure that all hardware is secure and tight.

Products have a high quality finish that must be cared for like any other exposed finish on the vehicle. Protect the finish with a non-abrasive automotive wax, (e.g.Pure Carnauba) on a regular basis. The use of any soap, polish or wax that contains an abrasive is detrimental, as the compounds scratch the finish and open it to corrosion.

Driver/Passenger Side Installation Pictured



(Fig 1a) Front Frame Bracket installation pictured

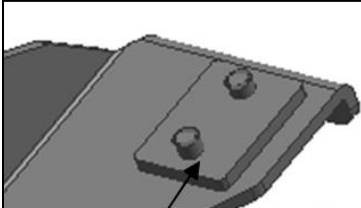


(Fig 1b) Front Bracket installation pictured

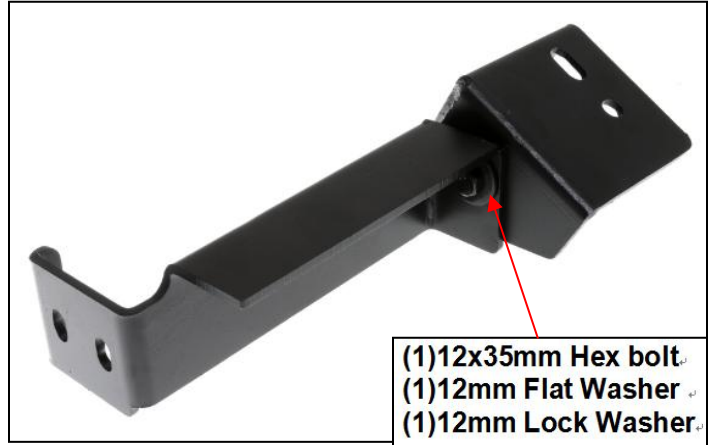
Installation Instructions

Part#: IA10SJI3B

Application: For 1999-2004 Jeep Grand Cherokee 4-Door

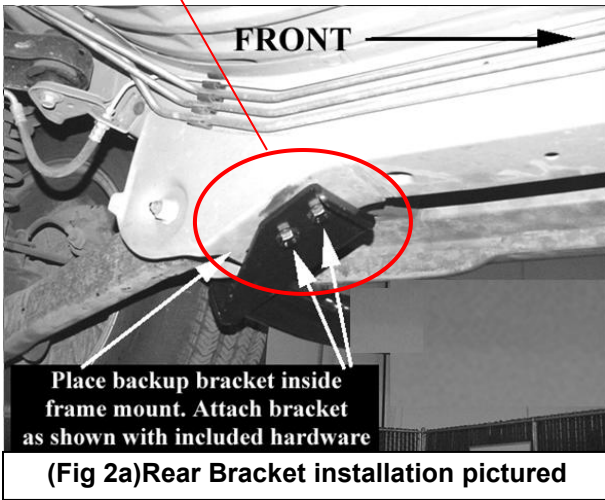


- (2) M12x30mm Hex bolt
- (2) M12 Flat Washer
- (2) M12 Lock Washer
- (1) Backing Bracket



- (1) 12x35mm Hex bolt
- (1) 12mm Flat Washer
- (1) 12mm Lock Washer

(Fig 2b) Rear Bracket installation pictured



(Fig 2a) Rear Bracket installation pictured

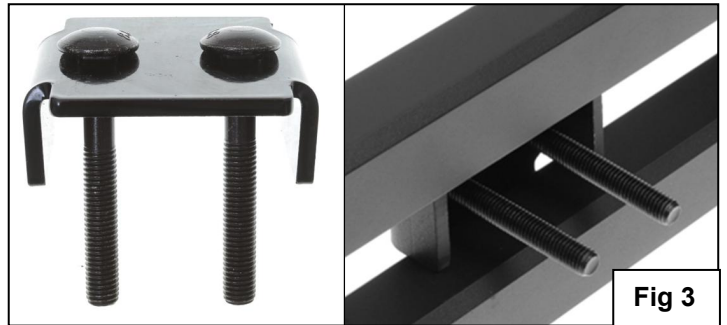


Fig 3

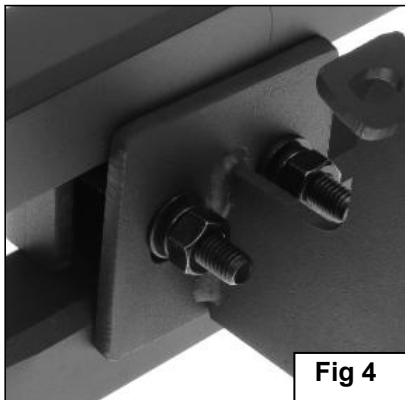
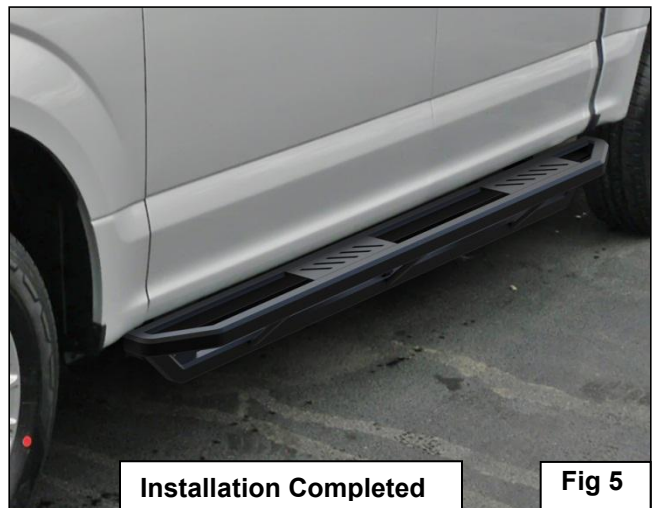


Fig 4



Installation Completed

Fig 5