



# Installation Instructions

## Side Armor/Rocker Guards

**Part#: IA10SAJ8B**

**Application: For 2005-2010 Jeep Grand Cherokee (Excl. SRT and Trail Hawk models) /2005-2010 Jeep Commander (W/5 Passenger Seating W/O Rear A/C)**

**NOTE:**

- REMOVE CONTENTS FROM BOX.
- VERIFY ALL PARTS ARE PRESENT.
- READ INSTRUCTIONS CAREFULLY BEFORE STARTING INSULATION.
- REMOVE OE SIDESTEP/ROCK RAIL BEFORE INSTALL.
- ASSISTANCE IS RECOMMENDED.

**Package Check List**

Item	QTY	Description	Item	QTY	Description
#1	2	Driver/ Passenger Side Bar	#7	8	M8 Hex Nuts
#2	4	Driver Front Mounting Bracket	#8	4	M8 Clip Nut
#3	4	2-Hole Support Bracket	#9	8	M10X1.5-75 Carriage Bolts
#4	12	M8x30mm Hex Bolt	#10	8	M10 Lock Washers
#5	20	M8 Flat Washers	#11	8	M10 Flat Washers
#6	12	M8 Lock Washers	#12	8	M10 Hex Nuts



**PROCEDURE:**

1. Remove contents from box and check for damage. Verify all parts are present. Read and understand instructions before beginning.
2. Both front and rear brackets are the same for each side.
3. Locate driver side mounting locations on vehicle. **(See Figure 1).**
4. Attach brackets to underside of rocker panel as shown. Hand tighten. **(See Figure 1 & 2).**  
**For jeep Commanders only:** To attach the passenger side front bracket, remove the four bolts that secure the rear air and heat line shroud. Remove the shroud to gain access to top mounting location on the bracket. After bracket is installed and fasteners are tightened, reattach shroud with the four existing bolts previously removed. **(See Figure 3).**
5. Select the Driver Side Bar. Slip (2) M10X1.5-75 Carriage Bolts into each 2-Hole Support Brackets ,and insert the 2-Hole support bracket into the Driver Side Bar. **(Fig 4).** Carefully position the Bar onto the (4)

# Installation Instructions

## Side Armor/Rocker Guards

Part#: IA10SAJ8B

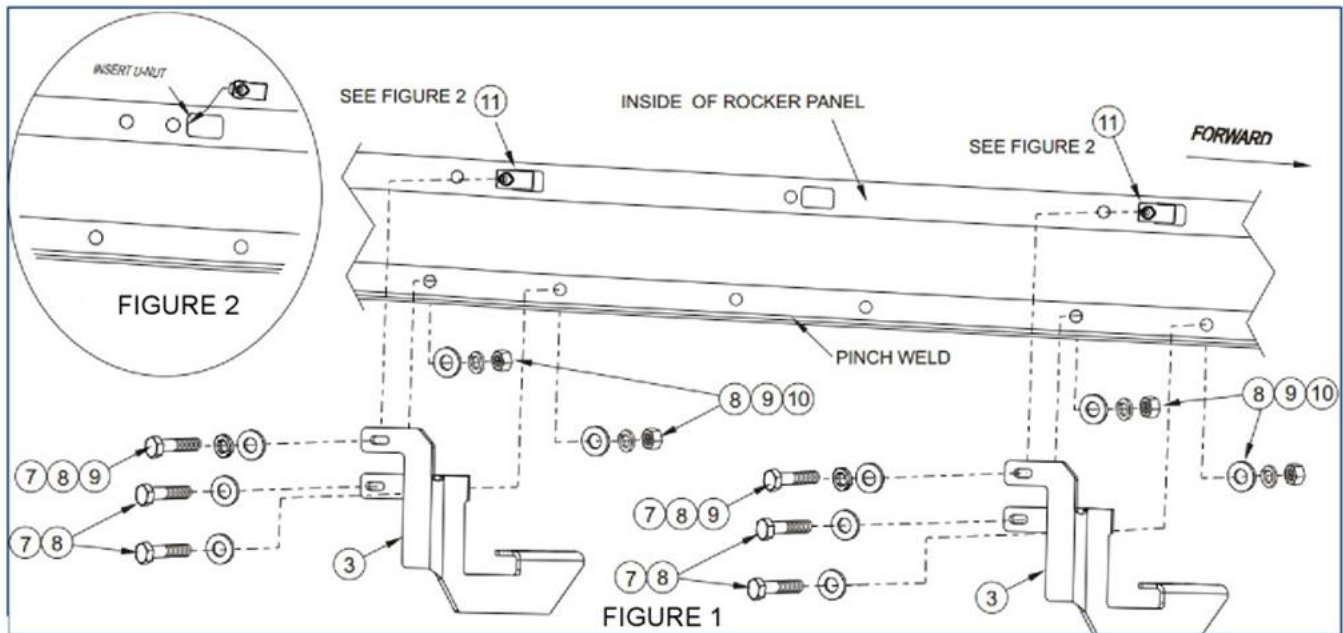
Application: For 2005-2010 Jeep Grand Cherokee (Excl. SRT and Trail Hawk models) /2005-2010 Jeep Commander (W/5 Passenger Seating W/O Rear A/C)

Mounting Brackets. IMPORTANT: Do not slide the Bar on the Brackets or damage to the finish may result. Attach the Driver Side Bar to the Mounting Brackets with (2) M10 Hex Nuts, (2) 10mm lock washers and (2) 10mm flat washers, (Fig 5). Do not tighten hardware.

- Level and adjust the Bar properly and tighten all hardware. **NOTE: Torque all M10 X1.5-75 Carriage Bolts to 29~33 lb-ft.**
- Repeat Step 2-6 for the other side installation. Installation completed!!! (See Fig 6)
- Do periodic inspections to the installation to make sure that all hardware is secure and tight.

Products have a high quality finish that must be cared for like any other exposed finish on the vehicle. Protect the finish with a non-abrasive automotive wax, (e.g. Pure Carnauba ) on a regular basis. The use of any soap, polish or wax that contains an abrasive is detrimental, as the compounds scratch the finish and open it to corrosion.

### Driver/Passenger Side Installation Pictured



# Installation Instructions

## Side Armor/Rocker Guards

Part#: IA10SAJ8B

Application: For 2005-2010 Jeep Grand Cherokee (Excl. SRT and Trail Hawk models) /2005-2010 Jeep Commander (W/5 Passenger Seating W/O Rear A/C)

