

For 1999-2011 Ford Ranger /Ranger "EDGE" Super Cab 4-Door/1999-2011 Mazda B-Series Super Cab 4-Door

Installation Instructions for IA06SJC9

by APS Auto Parts Specialist Inc.

Application: For 1999-2011 Ford Ranger /Ranger "EDGE" Super Cab 4-Door/
1999-2011 Mazda B-Series Super Cab 4-Door

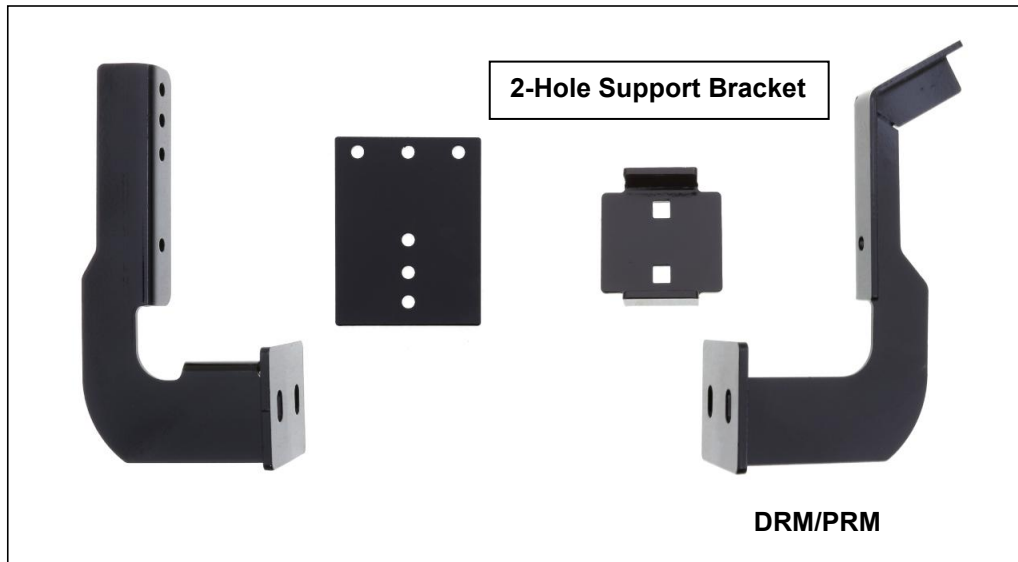
Estimated Time: 1 to 2 hours



The instruction here is for your reference only. We strongly recommend the professional installer for best result. We are not responsible for any damage caused by the installation. Thank you for choosing our product!

PARTS LIST:

Item	QTY	Description	Item	QTY	Description
#1	6	Driver Front Mounting Bracket	#8	16	ST6x25 Hex Flange Self Tapping Screw
#2	2	Driver Rear Mounting Bracket (DRM/PRM)	#9	2	Driver/ Passenger Side Bar
#3	6	Driver Front Support Plate	#10	8	2-Hole Support Bracket
#4	8	M8X1.25-20 Hex Bolts	#11	16	M10X1.5-75 Carriage Bolts
#5	8	M8 Lock Washers	#12	16	M10 Flat Washers
#6	16	M8 Flat Washers	#13	16	M10 Lock Washers
#7	8	M8X1.25 Hex Nuts	#14	16	M10 Hex Nuts



PROCEDURE:

1. VERIFY ALL PARTS ARE PRESENT. READ INSTRUCTIONS CAREFULLY BEFORE STARTING INSTALLATION. ASSISTANCE IS RECOMMENDED.
2. Drill 5/16" holes as shown (**See Figure 1**).
3. Attach mounting brackets as shown. Hand tighten. (**See Figure 2 - 4**).
4. Select the Passenger Side Bar. Slip (2) M10X1.5-75 Carriage Bolts into each 2-Hole Support Brackets, and insert the 2-Hole support bracket into the Driver Side Bar. (**Fig 5**). Carefully position the Bar onto the (4) Mounting Brackets. **IMPORTANT:** Do not slide the Bar on the Brackets or damage to the finish may result. Attach the Driver Side Bar to the Mounting Brackets with (2) M10 Hex Nuts, (2) M10 lock washers and (2) M10 flat washers, (**Fig 6**). Do not tighten hardware.
5. Level and adjust the Bar properly and tighten all hardware. **NOTE: Torque all M10 X1.5-75 Carriage Bolts to 29~33 lb-ft.**
6. Repeat Step 2-7 for the other side installation.
7. Installation completed!!! (**See Fig 7**)
8. Do periodic inspections to the installation to make sure that all hardware is secure and tight.

Products have a high quality finish that must be cared for like any other exposed finish on the vehicle. Protect the finish with a non-abrasive automotive wax, (e.g. Pure Carnauba) on a regular basis. The use of any soap, polish or wax that contains an abrasive is detrimental, as the compounds scratch the finish and open it to corrosion.

For 1999-2011 Ford Ranger /Ranger "EDGE" Super Cab 4-Door/1999-2011 Mazda B-Series Super Cab 4-Door

Driver/Passenger Side Installation Pictured

