

For 2004-2014 Ford F-150 Super Cab (Excl. Heritage Edition)

# Installation Instructions for IA06SAG6B

by APS Auto Parts Specialist Inc.

Application: For 2004-2014 Ford F-150 Super Cab (Excl. Heritage Edition)

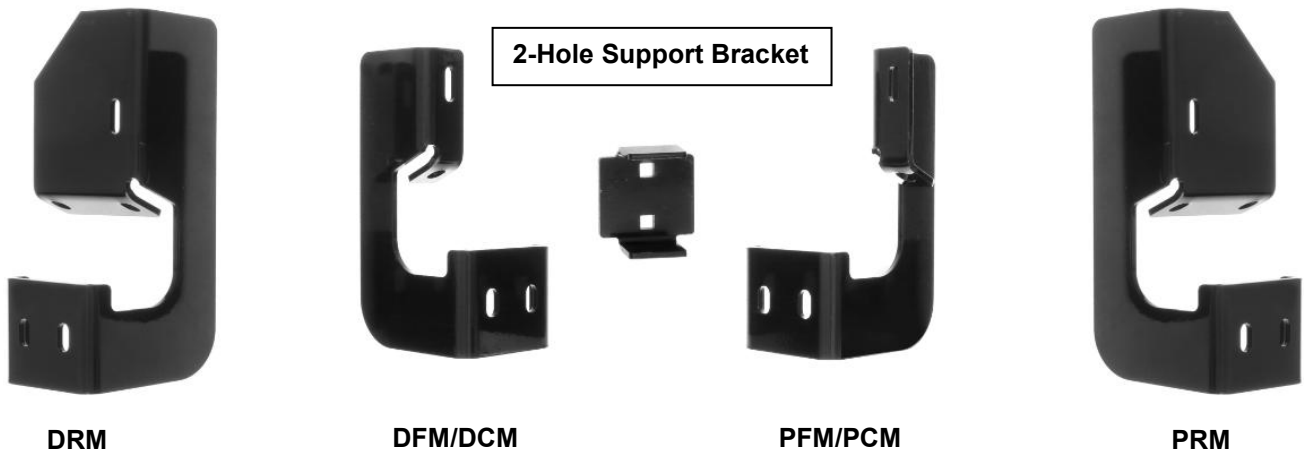
Estimated Time: 1 to 2 hours



The instruction here is for your reference only. We strongly recommend the professional installer for best result. We are not responsible for any damage caused by the installation. Thank you for choosing our product!

**PARTS LIST:**

Item	QTY	Description	Item	QTY	Description
#1	2	Driver/ Passenger Side Bar	#9	6	M8 Flat Washer
#2	2	Driver Front Mounting Bracket (DFM/DCM)	#10	6	2-Hole Support Bracket
#3	2	Passenger Front Mounting Bracket (PFM/PCM)	#11	6	M8 Clip Nuts
#4	1	Driver Rear Mounting Bracket (DRM)	#12	8	M10x1.5 - 25 Hex Bolts
#5	1	Passenger Rear Mounting Bracket (PRM)	#13	28	M10 Flat Washer
#6	6	M8x1.25 - 25 Hex Bolts	#14	20	M10 Lock Washer
#7	12	M10X1.5-75 Carriage Bolts	#15	20	M10X1.5 Hex Nuts
#8	6	M8 Lock Washer			

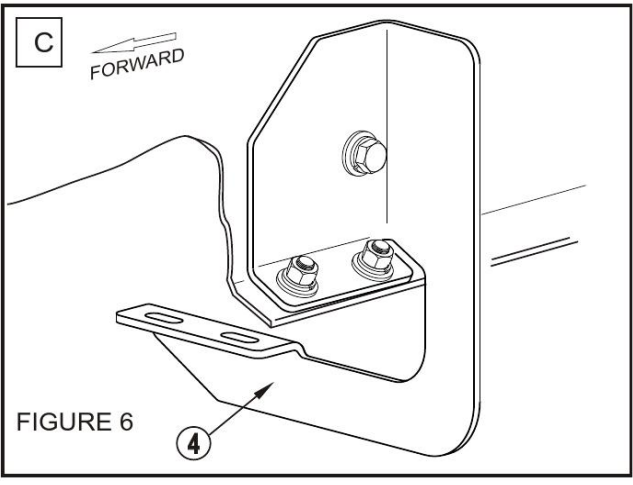
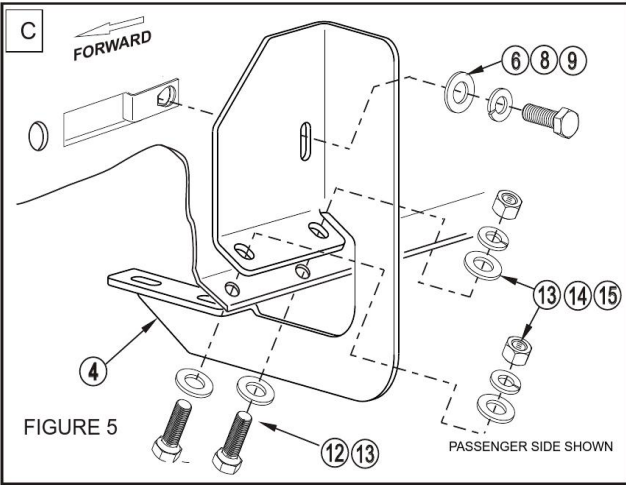
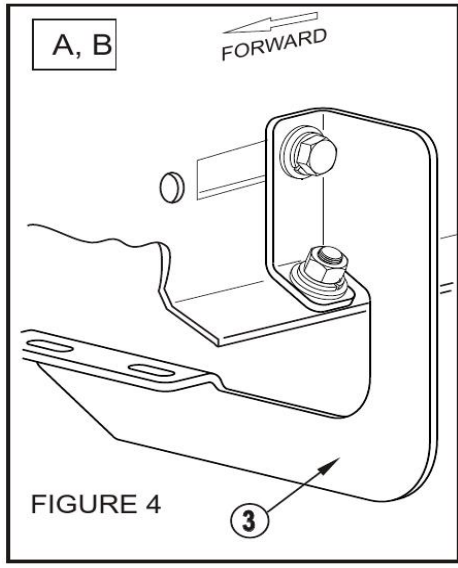
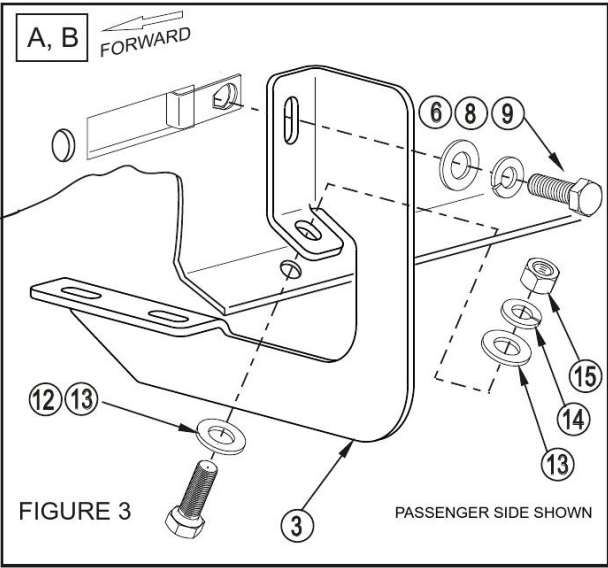
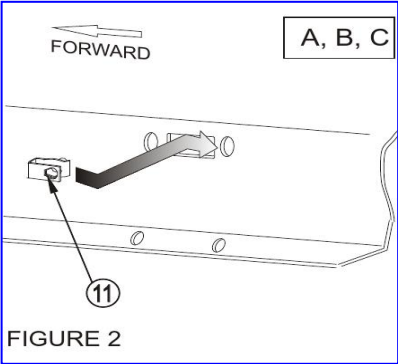
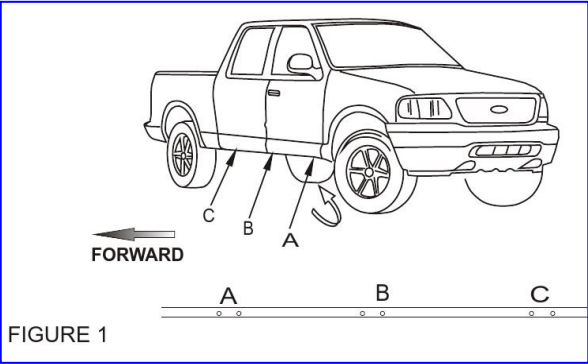


**PROCEDURE:**

1. Verify all parts are present. Read and understand instruction before beginning.
2. Locate mounting locations as shown. **SEE FIG 1.**
3. Install clip nuts as shown. **SEE FIG 2.**
4. Attach mounting brackets as shown. Fingers tighten. **SEE FIG 3-6**
5. Select the Driver Side Bar. Slip (2) M10X1.5-75 Carriage Bolts into each 2-Hole Support Brackets ,and insert the 2-Hole support bracket into the Driver Side Bar.(**Fig 7**). Carefully position the Bar onto the (3) Mounting Brackets. **IMPORTANT:** Do not slide the Bar on the Brackets or damage to the finish may result. Attach the Driver Side Bar to the Mounting Brackets with (2) M10 Hex Nuts,(2)M10 lock washers and (2)M10 flat washers, (**Fig 8**). Do not tighten hardware.
6. Level and adjust the Bar properly and tighten all hardware. **NOTE: Torque all M10 X1.5-75 Carriage Bolts to 22~25 lb-ft. Don't over tighten,or the aluminum square bars will be damaged by the brackets.**
7. Repeat Step 2-6 for the other side installation. Installation completed!!! (**See Fig 9**)
8. Do periodic inspections to the installation to make sure that all hardware is secure and tight.

Products have a high quality finish that must be cared for like any other exposed finish on the vehicle. Protect the finish with a non-abrasive automotive wax, (e.g.Pure Carnauba ) on a regular basis. The use of any soap, polish or wax that contains an abrasive is detrimental, as the compounds scratch the finish and open it to corrosion.

### Driver/Passenger Side Installation Pictured



Driver/Passenger Side Installation Pictured

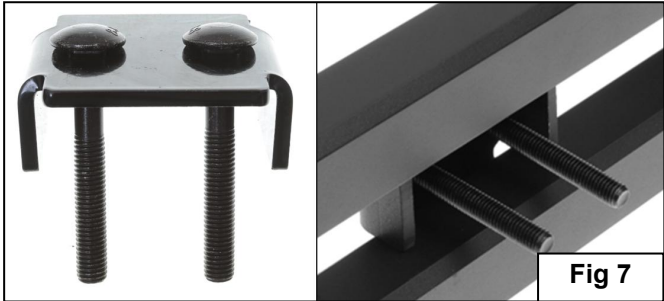


Fig 7

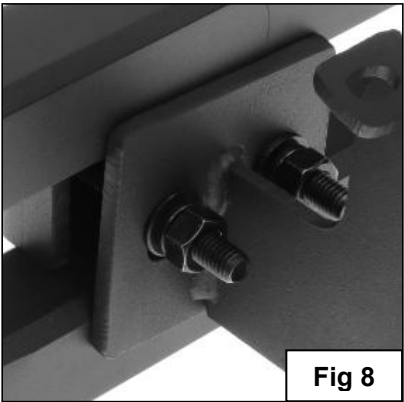


Fig 8



Complete Installation

Fig 9