

# Installation Instructions for IA06SAC4B

by APS Auto Parts Specialist Inc.

Application: For 2003-2017 Ford Expedition / (Excl. EL model)

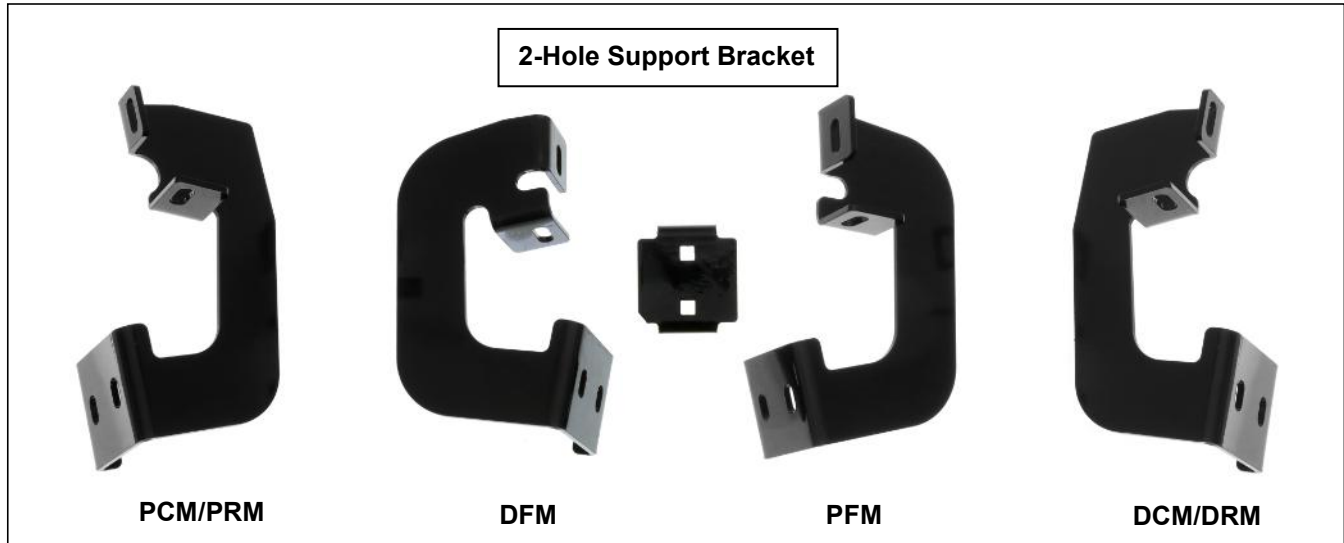
Estimated Time: 1 to 2 hours



The instruction here is for your reference only. We strongly recommend the professional installer for best result. We are not responsible for any damage caused by the installation. Thank you for choosing our product!

**PARTS LIST:**

Item	QTY	Description	Item	QTY	Description
#1	2	Driver/ Passenger Side Bar	#9	18	M8 Flat Washers
#2	2	Driver Front/Rear Mounting Bracket (DCM/DRM)	#10	12	M8 Lock Washers
#3	1	Passenger Front Mounting Bracket (PFM)	#11	12	M10X1.5-75 Carriage Bolts
#4	2	Passenger Front/Rear Mounting Bracket (PCM/PRM)	#12	12	M10 Flat Washers
#5	6	2-Hole Support Bracket	#13	12	M10 Lock Washers
#6	12	M8X1.25-25 Hex Bolts	#14	12	M10 Hex Nuts
#7	6	M8 Hex Nuts	#15	1	Driver Front Mounting Bracket (DFM)
#8	6	ST8x25 Hex Self Tapping Screw			

**PROCEDURE:**

1. Verify all parts are present. Read instructions completely before beginning.
2. Remove any tape on the inside of rocker panel that covers the mounting holes. **NOTE:** M8 self tapping bolts replace one 8mm bolt per bracket if the factory holes are not tapped for 8mm bolts.
3. Attach brackets to underside of body panel as shown. Leave loose. **SEE FIG 1.**
4. Select the Driver Side Bar. Slip (2) M10X1.5-75 Carriage Bolts into each 2-Hole Support Brackets, and insert the 2-Hole support bracket into the Driver Side Bar. **(Fig 2)**. Carefully position the Bar onto the (4) Mounting Brackets. **IMPORTANT:** Do not slide the Bar on the Brackets or damage to the finish may result. Attach the Driver Side Bar to the Mounting Brackets with (2) M10 Hex Nuts, (2) M10 lock washers and (2) M10 flat washers, **(Fig 3)**. Do not tighten hardware.
5. Level and adjust the Bar properly and tighten all hardware. **NOTE: Torque all M10 X1.5-75 Carriage Bolts to 22~25 lb-ft. Don't over tighten, or the aluminum square bars will be damaged by the brackets.**
6. Repeat Step 2-6 for the other side installation. Installation completed!!! **(See Fig 4)**
7. Do periodic inspections to the installation to make sure that all hardware is secure and tight.

Products have a high quality finish that must be cared for like any other exposed finish on the vehicle. Protect the finish with a non-abrasive automotive wax, (e.g. Pure Carnauba ) on a regular basis. The use of any soap, polish or wax that contains an abrasive is detrimental, as the compounds scratch the finish and open it to corrosion.

### Driver/Passenger Side Installation Pictured

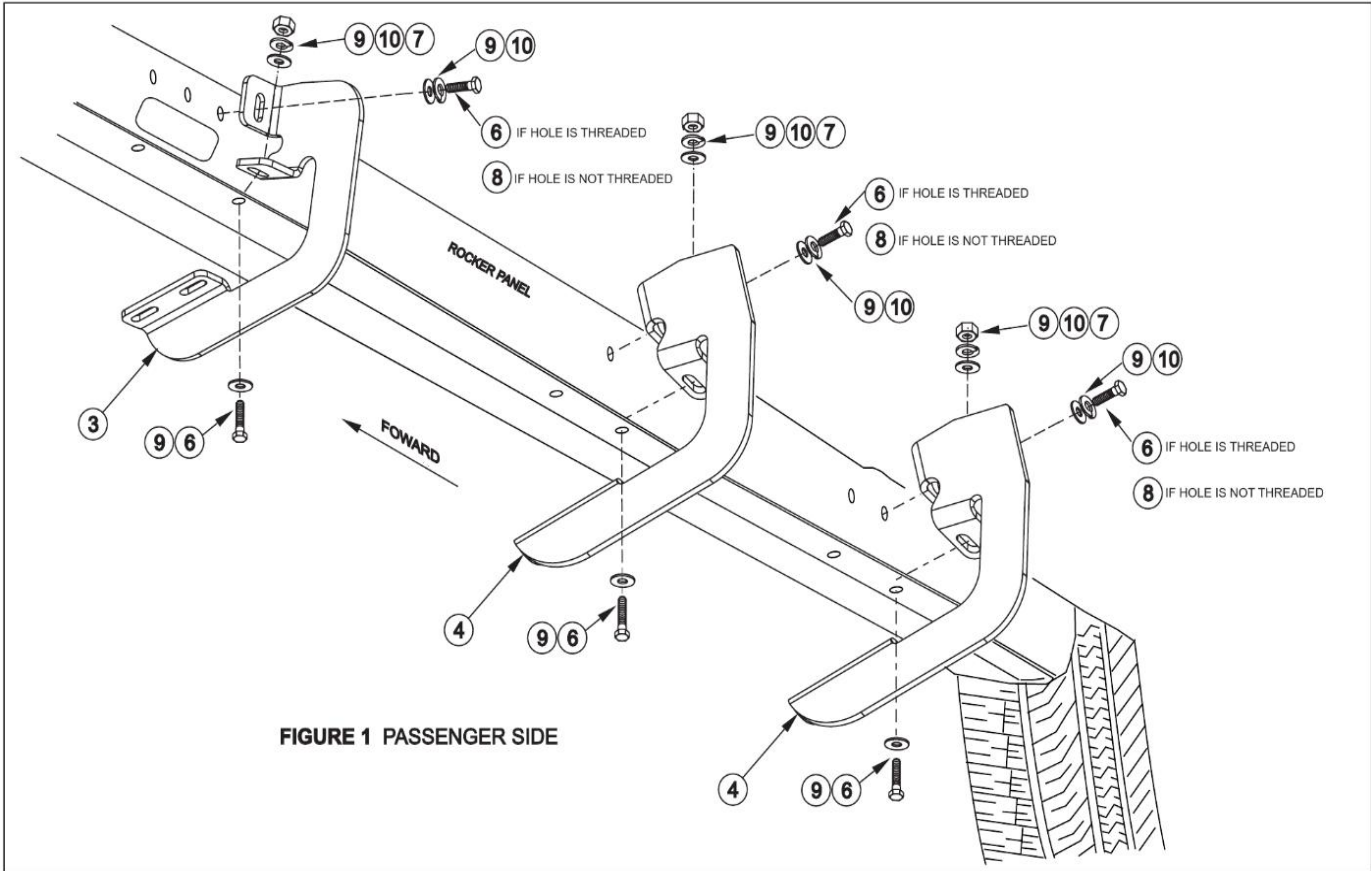


FIGURE 1 PASSENGER SIDE

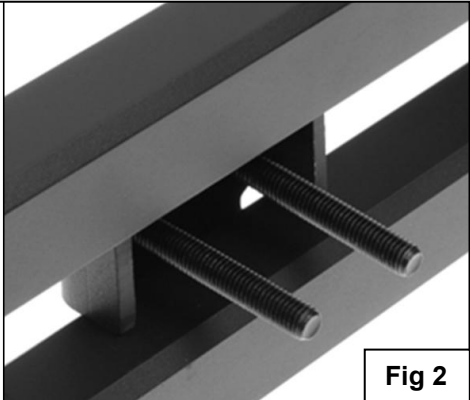


Fig 2

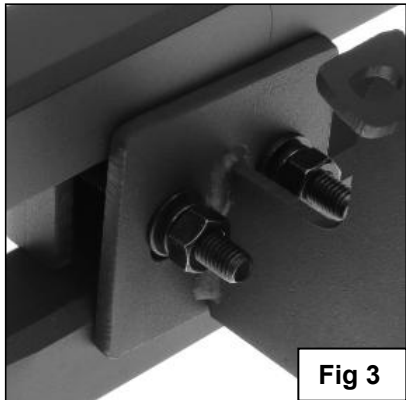


Fig 3



Complete Installation

Fig 4