

# Installation Instructions for IA04SIA2B

by APS Auto Parts Specialist Inc.

Application: For 2004-2010 Dodge Durango/2006-2009 Chrysler Aspen

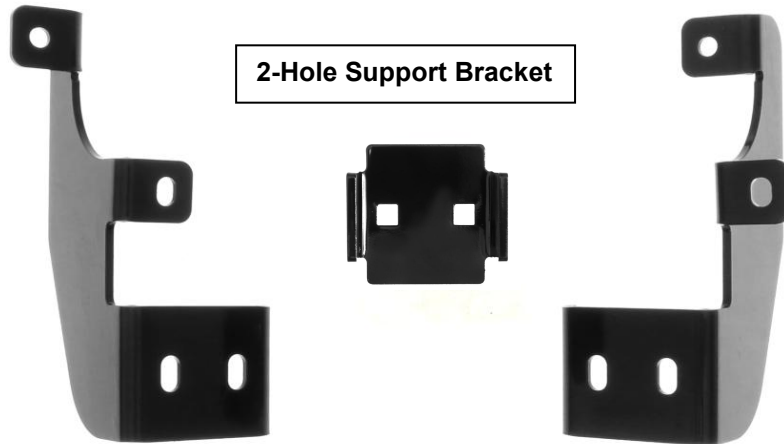
Estimated Time: 1 to 2 hours



The instruction here is for your reference only. We strongly recommend the professional installer for best result. We are not responsible for any damage caused by the installation. Thank you for choosing our product!

**PARTS LIST:**

Item	QTY	Description	Item	QTY	Description
#1	3	Driver Front Mounting Bracket (DFM/DCM/PRM)	#7	18	M10X1.5 Hex Nuts
#2	3	Passenger Front Mounting Bracket (PFM/PCM/DRM)	#8	6	M10X1.5 Rivet Nuts
#3	6	M10x35 Bolt Plate	#9	6	2-Hole Support Bracket
#4	6	M10x1.5 - 25 Hex Bolts	#10	12	M10X1.5-75 Carriage Bolts
#5	24	M10 Flat Washer	#11	2	Driver/ Passenger Side Bar
#6	24	M10 Lock Washer			

**PROCEDURE:**

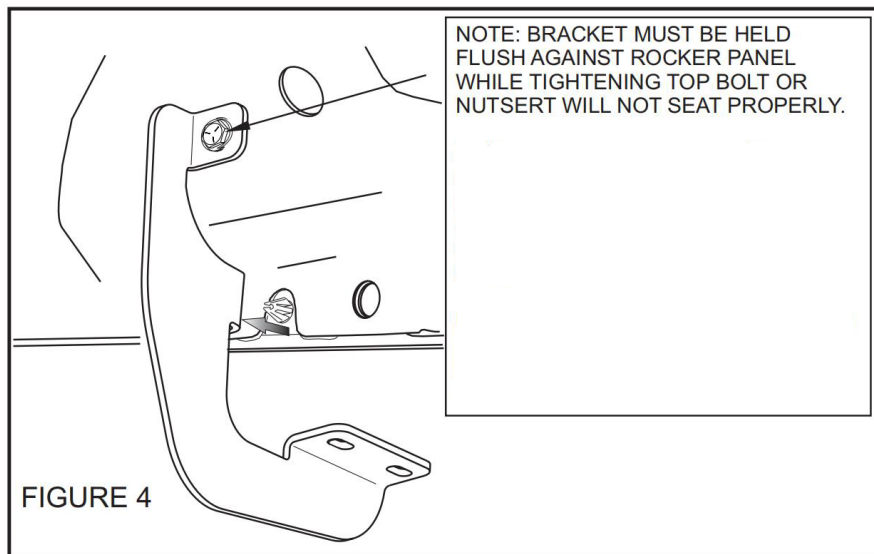
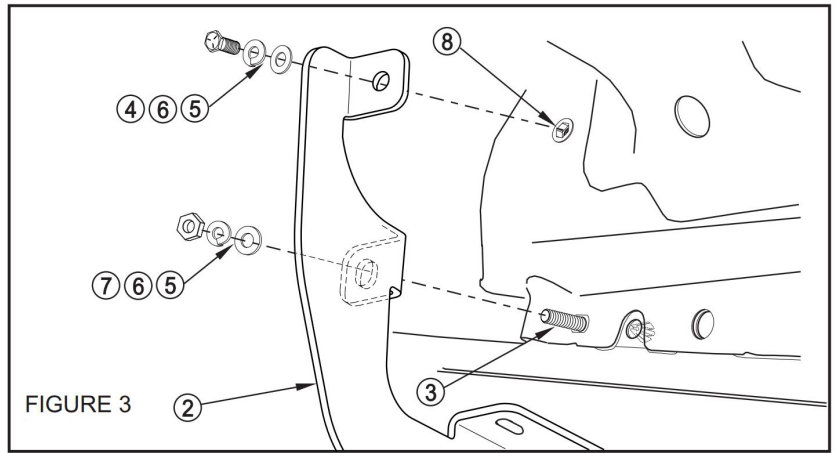
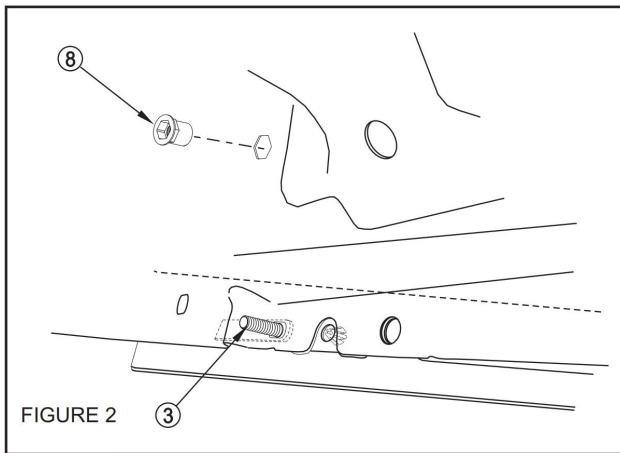
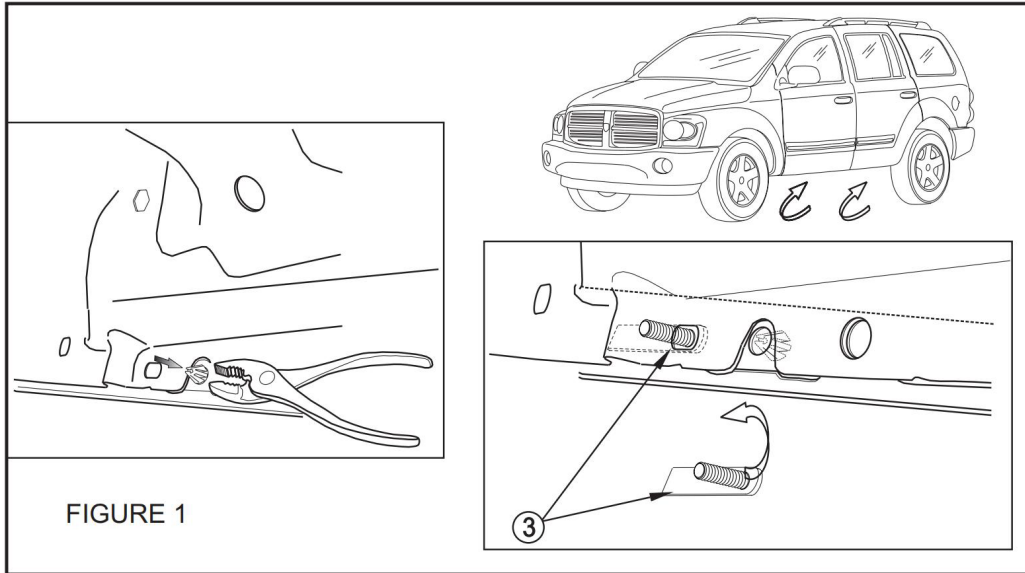
DFM/DCM/PRM

PFM/PCM/DRM

1. Verify all parts are present. Read and understand instruction before beginning.
2. Insert hex rivet nuts as shown . **(See FIG 2).**
3. Separate trim from rocker panel and insert bolt plates as shown. Leave loose. **(See FIG 1 & 2).**
4. Loosely attach brackets as shown. **(See FIG 3).**
5. Tighten top bolt to crimp rivet nut until increased resistance is felt. Verify rivet nut is not loose in hole, otherwise re-tighten. Hole bolt plate parallel to rocker panel and tighten bottom nut. Re-attach trim panel as shown. **(See FIG 4).**
6. Select the Driver Side Bar. Slip (2) M10X1.5-75 Carriage Bolts into each 2-Hole Support Brackets ,and insert the 2-Hole support bracket into the Driver Side Bar.**(Fig 5)**. Carefully position the Bar onto the (3) Mounting Brackets. **IMPORTANT: Do not slide the Bar on the Brackets or damage to the finish may result. Attach the Driver Side Bar to the Mounting Brackets with (2) M10 Hex Nuts,(2)M10 lock washers and (2)M10 flat washers, (Fig 6).** Do not tighten hardware.
7. Level and adjust the Bar properly and tighten all hardware. **NOTE: Torque all M10 X1.5-75 Carriage Bolts to 22~25 lb-ft. Don't over tighten,or the aluminum square bars will be damaged by the brackets.**
8. Repeat Step 2-6 for the other side installation. Installation completed!!! **(See Fig 7)**
9. Do periodic inspections to the installation to make sure that all hardware is secure and tight.

Products have a high quality finish that must be cared for like any other exposed finish on the vehicle. Protect the finish with a non-abrasive automotive wax, (e.g.Pure Carnauba ) on a regular basis. The use of any soap, polish or wax that contains an abrasive is detrimental, as the compounds scratch the finish and open it to corrosion.

### Driver/Passenger Side Installation Pictured



### Driver/Passenger Side Installation Pictured

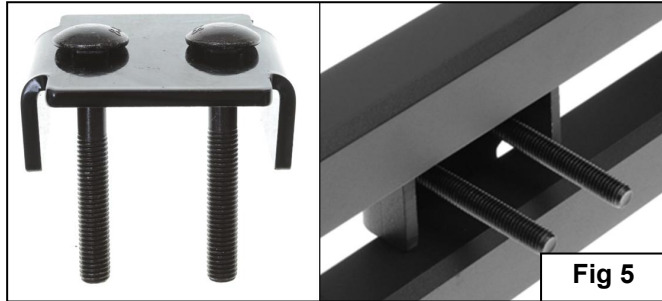


Fig 5

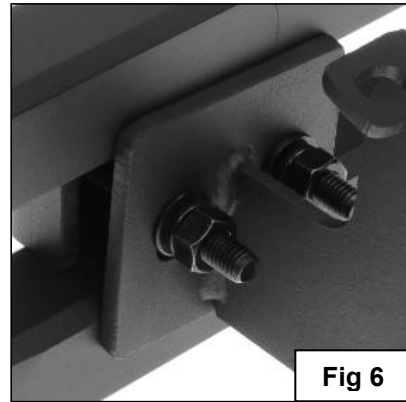


Fig 6



Complete Installation

Fig 7