



For 2019-2020 DODGE RAM 1500 QUAD CAB

Installation Instructions for IA04SAE9B by APS Auto Parts Specialist Inc.

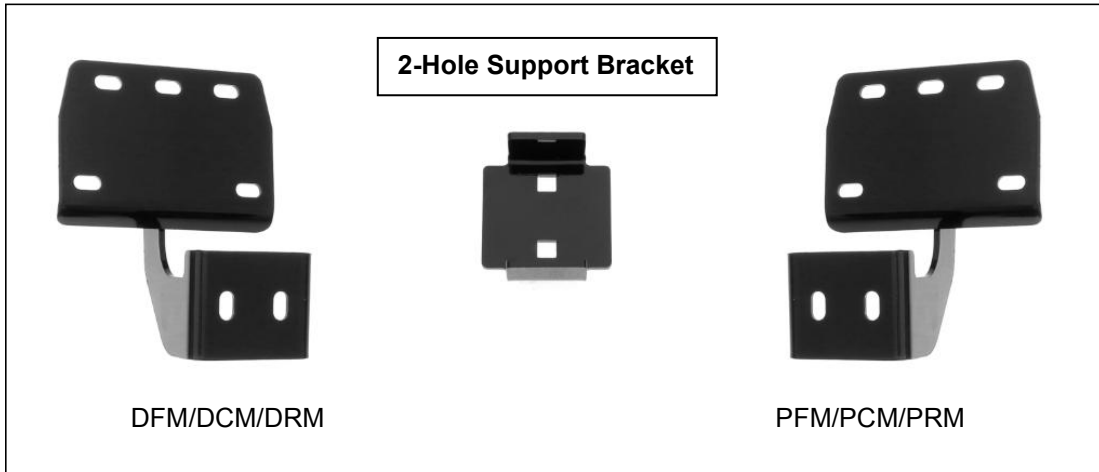
Application: For 2019 DODGE RAM 1500 QUAD CAB
Estimated Time: 1 to 2 hours



The instruction here is for your reference only. We strongly recommend the professional installer for best result. We are not responsible for any damage caused by the installation. Thank you for choosing our product

PARTS LIST:

Item	QTY	Description	Item	QTY	Description
#1	2	Driver/ Passenger Side Bar	#6	6	2-Hole Support Bracket
#2	3	Driver Front Mounting Bracket (DFM/DCM/DRM)	#7	12	M10X1.5-75 Carriage Bolts
#3	3	Passenger Front Mounting Bracket (PFM/PCM/PRM)	#8	12	M10 Flat Washers
#4	18	M8 Nylon Lock Nuts	#9	12	M10 Lock Washers
#5	18	M8 Flat Washers	#10	12	M10 Hex Nuts

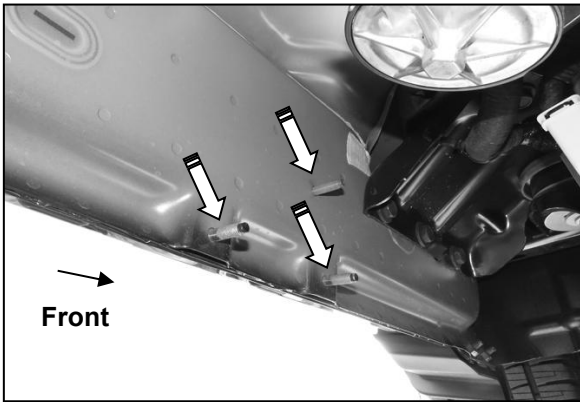


PROCEDURE:

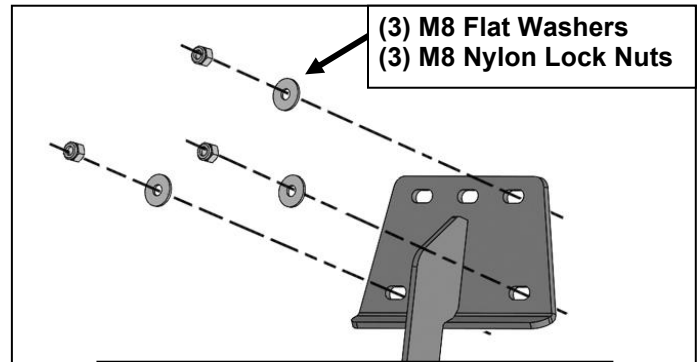
1. Remove contents from box and check for damage. Verify all parts are present. Read and understand instructions before beginning.
2. Start the installation under the driver side of the vehicle. Locate the front (3) factory studs along the inner side of the body panel, **(Figure 1)**. **NOTE:** Chase threads on the studs first before installing Brackets to remove paint buildup.
3. Select (1) Driver Front Mounting Bracket. **NOTE:** All (3) Brackets are universal and will fit left side. Attach the Mounting Bracket to the (3) factory studs with (3) M8 Flat Washers and (3) M8 Nylon Lock Nuts, **(Figure 2)**. Leave brackets loose at this time.
4. Repeat Steps 2&3 to install the Universal Brackets in the center and rear mounting locations along the body panel, **(Figures 3 & 4)**.
5. Select the Driver Side Bar. Slip (2) M10X1.5-75 Carriage Bolts into each 2-Hole Support Brackets, and insert the 2-Hole support bracket into the Driver Side Bar. **(Fig 5)**. Carefully position the Bar onto the (3) Mounting Brackets. **IMPORTANT:** Do not slide the Bar on the Brackets or damage to the finish may result. Attach the Driver Side Bar to the Mounting Brackets with (2) M10 Hex Nuts, (2) M10 lock washers and (2) M10 flat washers, **(Fig 6)**. Do not tighten hardware.
6. Level and adjust the Bar properly and tighten all hardware. **NOTE: Torque all M10 X1.5-75 Carriage Bolts to 22~25 lb-ft. Don't over tighten, or the aluminum square bars will be damaged by the brackets.**
7. Repeat Step 2-6 for the other side installation.
8. Installation completed!!! **(See Fig 7)**
9. Do periodic inspections to the installation to make sure that all hardware is secure and tight.

Products have a high quality finish that must be cared for like any other exposed finish on the vehicle. Protect the finish with a non-abrasive automotive wax, (e.g. Pure Carnauba) on a regular basis. The use of any soap, polish or wax that contains an abrasive is detrimental, as the compounds scratch the finish and open it to corrosion.

Driver Side Installation Pictured



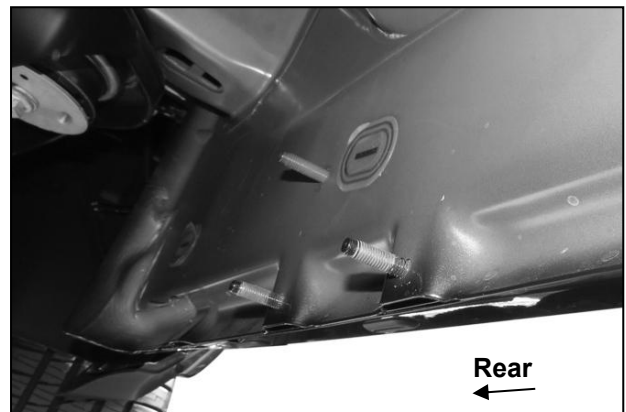
(Fig 1) Driver side front mounting location



(Fig 2) Attach Bracket to the (3) studs



(Fig 3) Driver/left side center mounting location



(Fig 4) Driver side rear mounting location

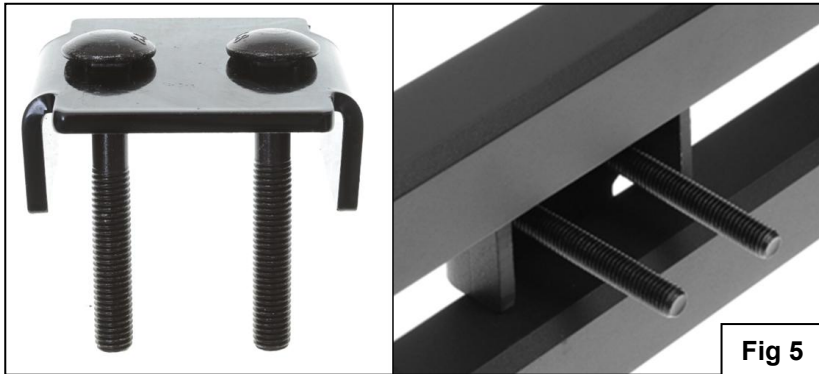


Fig 5

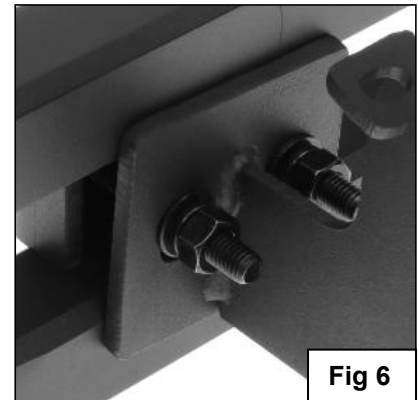


Fig 6



Complete Installation

Fig 7