



For 1999-2007 Chevy/GMC Silverado/Sierra "Classic" 1500 Regular Cab/
2001-2007 Chevy/GMC Silverado/Sierra "Classic" 2500/3500 Regular Cab

Installation Instructions for IA03SJJ7B by APS Auto Parts Specialist Inc.

Application: For 1999-2007 Chevy/GMC Silverado/Sierra "Classic" 1500 Regular Cab/
2001-2007 Chevy/GMC Silverado/Sierra "Classic" 2500/3500 Regular Cab
Estimated Time: 1 to 2 hours

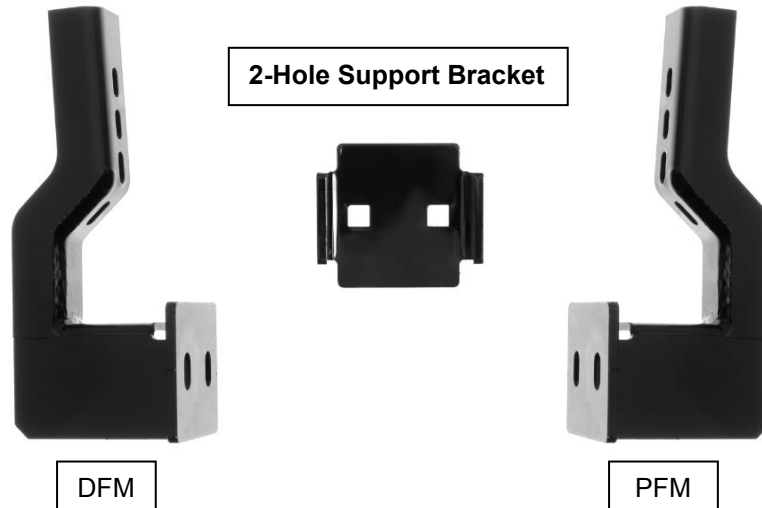


The instruction here is for your reference only. We strongly recommend the professional installer for best result. We are not responsible for any damage caused by the installation. Thank you for choosing our product!

For 1999-2007 Chevy/GMC Silverado/Sierra "Classic" 1500 Regular Cab/
2001-2007 Chevy/GMC Silverado/Sierra "Classic" 2500/3500 Regular Cab

PARTS LIST:

Item	QTY	Description	Item	QTY	Description
#1	2	Driver/ Passenger Side Bar	#7	6	M8 Nylon Lock Nuts
#2	3	Driver Front Mounting Bracket (DFM)	#8	12	M8 Flat Washers
#3	3	Passenger Front Mounting Bracket (PFM)	#9	12	M10X1.5-75 Carriage Bolts
#4	6	2-Hole Support Bracket	#10	12	M10 Flat Washers
#5	6	M8X1.25-20 Hex Bolts	#11	12	M10 Lock Washers
#6	12	ST6.3-25 Self Drilling Screw	#12	12	M10 Hex Nuts



PROCEDURE:

1. Remove contents from box and check for damage. Verify all parts are present. Read and understand instructions before beginning.
2. Drill M8 holes in pinch weld as shown. **(See Fig 1)**
3. Attach mounting brackets as shown. **(See Fig 2, 3 and 4)**
4. Select the Driver Side Bar. Slip (2) M10X1.5-75 Carriage Bolts into each 2-Hole Support Brackets, and insert the 2-Hole support bracket into the Driver Side Bar. **(Fig 5)**. Carefully position the Bar onto the (3) Mounting Brackets. **IMPORTANT: Do not slide the Bar on the Brackets or damage to the finish may result.** Attach the Driver Side Bar to the Mounting Brackets with (2) M10 Hex Nuts, (2) 10mm lock washers and (2) 10mm flat washers, **(Fig 6)**. Do not tighten hardware.
5. Level and adjust the Bar properly and tighten all hardware. **NOTE: Torque all M10 X1.5-75 Carriage Bolts to 22~25 lb-ft. Don't over tighten, or the aluminum square bars will be damaged by the brackets.**
6. Repeat Step 2-5 for the other side installation.
7. Installation completed!!! **(See Fig 7)**
8. Do periodic inspections to the installation to make sure that all hardware is secure and tight.

Products have a high quality finish that must be cared for like any other exposed finish on the vehicle. Protect the finish with a non-abrasive automotive wax, (e.g. Pure Carnauba) on a regular basis. The use of any soap, polish or wax that contains an abrasive is detrimental, as the compounds scratch the finish and open it to corrosion.

For 1999-2007 Chevy/GMC Silverado/Sierra "Classic" 1500 Regular Cab/
2001-2007 Chevy/GMC Silverado/Sierra "Classic" 2500/3500 Regular Cab

Driver Side Installation Pictured

(VERIFY LOCATIONS BEFORE DRILLING AND FINAL ATTACHMENT.)

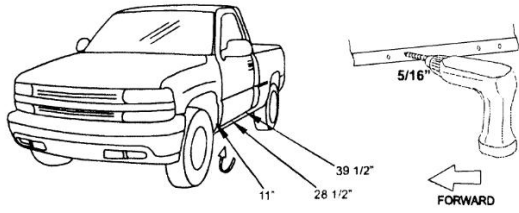


FIGURE 1

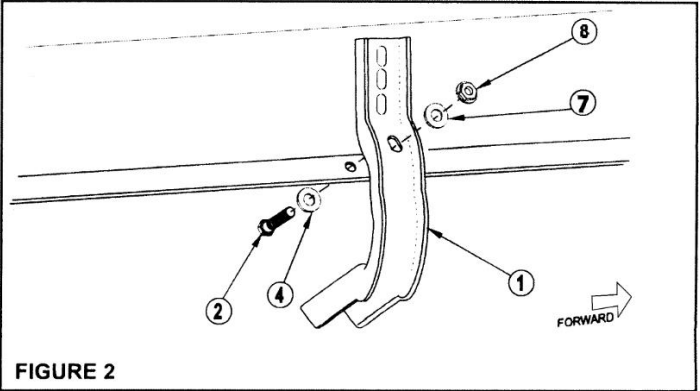
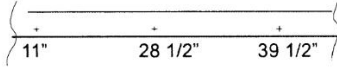


FIGURE 2

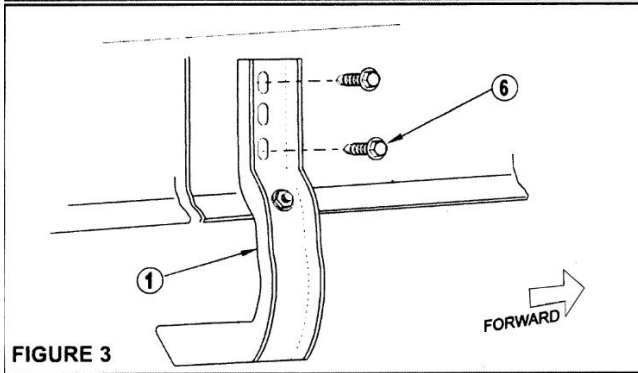


FIGURE 3

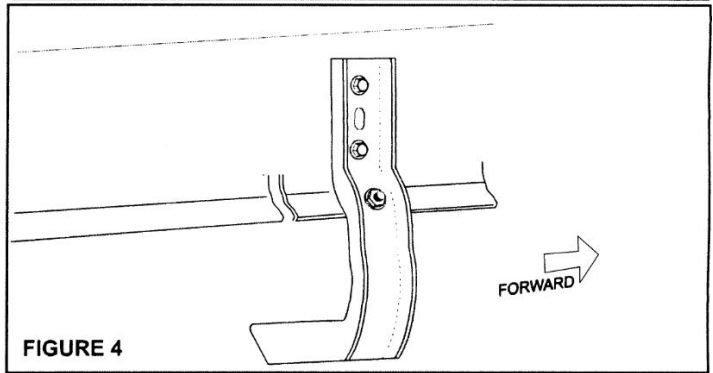


FIGURE 4

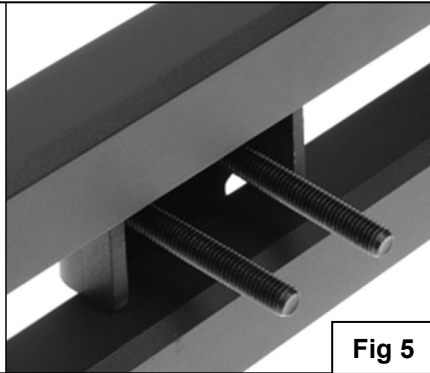


Fig 5

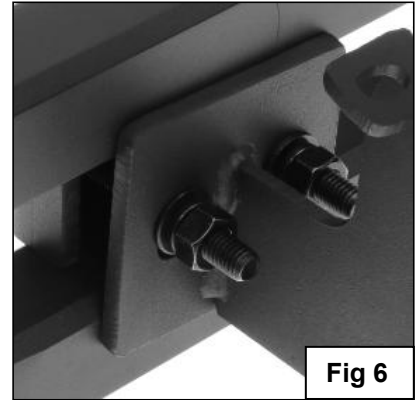


Fig 6



Complete Installation

Fig 7