



For 2019 Silverado/Sierra 1500 Crew Cab (Excludes Diesel W/DEF)

Installation Instructions for IA03SAG1 by APS Auto Parts Specialist Inc.

Application: For 2019 Silverado/Sierra 1500 Crew Cab (Excludes Diesel W/DEF)

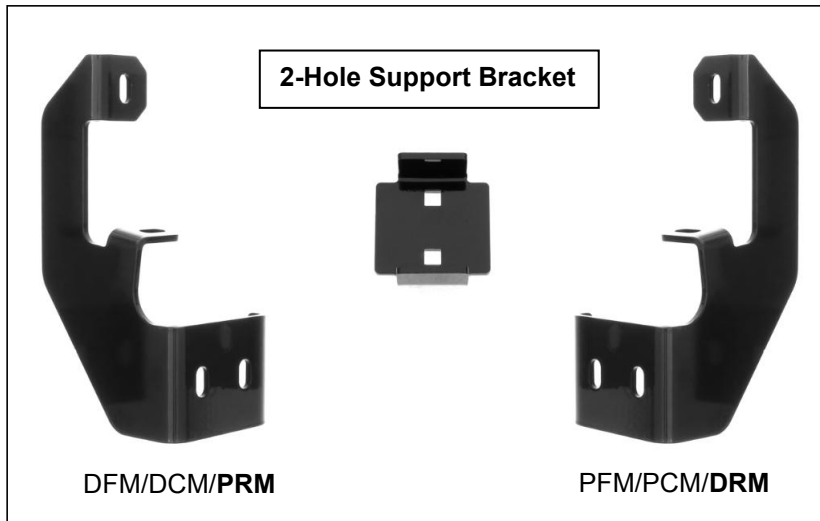
Estimated Time: 1 to 2 hours



The instruction here is for your reference only. We strongly recommend the professional installer for best result. We are not responsible for any damage caused by the installation. Thank you for choosing our product

PARTS LIST:

Item	QTY	Description	Item	QTY	Description
#1	2	Driver/ Passenger Side Bar	#7	8	2-Hole Support Bracket
#2	4	Driver Front Mounting Bracket (DFM/DCM/PRM)	#8	16	M10X1.5-75 Carriage Bolts
#3	4	Passenger Front Mounting Bracket (PFM/PCM/DRM)	#9	16	M10 Flat Washers
#4	16	M8 x 30mm Hex Bolts	#10	16	M10 Lock Washers
#5	16	M8 Lock Washers	#11	16	M10 Hex Nuts
#6	16	M8 Flat Washers			

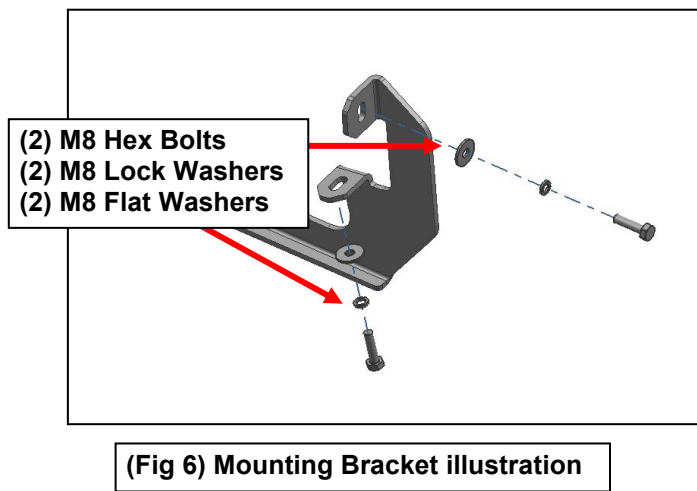
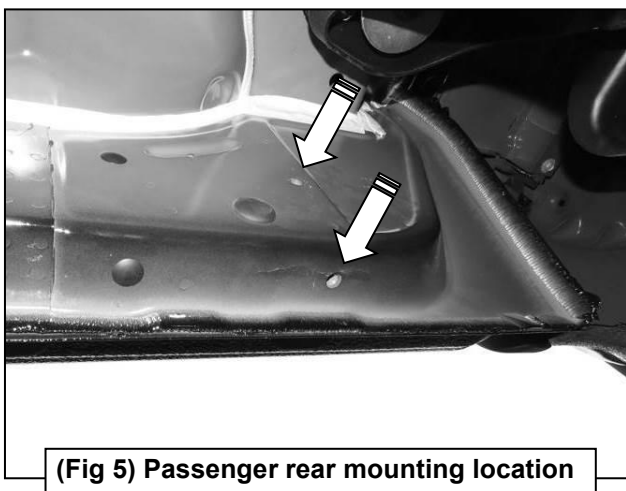
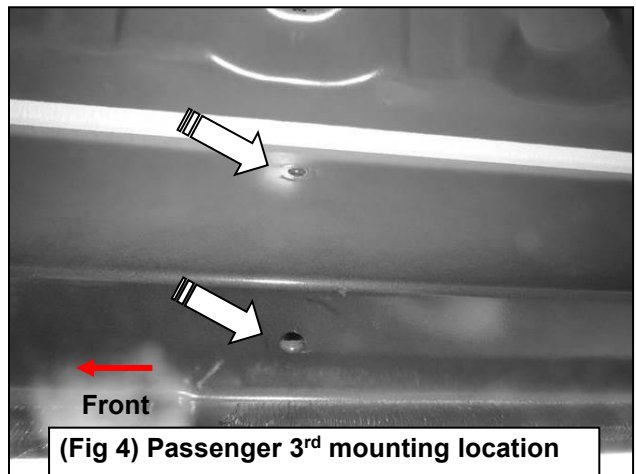
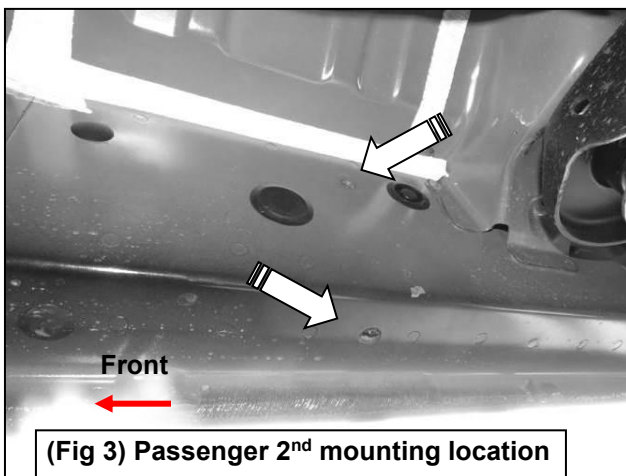
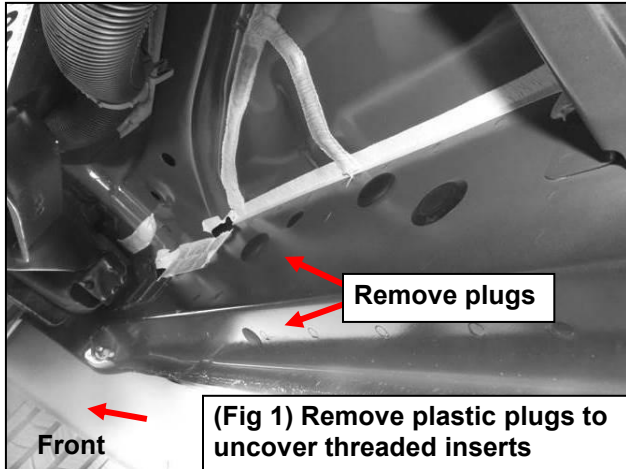


PROCEDURE:

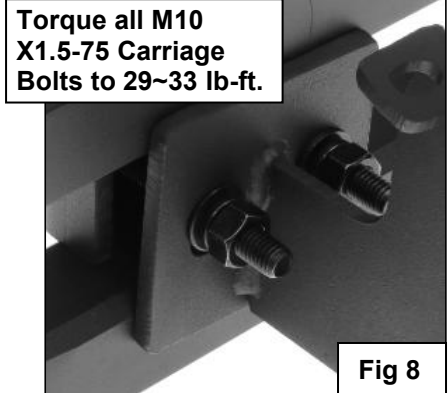
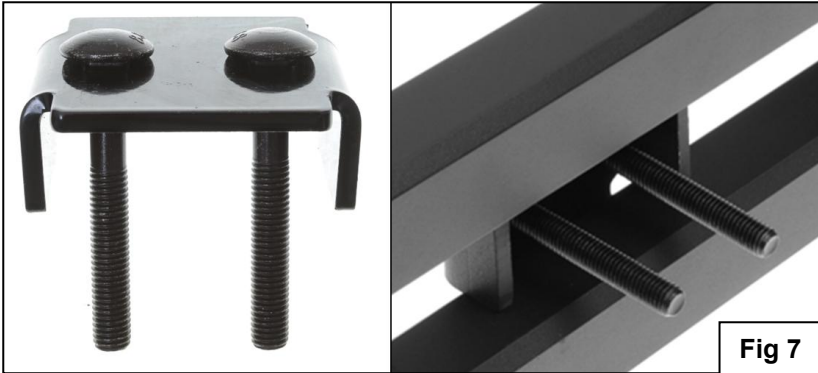
1. Remove contents from box and check for damage. Verify all parts are present. Read and understand instructions before beginning.
2. Start the installation under the driver side of the vehicle. Locate the 6 plugs along the bottom edge of the body. Mounting Brackets will bolt to the 1st, 3rd, 4th and 6th threaded mounting holes, **(Fig 1-5)**. Remove the plastic plugs from each mounting location. Directly above each threaded insert is a top mounting location on the side of the body panel. Hold a Bracket up in place to help determine the mounting holes to use along the body. **NOTE: Thread an 8mm Hex Bolt into the threaded inserts to clear paint as required.**
3. Select (1) Driver Front Mounting Bracket. Starting at the front of the driver/left side, bolt the Mounting Bracket to the factory threaded holes with (2) M8 Hex Bolts, (2) M8 Lock Washers and (2) M8 Flat Washers **(Fig 6)**. Do not tighten hardware at this time.
4. Repeat Steps 2 & 3 to install (3) Mounting Brackets on the remaining driver/left side mounting locations along the body panel.
5. Select the Driver Side Bar. Slip (2) M10X1.5-75 Carriage Bolts into each 2-Hole Support Brackets ,and insert the 2-Hole support bracket into the Driver Side Bar.**(Fig 7)**. Carefully position the Bar onto the (4) Mounting Brackets. **IMPORTANT:** Do not slide the Bar on the Brackets or damage to the finish may result. Attach the Driver Side Bar to the Mounting Brackets with (2) M10 Hex Nuts,(2)M10 lock washers and (2)M10 flat washers, **(Fig 8)**. Do not tighten hardware.
6. Level and adjust the Bar properly and tighten all hardware. **NOTE: Torque all M10 X1.5-75 Carriage Bolts to 29~33 lb-ft.**
7. Repeat Step 2-6 for the other side installation.
8. Installation completed!!! **(See Fig 9)**
9. Do periodic inspections to the installation to make sure that all hardware is secure and tight.

Products have a high quality finish that must be cared for like any other exposed finish on the vehicle. Protect the finish with a non-abrasive automotive wax, (e.g. Pure Carnauba) on a regular basis. The use of any soap, polish or wax that contains an abrasive is detrimental, as the compounds scratch the finish and open it to corrosion.

Driver Side Installation Pictured



For 2019 Silverado/Sierra 1500 Crew Cab (Excludes Diesel W/DEF)



Discover other running boards and step bars on our website.