



For 2005-2019 Chevy Tahoe 4-Door (Excl. Z71 & Hybrid) \ 2005-2019 GMC Yukon 4-Door (Excl. Yukon XL & Z71 & Hybrid)  
/2002-2006 Chevy Avalanche (w/Cladding)

## Installation Instructions for IA03SAC1B by APS Auto Parts Specialist Inc.

Application: For 2005-2019 Chevy Tahoe 4-Door (Excl. Z71 & Hybrid) /2005-2019 GMC Yukon 4-Door (Excl. Yukon XL & Z71 & Hybrid)/2002-2006 Chevy Avalanche (w/Cladding)

Estimated Time: 1 to 2 hours



The instruction here is for your reference only. We strongly recommend the professional installer for best result. We are not responsible for any damage caused by the installation. Thank you for choosing our product!

For 2005-2019 Chevy Tahoe 4-Door (Excl. Z71 & Hybrid)/2005-2019 GMC Yukon 4-Door (Excl. Yukon XL & Z71 & Hybrid)/2002-2006 Chevy Avalanche (w/Cladding)

**PARTS LIST:**

Item	QTY	Description	Item	QTY	Description
#1	2	Driver/ Passenger Side Bar	#7	16	M8 Lock Washers
#2	4	Driver Front Mounting Bracket (DFM/DCM/PRM)	#8	8	2-Hole Support Bracket
#3	4	Passenger Front Mounting Bracket (PFM/PCM/ DRM)	#9	16	M10 Flat Washers
#4	16	M8X1.25-20mm Hex Bolts	#10	16	M10 Lock Washers
#5	12	M8 Hex Nuts	#11	16	M10 Hex Nuts
#6	16	M8 Flat Washers	#12	16	M10X1.5-75 Carriage Bolts



DFM/DCM/PRM



2-Hole Support Bracket



PFM/PCM/DRM

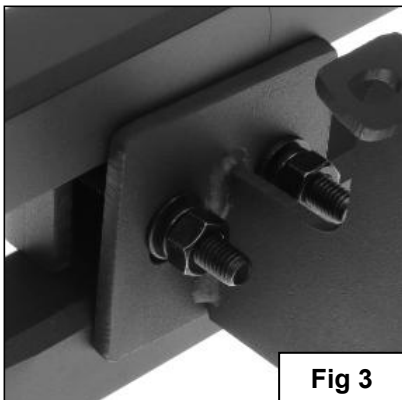
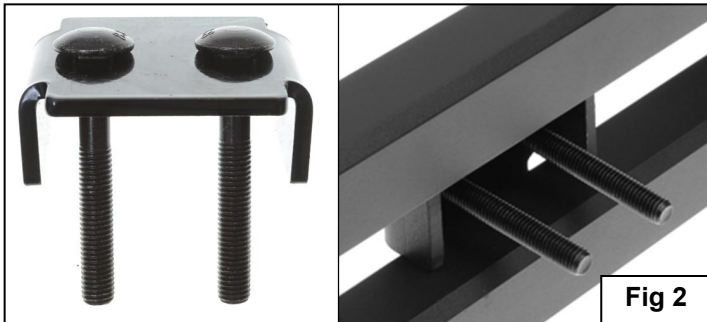
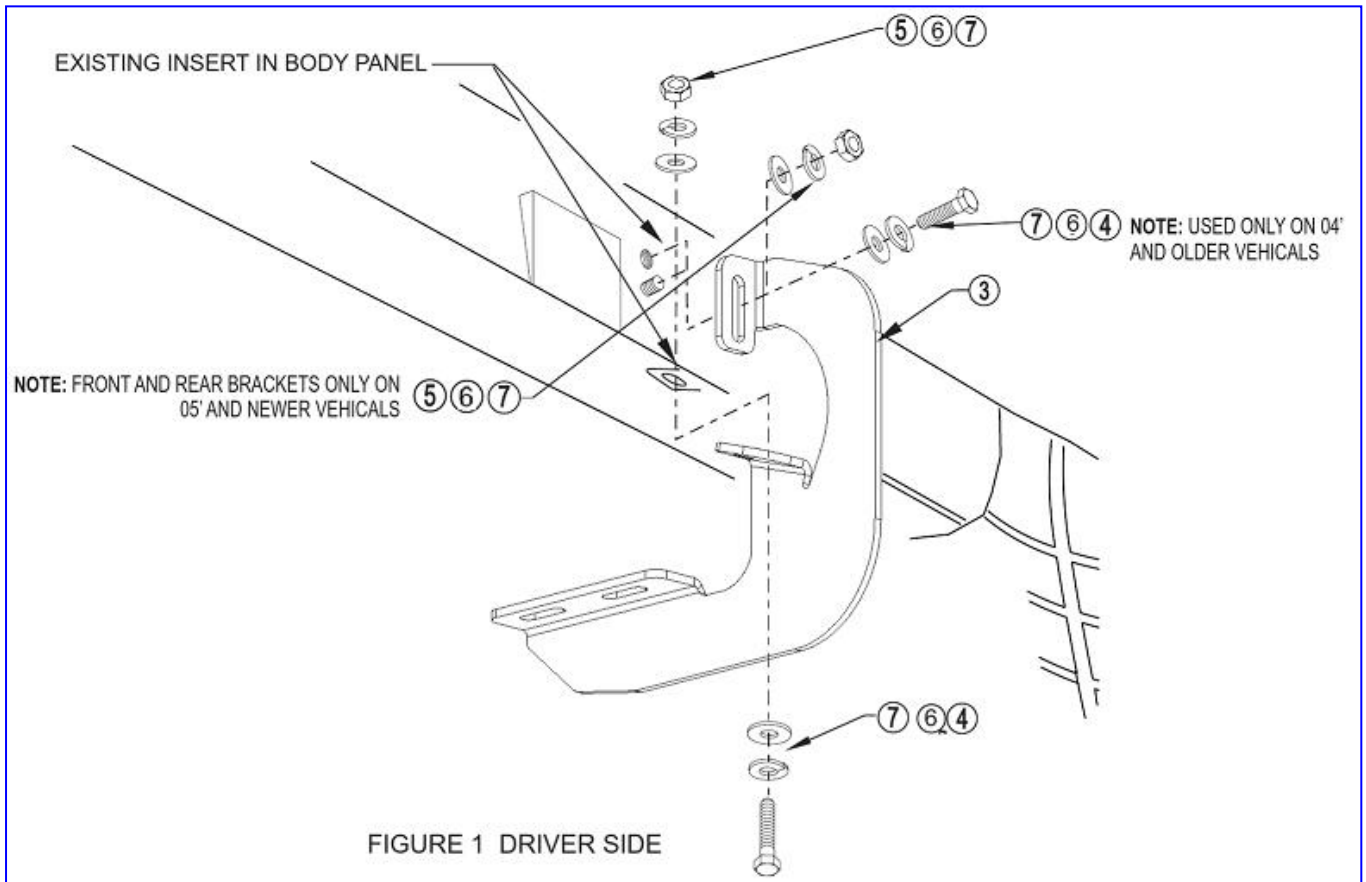
**PROCEDURE:**

1. Verify all parts are present. Read instructions completely before beginning.
2. Attach mounting brackets as shown **SEE FIG 1. NOTE:** The (1)Driver Front, (2)Driver Center, (1)Passenger Rear Brackets are identical. Do not tighten hardware at this time.
3. Select the Driver Side Bar. Slip (2) M10X1.5-75 Carriage Bolts into each 2-Hole Support Brackets ,and insert the 2-Hole support bracket into the Driver Side Bar.(**Fig 2**). Carefully position the Bar onto the (4) Mounting Brackets. **IMPORTANT:** Do not slide the Bar on the Brackets or damage to the finish may result. Attach the Driver Side Bar to the Mounting Brackets with (2) M10 Hex Nuts,(2)M10 lock washers and (2)M10 flat washers, (**Fig 3**). Do not tighten hardware.
4. Level and adjust the Bar properly and tighten all hardware. **NOTE: Torque all M10 X1.5-75 Carriage Bolts to 22~25 lb-ft. Don't over tighten,or the aluminum square bars will be damaged by the brackets.**
5. Repeat Step 2-4 for the other side installation. Installation completed!!! (**Fig 4**)
6. Do periodic inspections to the installation to make sure that all hardware is secure and tight.

Products have a high quality finish that must be cared for like any other exposed finish on the vehicle. Protect the finish with a non-abrasive automotive wax, (e.g.Pure Carnauba ) on a regular basis. The use of any soap, polish or wax that contains an abrasive is detrimental, as the compounds scratch the finish and open it to corrosion.

For 2005-2019 Chevy Tahoe 4-Door (Excl. Z71 & Hybrid)/2005-2019 GMC Yukon 4-Door (Excl. Yukon XL & Z71 & Hybrid)/2002-2006 Chevy Avalanche (w/Cladding)

### Driver/Passenger Side Installation Pictured



Discover other running boards and step bars on our website.