
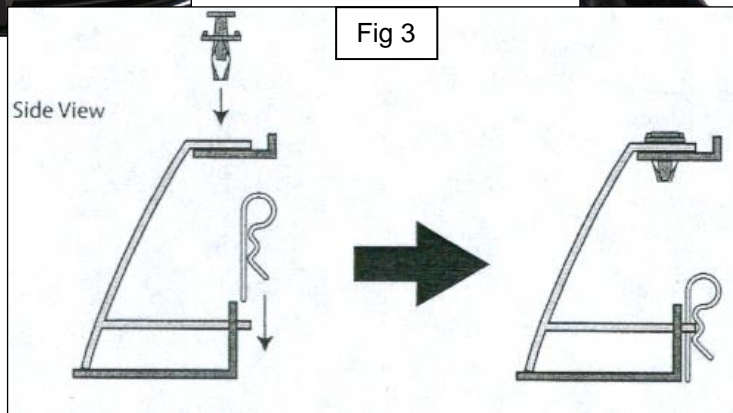


Part#	GR14DED08A/H	Application	For 2004-2006 Nissan Maxima 1 PC Cover 2 Holes
-------	--------------	-------------	--

Parts List	Item	Part Name	QTY	Description	Item	Part Name	QTY	Description
	1	Sheet Grille	1	Stainless steel	2	Hair Pin Clips	4	

Install Notes: Overlay Replacement Drill Cut

Step	Description	illustration
1	Identify the grille & hardware with parts list.	
2	Open the hood and remove the push fasteners retaining the top of the factory grille. Apply masking tape around the factory grille. (Fig 1)	
3	To remove the stock grille, you must squeeze the lower retaining clips and pull the grille straight out from the bumper cover. (Fig 2)	
4	Slide the grille bottom mounting tabs into the stock mounting brackets. Then insert a hair pin clip into each mounting tab to secure the bottom of the grille. Secure the top of the grille using the push fasteners that were removed in step 2. (Fig 3)	



5	Make sure everything is secure and close the hood.
6	Installation completed!!!

The instruction here is for your reference only. You may need to bend the billet grille bars or tabs a little bit to adjust to fit. We strongly recommend the professional installer for best result. Please use masking tape and tape the OEM grille shell along the edge to protect your vehicle during installation. We are not responsible for any damage caused by the installation. Thank you for choosing our product!