


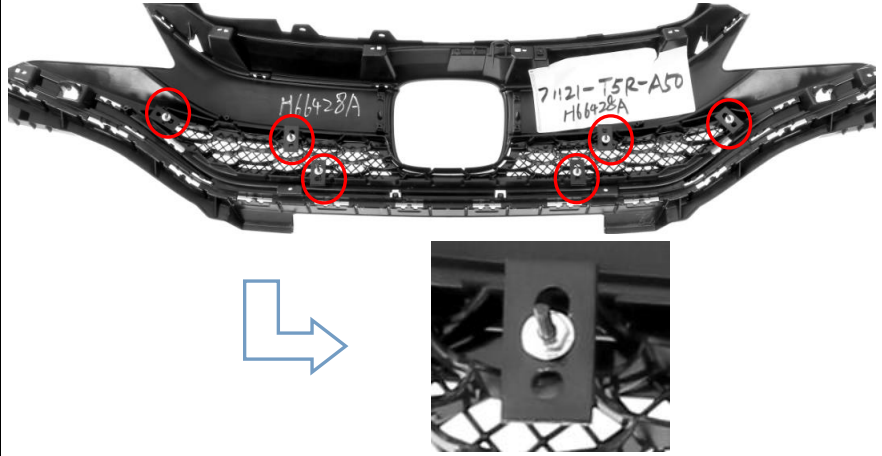



Grille Installation Instruction

Part#	GR08GFD28T/H	Application	For 2018-2019 Honda Fit with logo show Main Upper
-------	--------------	-------------	---

Parts List	Item	Part Name	QTY	Description	Item	Part Name	QTY	Description
	1	Mesh Grille	1	Stainless Steel	3	Studs	6	6-32 X1.5"
	2	Flange Hex Nuts	6	6-32	4	Flat tabs	6	

Install Notes: Overlay Replacement Drill Cut

Step	Description	illustration
1	Identify the grille & hardware with parts list.	
2	Optional (for vehicles with black plastic cover under hood), Pop hood, remove the black plastic cover (on top of OEM grille / front panel) from vehicle. This will allow access to the rear of the grille shell. If you are still unable to access the rear, remove the grille shell and reattach after installation.	
3	Thread a stud in each nut welded to the grille. Center the grille into the opening of the factory grille shell. Be sure the studs are through the OEM grille shell.	
4	Secure the grille using the flat tab and flange hex nut from the back side of the OEM grille shell.	
5	Make sure the grille is centered and tighten the fasteners.	
6	Reinstall the black plastic cover which was removed in step 2.	
7	Installation completed!!!	

The instruction here is for your reference only. You may need to bend the billet grille bars or tabs a little bit to adjust to fit. We strongly recommend the professional installer for best result. Please use masking tape and tape the OEM grille shell along the edge to protect your vehicle during installation. We are not responsible for any damage caused by the installation. Thank you for choosing our product!