



PATENT PRODUCT


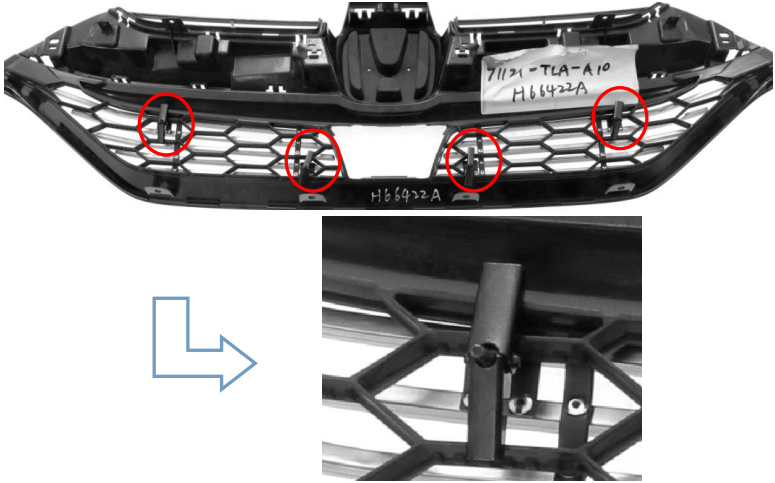

Grille Installation Instruction

Rev. 181201

Part#	GR08FFD22C/S/J	Application	For 2017-2019 Honda CR-V Main Upper
--------------	----------------	--------------------	-------------------------------------

Parts List	Item	Part Name	QTY	Description	Item	Part Name	QTY	Description
	1	Billet Grille	2	Stainless steel	3	Toggle Nut	4	6-32
	2	Bolt	4	6-32x1 5"				

Install Notes: Overlay Replacement Drill Cut

Step	Description	illustration
1	Identify the grille & hardware with parts list.	
2	Optional (for vehicles with black plastic cover under hood), Pop hood, remove the black plastic cover (on top of OEM grille / front panel) from vehicle. This will allow access to the rear of the grille shell. If you are still unable to access the rear, remove the grille shell and reattach after installation.	
3	Center the billet grille into the opening of the factory grille shell. Place the bolt to the holes on the front of the grille. Be sure the bolts are through the OEM grille shell.	
4	Secure billet grille using the toggle nuts from the back side of the OEM grille shell.	
5	Make sure the grille is centered and tighten the fasteners, but do not over tighten.	
6	Reinstall the black plastic cover which was removed in step 2.	
7	Installation completed!!!	

The instruction here is for your reference only. You may need to bend the grille a little bit to adjust to fit. We strongly recommend the professional installer for best result. We are not responsible for any damage caused by the installation. Thank you for choosing our product!