

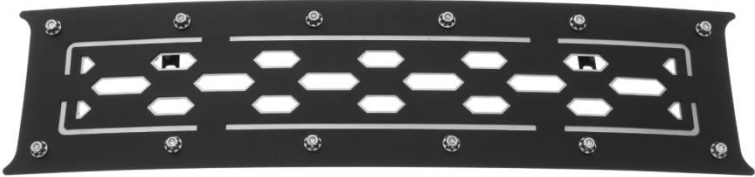


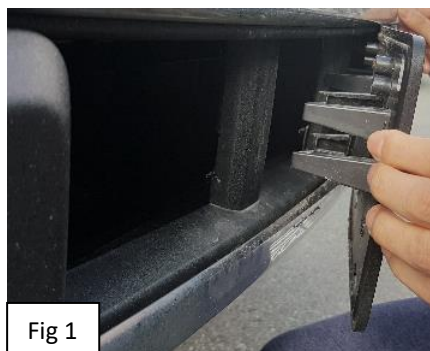
# Grille Installation Instruction

Part#	GR06DFD01D	Application	For 2018-2019 Ford F-150 (drilling may be required for XL/XLT/King Ranch/Plantinum)					
-------	------------	-------------	---	--	--	--	--	--

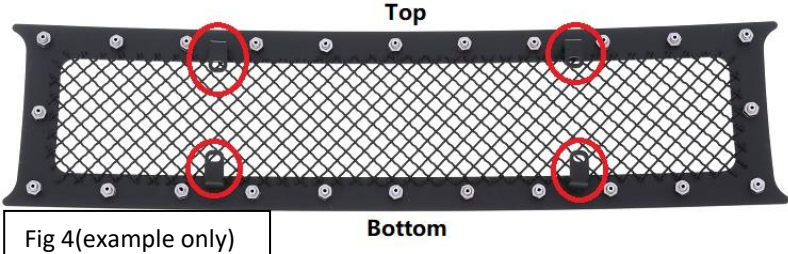
Parts List	Item	Part Name	QTY	Description	Item	Part Name	QTY	Description
	1	Mesh Grille	1	Stainless steel	3	U-Clip	4	8#
	2	Screw	4	8# x 2"	4	Two-hole tab	2	

Install Notes: Overlay  Replacement  Drill  Cut

Step	Description	Illustration
1	Identify the grille and hardware with parts list.	
2	Remove license plate from the bumper. (Fig 1&2)	



3	Attach U-Clips on the two-hole tab, one at each hole, make sure the small hole on the clip is pointing at the opposite direction from the tab bending angle. (Fig 3)
---	--

4	Put two-hole tab on the back of the grille and align with the welded tab. Thread in screws for the top section first to secure two-hole tabs on the welded tabs. (Fig 4)	 <p>Fig 4(example only)</p> <p>Top</p> <p>Bottom</p>
---	--	--

5	Hold the grille up to the opening of the factory shell, and make sure that it is centered. Rotate the two-hole tab and make sure it clamps the back of the OEM grille shell. Then, thread in two more screws on the bottom section to secure the two-hole tabs on the welded tabs. Tighten the screws, but not over tighten.
---	--

6	Installation completed.
---	-------------------------

The instruction here is for your reference only. You may need to bend the billet grille bars or tabs a little bit to adjust to fit. We strongly recommend the professional installer for best result. Please use masking tape and tape the OEM grille shell along the edge to protect your vehicle during installation. We are not responsible for any damage caused by the installation. Thank you for choosing our product!