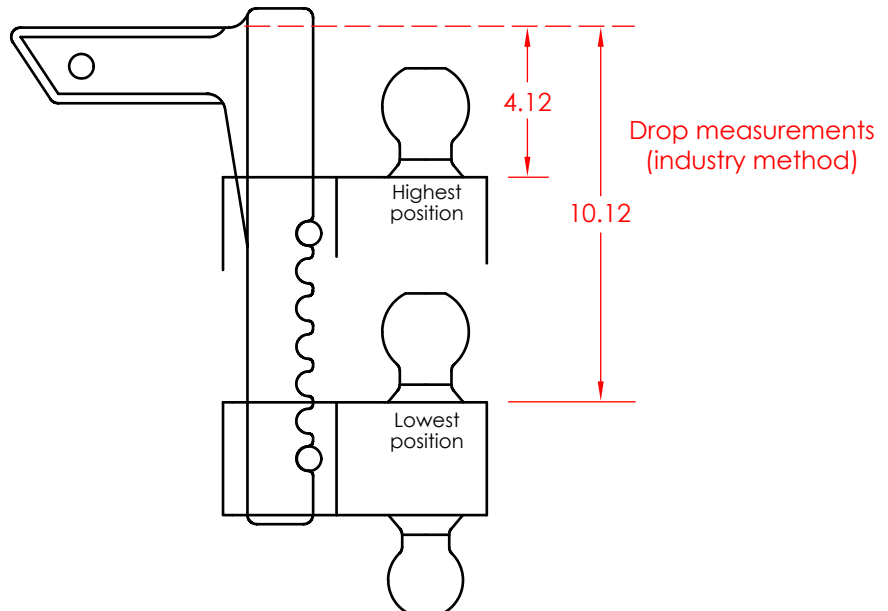
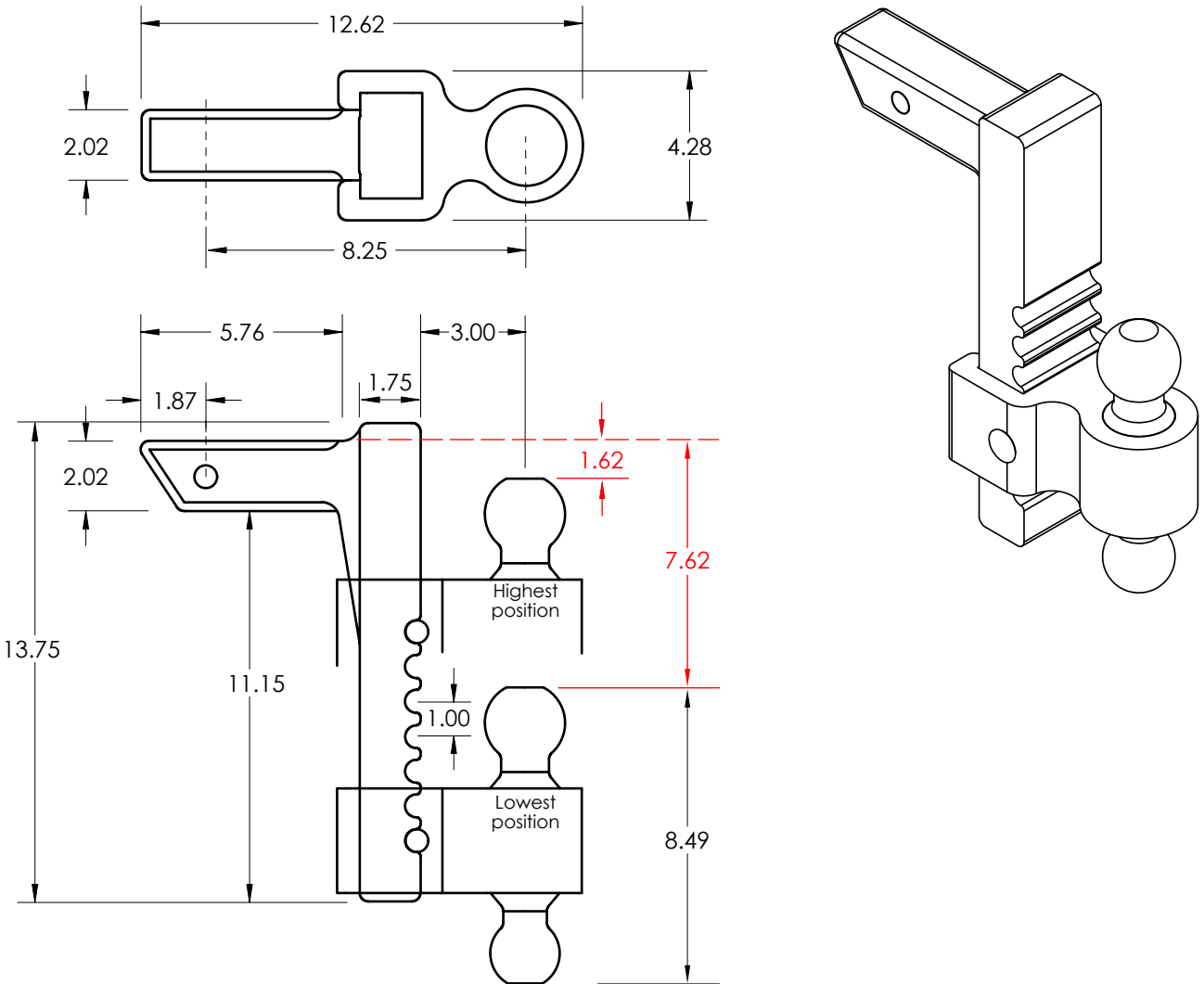



Andersen Hitches 10-inch Rapid Hitch 3413, 3414, 3417, 3418

Note: For all hitch manufacturers, the 'drop' is measured from the top of the receiver bar to the top of the ball housing (shown in red)



 Andersen Manufacturing, Inc.		
TITLE: 10-in Rapid Hitch Models 3413, 3414, 3417, 3418		
SIZE	DWG. NO.	REV
A	10-090115	
SCALE: 1:4	WEIGHT:	