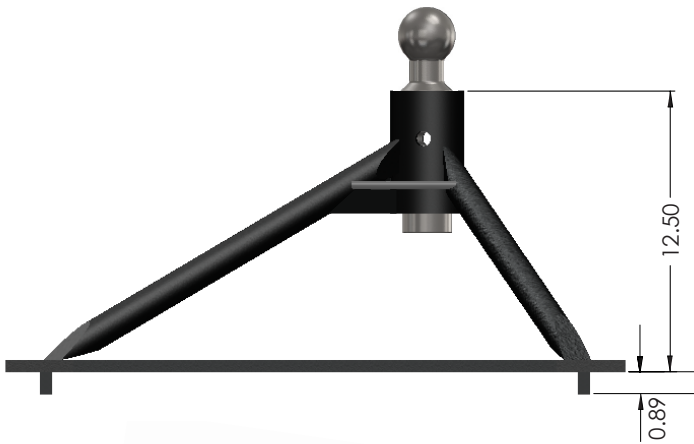
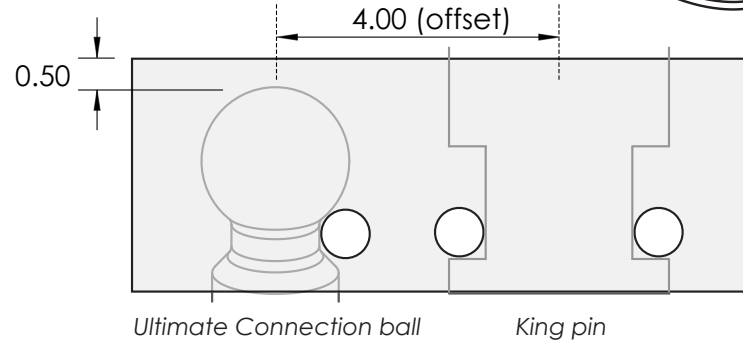
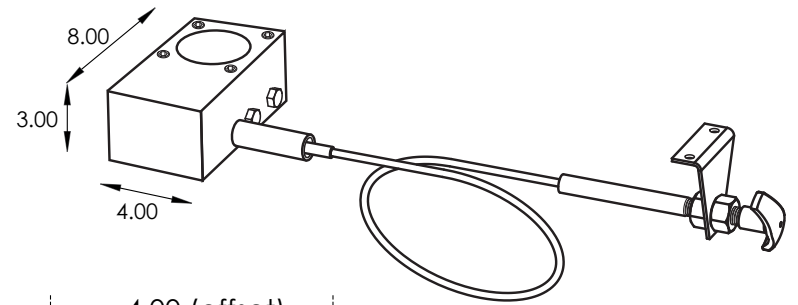
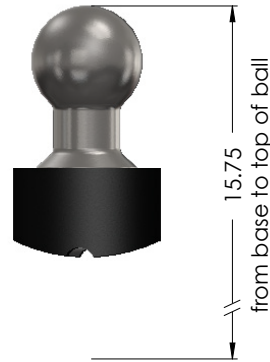


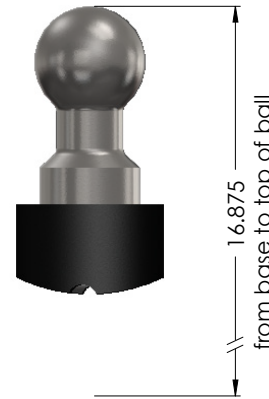
Kingpin Coupler Block



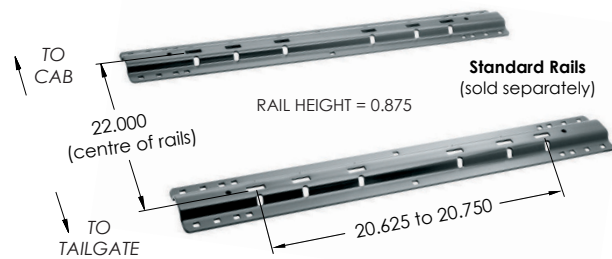
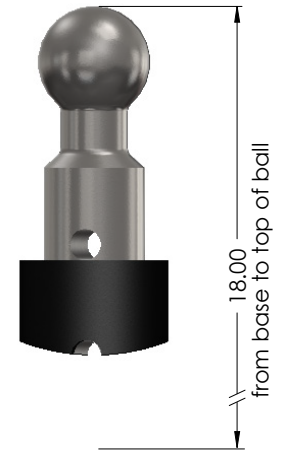
Ball in Low Position



Ball in Mid Position



Ball in High Position



PROPRIETARY AND CONFIDENTIAL
 THE INFORMATION CONTAINED IN THIS DRAWING IS THE SOLE PROPERTY OF ANDERSEN MANUFACTURING. ANY REPRODUCTION IN PART OR AS A WHOLE WITHOUT THE WRITTEN PERMISSION OF ANDERSEN MANUFACTURING IS PROHIBITED.

		UNLESS OTHERWISE SPECIFIED:		NAME	DATE	Andersen Hitches	
		DIMENSIONS ARE IN INCHES TOLERANCES: FRACTIONAL ± ANGULAR: MACH ± BEND ± TWO PLACE DECIMAL ± THREE PLACE DECIMAL ±		DRAWN		TITLE: Part #3200 Ultimate 5th Wheel Connection Rail Mount	
		INTERPRET GEOMETRIC TOLERANCING PER: MATERIAL		ENG APPR.		SIZE	DWG. NO.
		FINISH		MFG APPR.		B	REV
NEXT ASSY	USED ON	APPLICATION		COMMENTS:		SCALE: 1:10 WEIGHT:	
		DO NOT SCALE DRAWING					