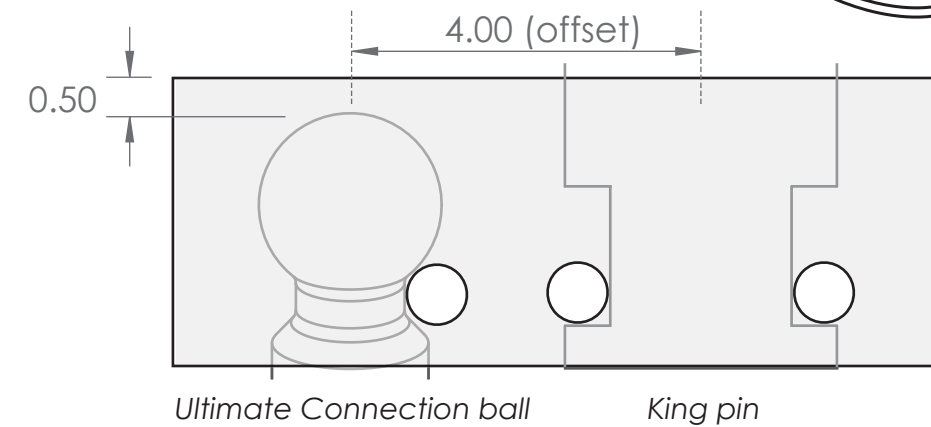
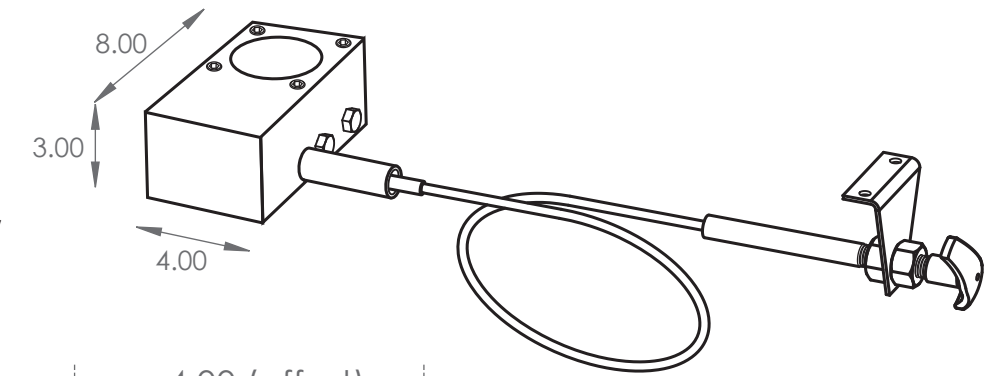


Kingpin Coupler Block



		UNLESS OTHERWISE SPECIFIED:	NAME	DATE	PART #:	3220	
		DIMENSIONS ARE IN INCHES	DRAWN	AP	TITLE:		
		TOLERANCES:	CHECKED		ALUMINUM ULTIMATE		
		FRACTIONAL: ±	ENG APPR.		CONNECTION 2		
		ANGULAR: MACH ± BEND ±	MFG APPR.		SIZE	DWG. NO.	REV
		TWO PLACE DECIMAL ±	Q.A.		B		
		THREE PLACE DECIMAL ±	COMMENTS:				
		INTERPRET GEOMETRIC TOLERANCING PER:					
		MATERIAL					
NEXT ASSY	USED ON	FINISH					
APPLICATION		DO NOT SCALE DRAWING					
					WEIGHT:	SHEET 1 OF 1	