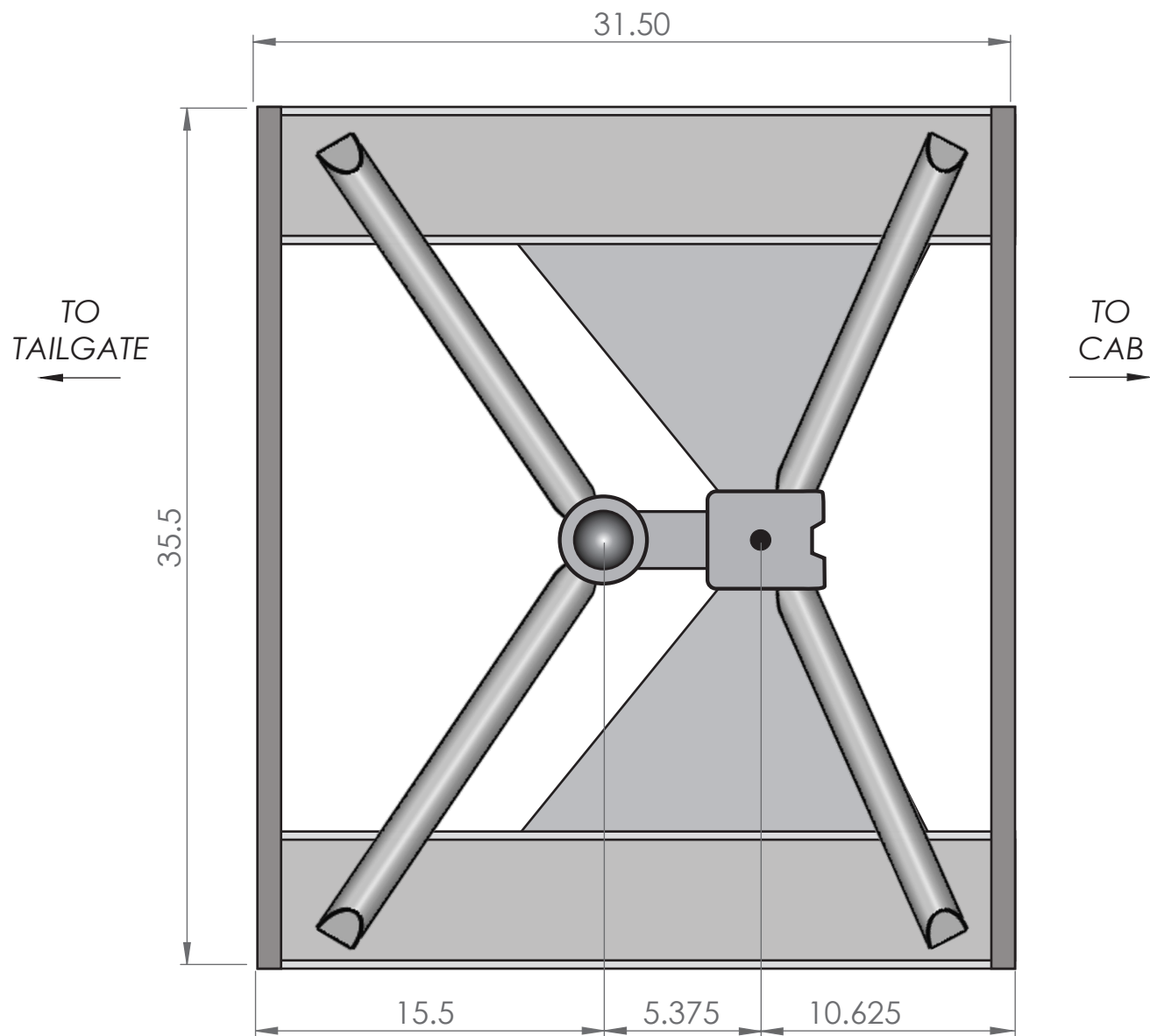
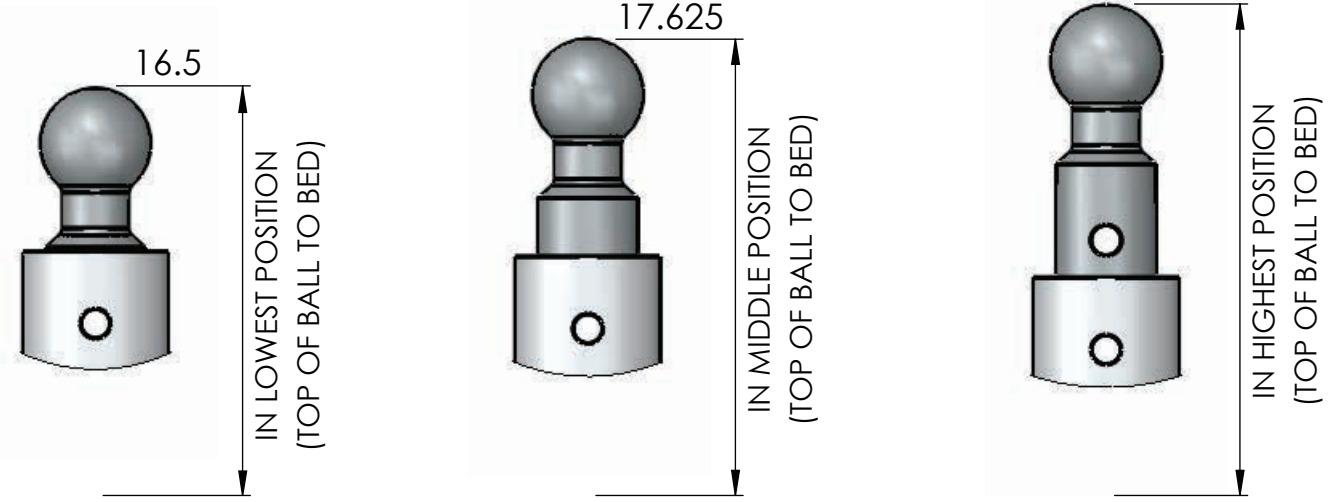
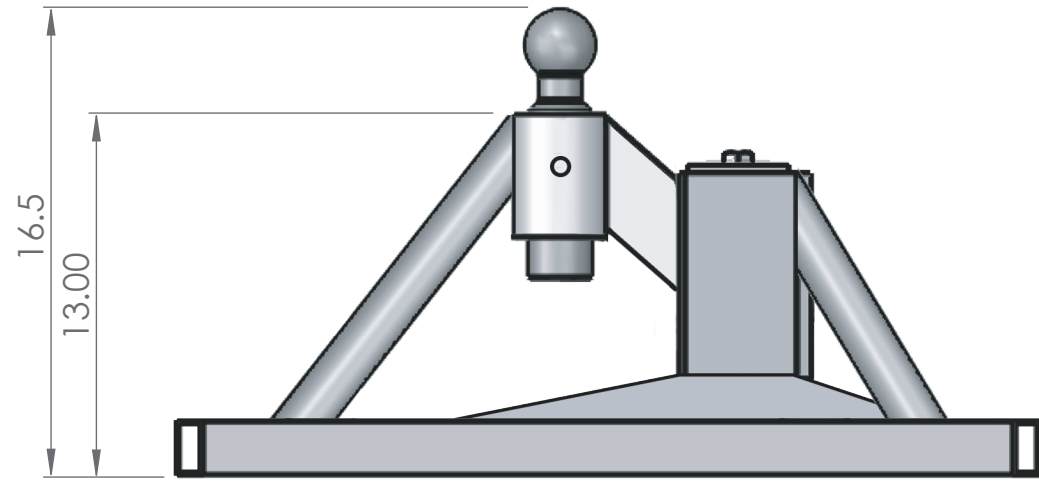
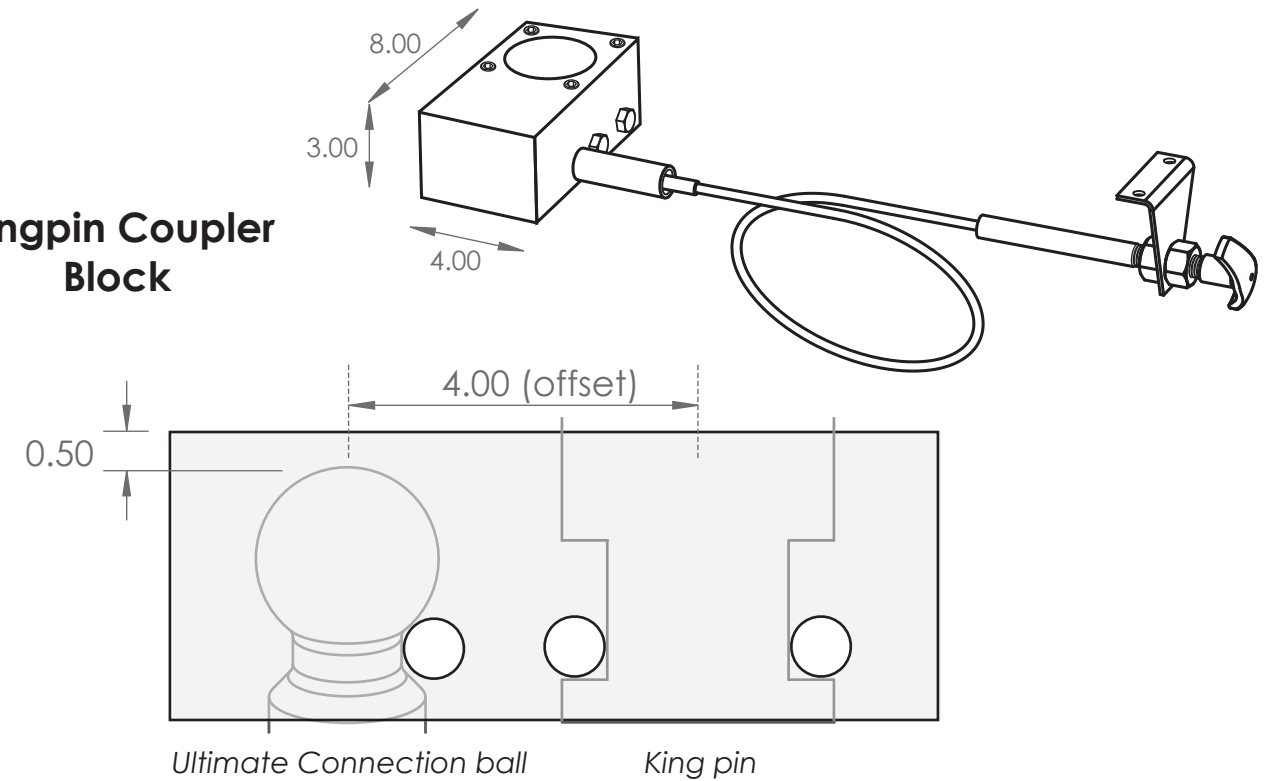


#3220-TBX (Toolbox version)



Kingpin Coupler Block



		UNLESS OTHERWISE SPECIFIED:		NAME	DATE
		DIMENSIONS ARE IN INCHES		DRAWN	AP 11-30-16
		TOLERANCES:		CHECKED	
		FRACTIONAL ±		ENG APPR.	
		ANGULAR: MACH ± BEND ±		MFG APPR.	
		TWO PLACE DECIMAL ±		Q.A.	
		THREE PLACE DECIMAL ±		COMMENTS:	
		INTERPRET GEOMETRIC TOLERANCING PER:			
		MATERIAL			
		FINISH			
NEXT ASSY	USED ON				
APPLICATION		DO NOT SCALE DRAWING			
				TITLE:	
				ALUM ULTIMATE	
				#3220-TBX	
SIZE	DWG. NO.			REV	
B					
				WEIGHT:	SHEET 1 OF 1

Looking for dependable trailer hitches and towing? Rely on Andersen for quality and long-lasting products.