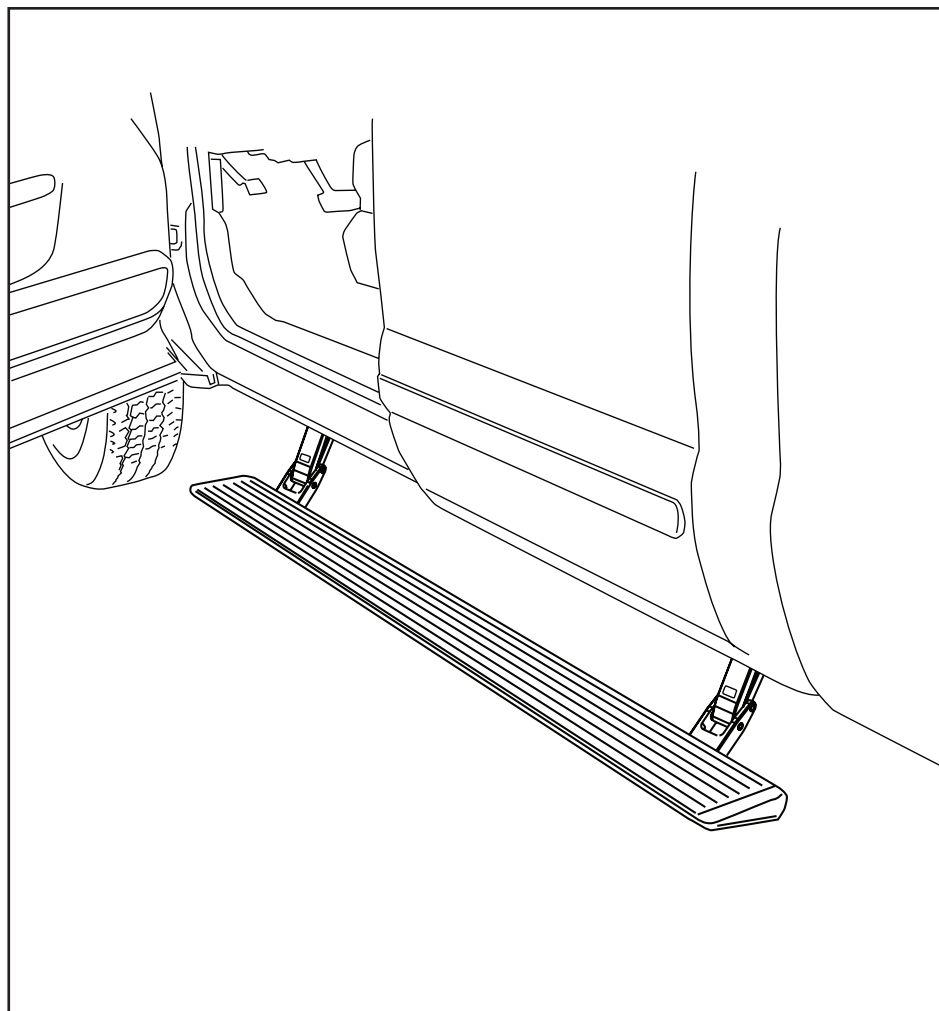


INSTALLATION GUIDE

AMP **RESEARCH** Power Step MADE IN USA

| APPLICATION | LENGTH | MODEL YR | PART # |
|-----------------------|--------|-------------|-----------|
| Ford F150 SuperCab | 72" | 2009 - 2014 | 76141-01A |
| Ford F150 SuperCrew | 79" | 2009 - 2014 | 76141-01A |
| Ford F150 Regular Cab | 55" | 2009 - 2014 | 76141-01A |



INSTALLATION TIME

2-3 Hours

Professional installation recommended

SKILL LEVEL



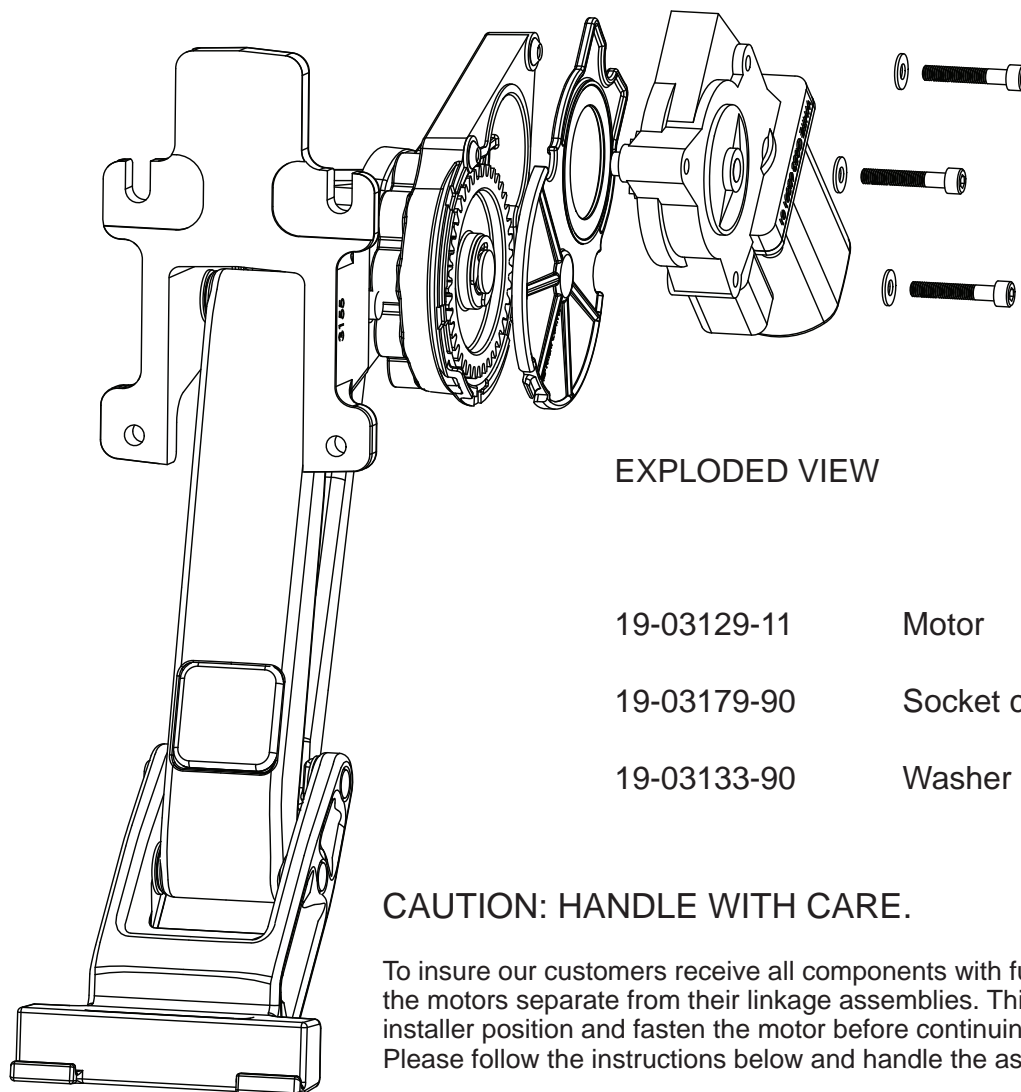
4= Experienced

TOOLS REQUIRED

- Safety goggles
- 8 mm socket
- 10 mm socket
- 13 mm socket
- 13 mm end wrench
- Ratchet wrench and extension
- Wire stripper
- 3/16" hex key wrench (allen wrench)
- 4mm hex key wrench (allen wrench)
- Electrical tape
- Weather proof caulking (silicone sealer)

INSTALLATION GUIDE**Attaching motor to linkage assembly**

The motors must be attached to the linkage assemblies before continuing the installation process.

**EXPLODED VIEW**

| | |
|-------------|------------------|
| 19-03129-11 | Motor |
| 19-03179-90 | Socket cap screw |
| 19-03133-90 | Washer |

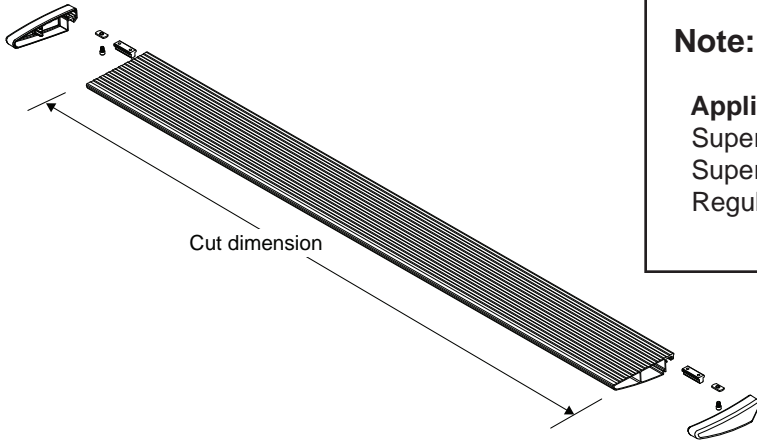
CAUTION: HANDLE WITH CARE.

To insure our customers receive all components with full integrity, we pack the motors separate from their linkage assemblies. This requires that the installer position and fasten the motor before continuing with the install. Please follow the instructions below and handle the assembly carefully.

CAUTION: Dropping the assembly or any excessive impact MAY cause damage to the motor.

Instructions:

1. Position the gear cover in place as shown if not already in place.
2. Seat motor into position on the three mounting bosses. This may require an adjustment of the gear by moving the swing arms.
3. After seating into place, fasten the motor with the three motor mount screws with T30 Torx. Tighten screws to 36 in-lbs (4N-m). Do not over torque.

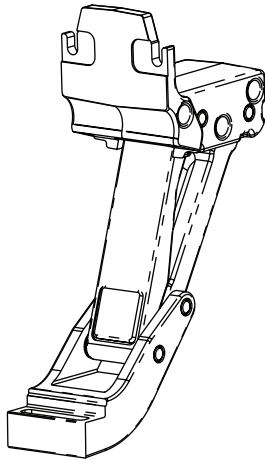


Note: Some Applications require modification.

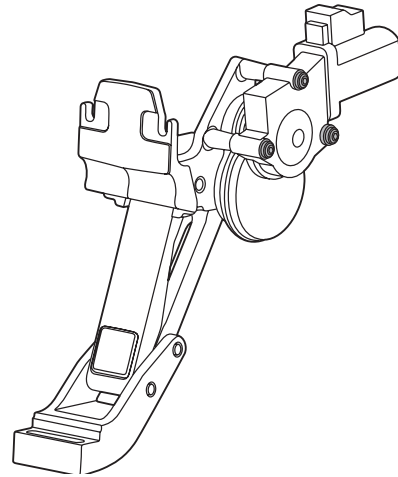
| Application | Cut Length |
|-------------|--------------------------------|
| Super Crew | 79" (No Modification Required) |
| Super Cab | 72" (Trim 7") |
| Regular Cab | 55" (Trim 24") |

1 x2
20-03314-XX
Running board assembly

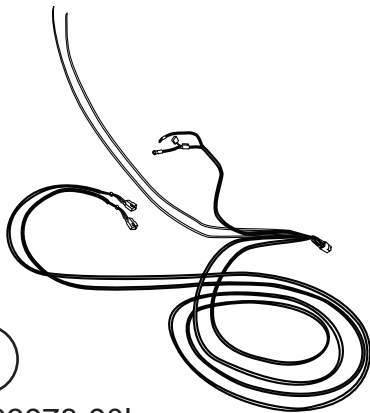
- (A) 19-03225-11 End cap left (x1)
- (B) 19-03225-12 End cap right (x1)
- (C) 18-02663-90 T-nut insert (x2)
- (D) 19-03236-90 Socket cap screw (x2)
- (E) 19-03237-90 Nut plate (x2)



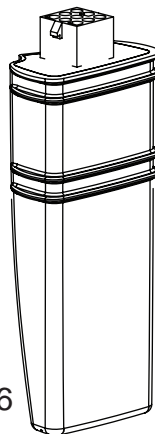
2 x2
10-03007-11
Idler linkage assembly



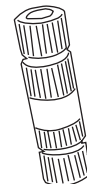
3 x2
10-03006-11
Motor linkage assembly



4
19-03978-90L
Wire harness



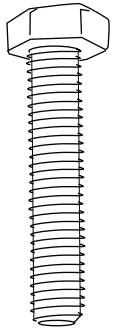
5
19-03297-A06
Controller



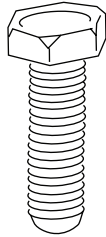
6 x2
19-03985-90
Posi-Lock™ (Grey)

AMP RESEARCH POWERSTEP™ – FORD F-150

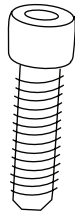
PARTS LIST AND
HARDWARE
IDENTIFICATION



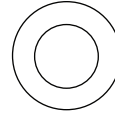
7 x8
19-02487-90
Hex bolt



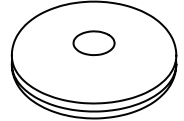
8 x 8
19-02849-90
Hex Bolt



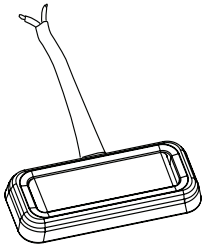
9 x8
19-02802-90
Socket cap screw



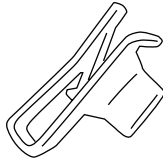
10 x16
16-03014-90
Washer Black



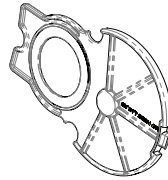
11
19-03699-90
Grommet



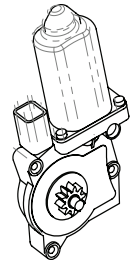
12 x4
19-03302-90
LED Light



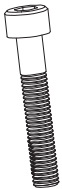
13 x8
19-02488-90
U-nut



14 x2
19-03138-90
Gear Cover



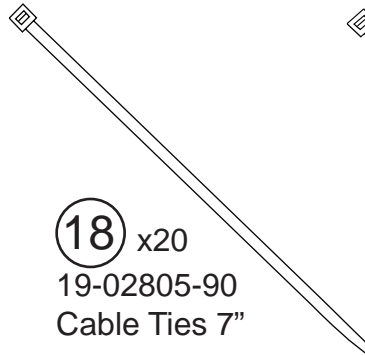
15 x2
80-03129-90
Motor



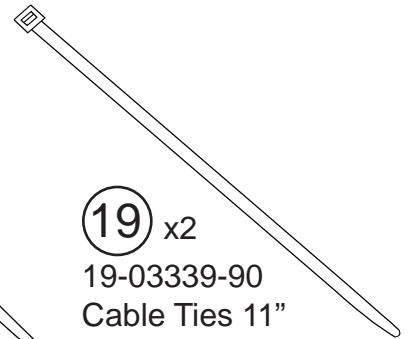
16 x6
19-03179-90
M5 Socket Cap Screw



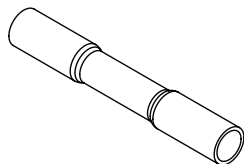
17 x6
19-03133-90
M5 Washer



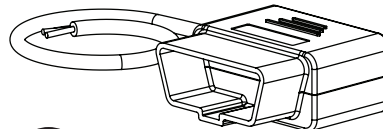
18 x20
19-02805-90
Cable Ties 7"



19 x2
19-03339-90
Cable Ties 11"



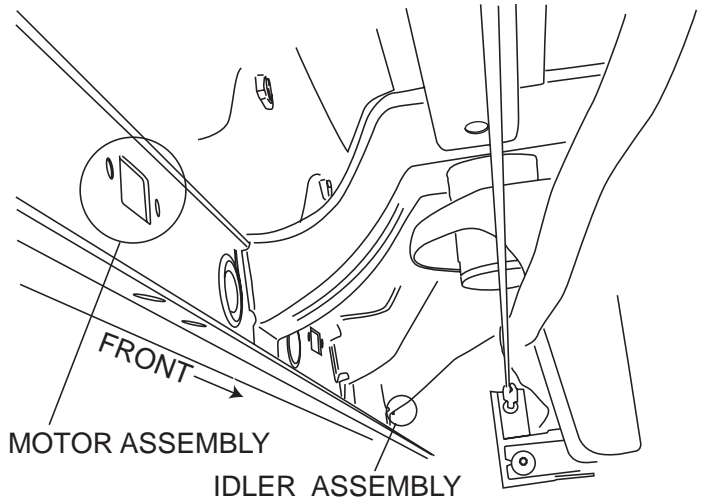
20 x8
19-03911-90
Butt Connector



21
19-03981-90
ODB II Plug

Locate mounting points; first and last set of holes on the inner sill.

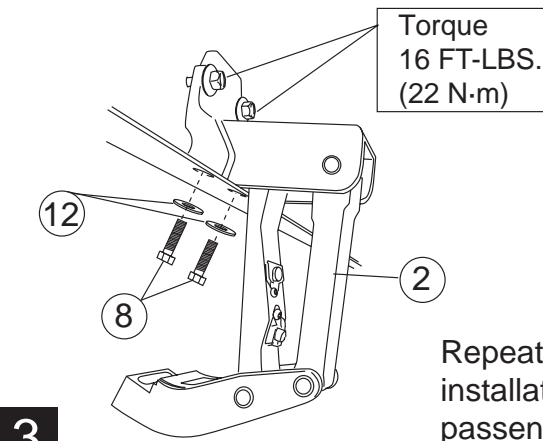
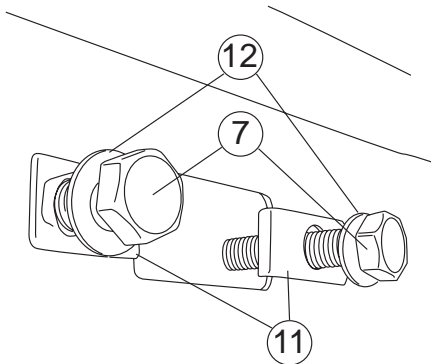
Motor Linkage mounts toward the rear of the truck, with the exception of the passenger side on SuperCab trucks. Mount the motor linkage in front on the passenger side of SuperCab trucks. On SuperCab trucks tie up extra wire with supplied wire ties. **Light wires will need to be pulled out of the harness to allow lights to be installed in proper position.**



1

Install J-clips and start bolts with washers installed.

Mount idler assembly and motor assembly. Note: Filing of sheet metal edge may be required if the sheet metal holes are misaligned.



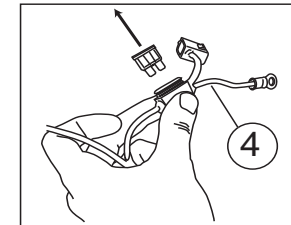
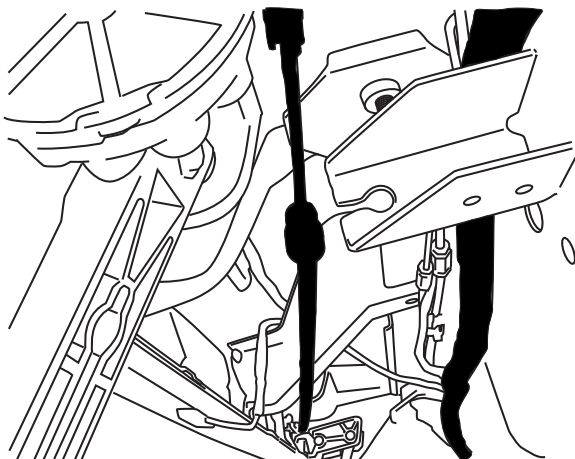
2

3

Repeat linkage installation on passenger side

On Regular Cab models remove E brake cable and route factory wire harness above cable mount.

Remove fuse from wire harness



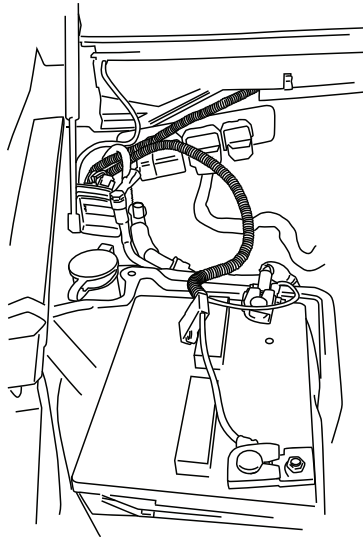
Attach wire harness to controller (make sure connector locking tabs fully engage). Mount controller with the two 11" tie wraps to factory conduit.



4

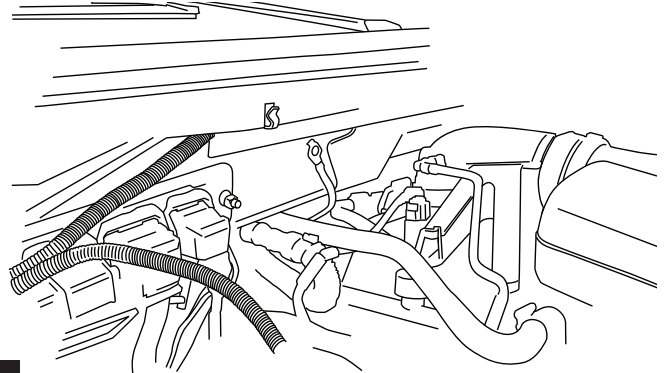
5

Connect red and black power leads to battery. Red lead goes to positive. Route shorter leg of harness down passenger-side wheel well.



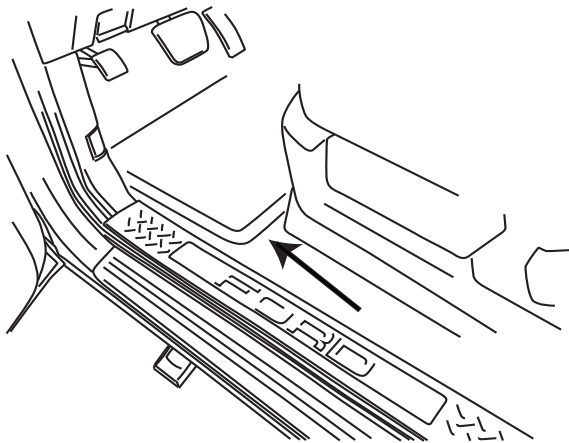
6

Route longer leg of harness down along driver-side wheel well and along frame of vehicle. Secure with tie wraps.



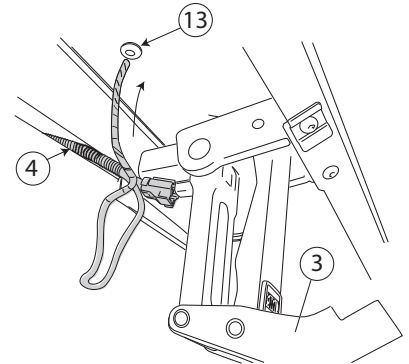
7

Remove driver side front kick panel and door sill plate. Roll back carpet to access hole for grommet installation.



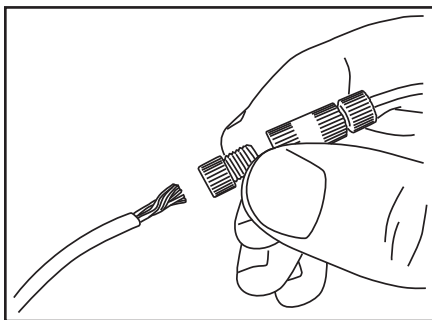
8

Remove tape from 3/4" hole in floor panel above front linkage on driver side and insert grommet. Thread the two trigger wires through grommet up into the cabin of vehicle. Seal grommet with silicone sealer.

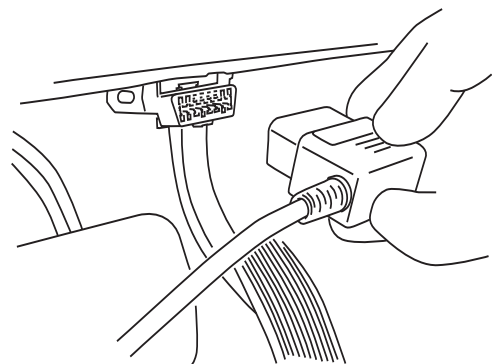


9

Wire OBD II connector with Posi-Splice.



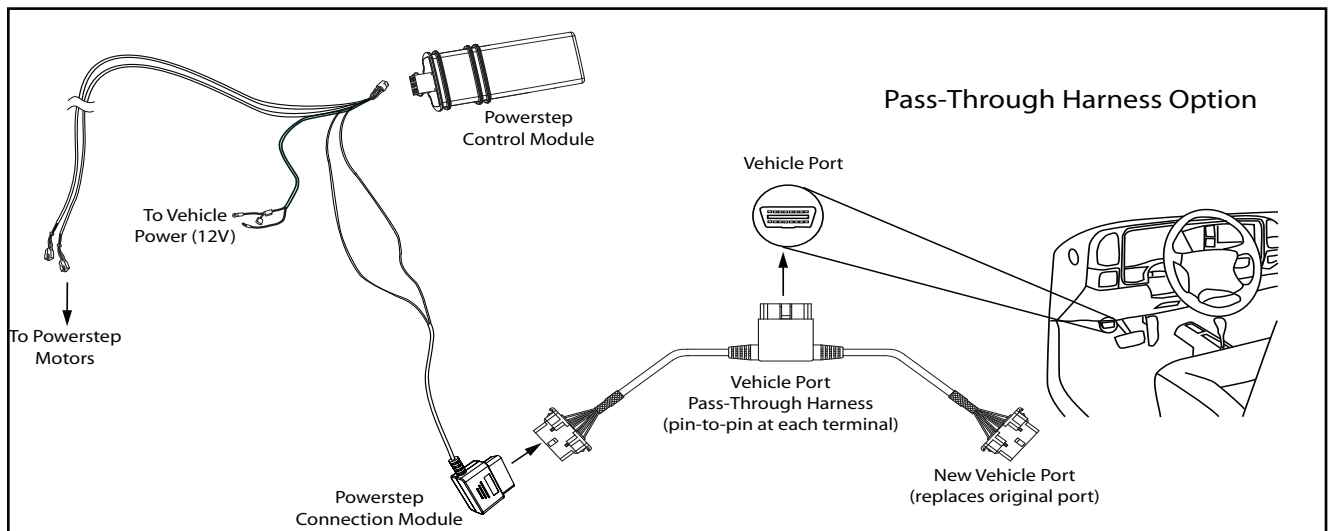
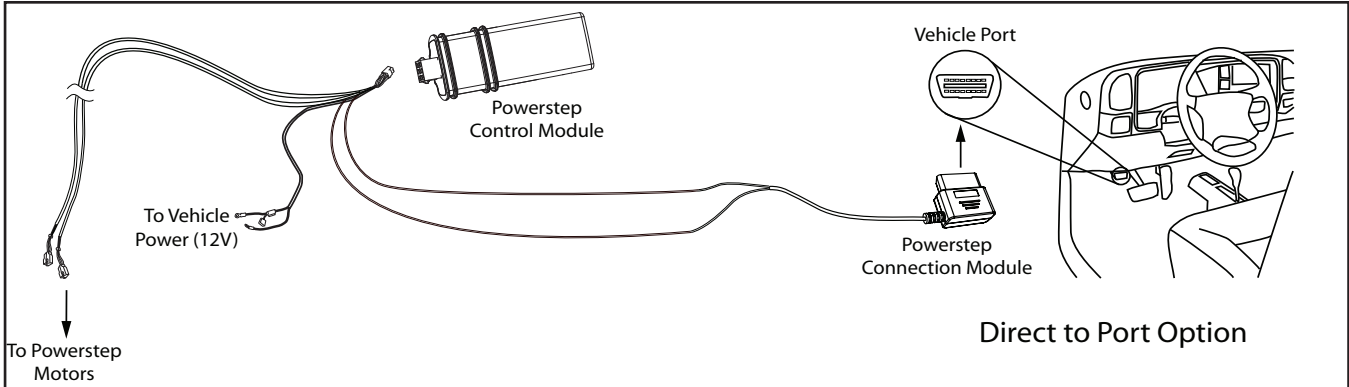
OBD II Connector located below steering column.



10

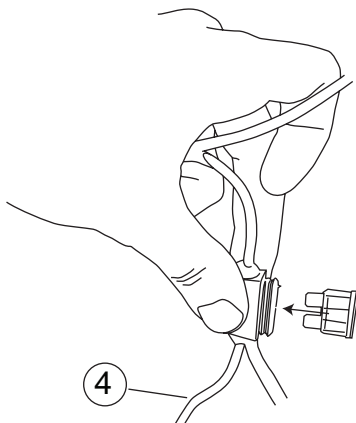
OBD II install: Use Supplied Posi Twist connectors to attach the Plug and Play Module to the Harness. Attach matching colors on the harness to the wires on the module. Plug in module to OBD II port on the vehicle. Secure harness with supplied tie wraps.

Note: If the OBD II pass thru harness (76404-01A) was purchased see install sheet supplied in packaging. The pass through harness allows for an open port for other accessories. See below for a brief description.

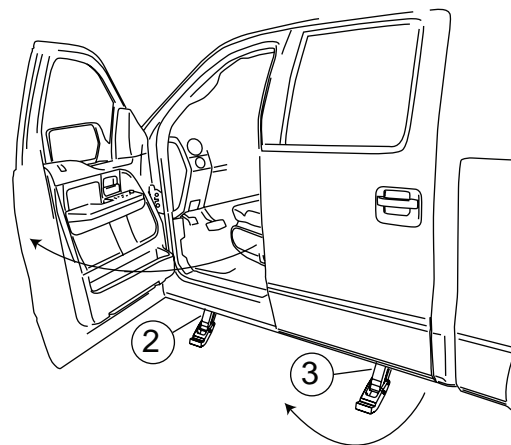


12

Replace fuse.



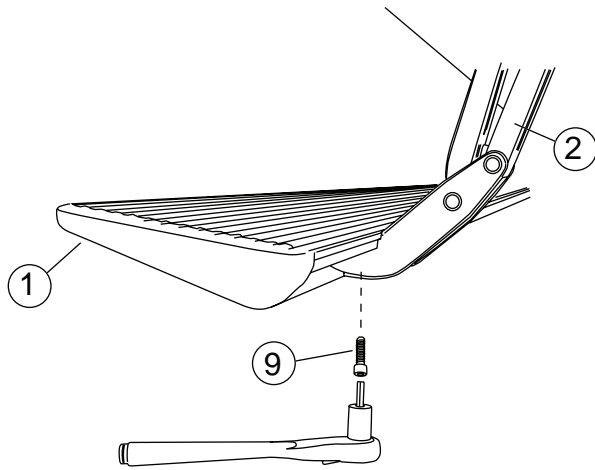
16



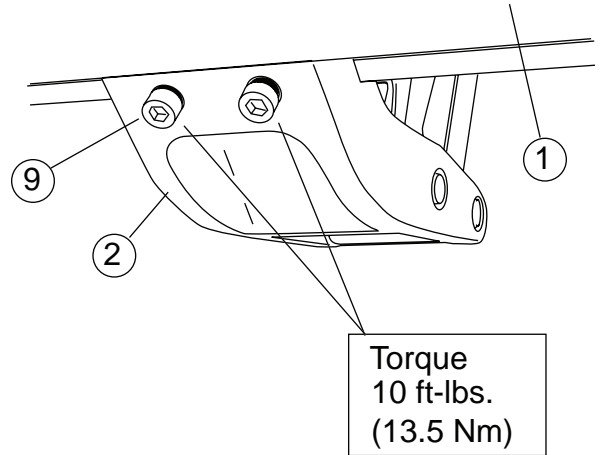
Open doors to extend drive linkage assembly (if not already extended).

17

Attach step, sliding the mounting T-nut into position. Align endcap with edge of front door.

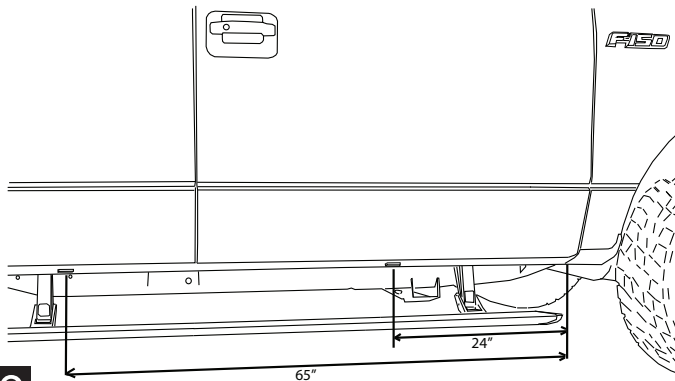


18



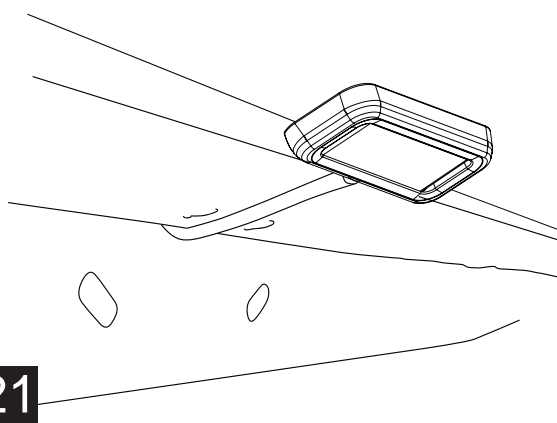
19

On each side of the vehicle measure from the front edge of door line on the pinch weld to the specified lengths below. Measure at 20" for front LED Light and 60" for rear LED Light.



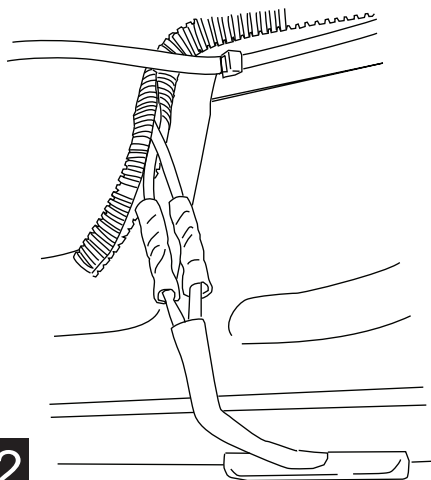
20

Affix lamps to rocker panel surface. Make sure the lamp is affixed to a clean, flat surface. There is a step down midway across the surface. Affix lamp just outside of step down.



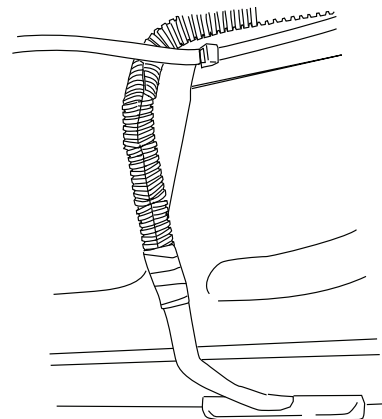
21

Using supplied butt connectors, connect the lamp wires. Red to Red, Black to Black



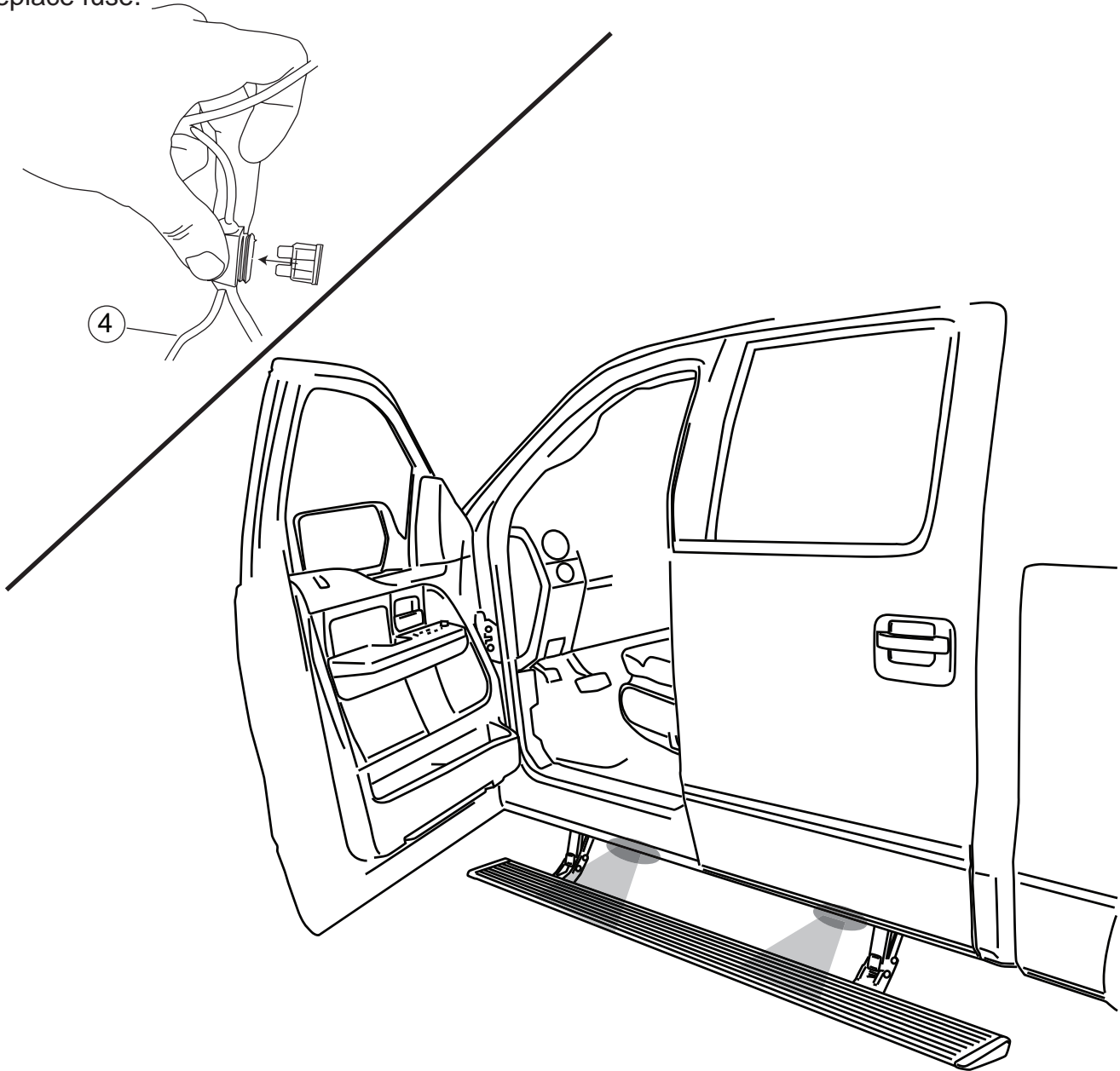
22

Close and wrap with conduit and electrical tape. Secure all loose wires with cable ties, with lamp wires pulled upward to avoid any wire snagging.



23

Replace fuse.



FINAL SYSTEM CHECK

Check that all doors activate the PowerStep and the LED lights work when doors open and close.

NORMAL OPERATION: When the doors open, PowerStep automatically deploys from under the vehicle.

When the doors are closed, PowerStep will automatically return to the stowed/retracted position. **Note that there is a 2-second delay before the PowerStep returns to the stowed/retracted position.**

CORRECT OPERATION OF LIGHTS: All four lamps will illuminate upon opening any door of vehicle. Lamps will stay on until restowing of both Power Steps or until 5 minutes has expired with the doors open. When the lights timeout after 5 minutes, they can be reilluminated by closing and opening any door of vehicle.



PowerStep™

Congratulations on your purchase of the genuine AMP Research PowerStep! Here's what you should know...

POWER-DEPLOYABLE RUNNING BOARDS OPERATION: AMP Research PowerStep running boards automatically move when the doors are opened to assist entering and exiting the vehicle.



Automatic power deploy:

The running boards will extend down and out when the doors are opened.

Automatic power stow:

The running boards will return to the stowed position when the doors are closed. There will be a 2-second delay before the running boards move to the stowed position.

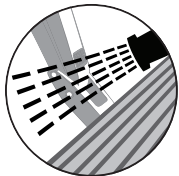
Automatic stop:

If an object is in the way of the moving running board, the running board will automatically stop. To reset, clear any obstruction, then simply open and close the door to resume normal operation.



Manually set in the deployed (OUT) position for access to the roof:

The running boards can be manually set in the deployed position by firmly holding the step down with your foot while at the same time closing the door. To resume normal operation, open and close the door.



Maintenance: In adverse conditions, debris such as mud, dirt, and salt may become trapped in the running board mechanism, possibly leading to unwanted noise. If this occurs, manually set the running boards to the deployed position and flush the front and rear hinge arms with a high-pressure car wash wand. Avoid spraying the motors directly. After washing, apply silicone spray lubricant to the hinge pivot pins. Do not apply silicone, wax or protectants like Armor All® to the running board stepping surface.

Caution! Keep hands away when the running board is in motion.

WARNING

Be sure to read and precisely follow the provided instructions when installing this product. Failure to do so could place the vehicle occupants in a potentially dangerous situation. After installing or reinstalling, re-check to insure that the product is properly installed.