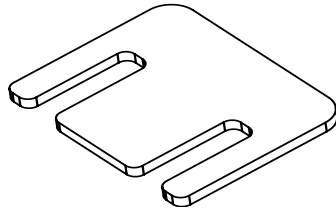


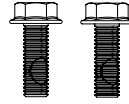
AMP RESEARCH BedStep 2™

Chevy Silverado / GMC Sierra
Dually Upgrade Kit

PART NUMBER:
75610-01A

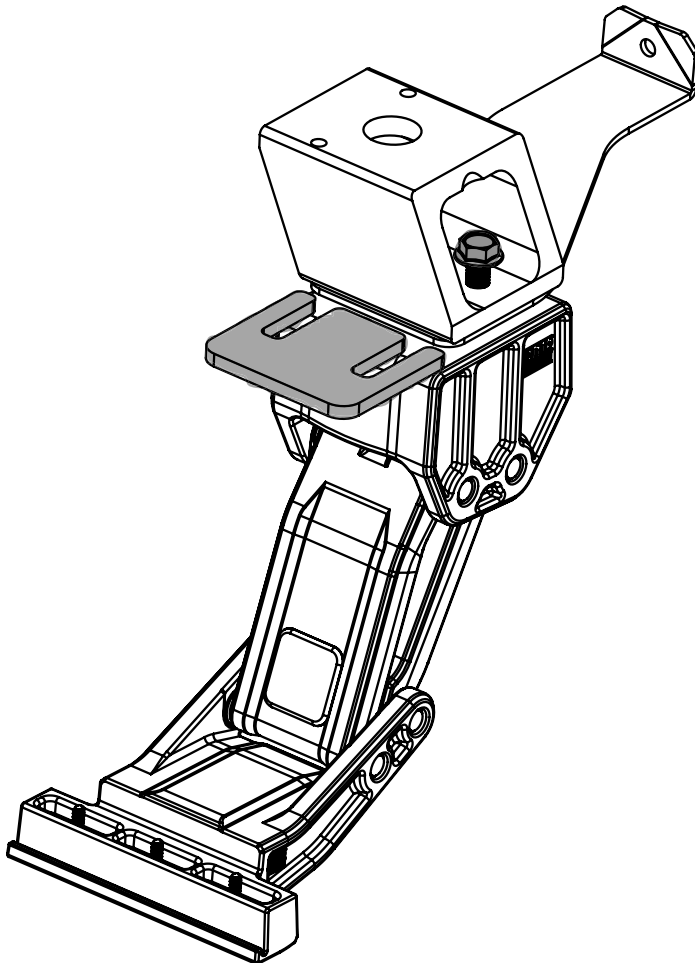


15-03834-90



19-03836-90

For Dually applications install spacer between linkage assembly and frame bracket. Use supplied M10x40 bolts. **Do not tighten bolts yet. Continue with installation provided with p/n 75400-01A.**



1



18mm