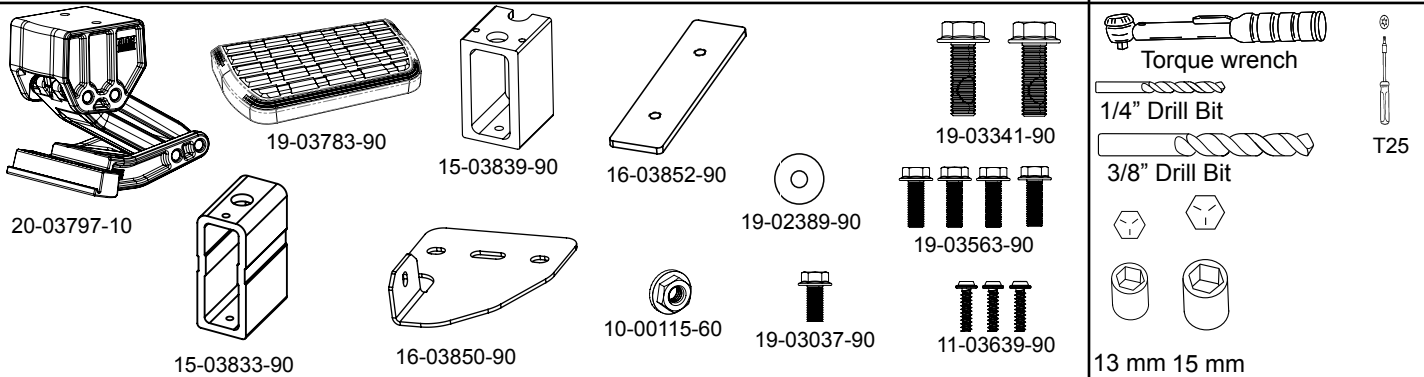


# AMP RESEARCH BedStep 2™

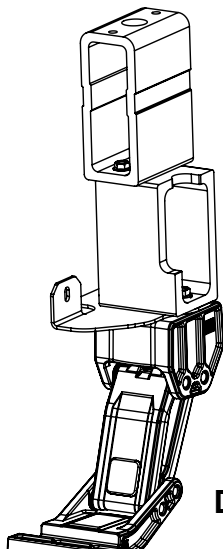
Dodge Ram DS  
1500 (2009-Current)  
2500/3500 (2010-Current)

PART NUMBER:  
75406-01A

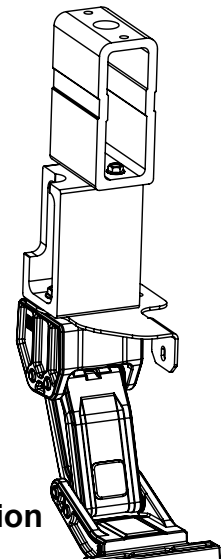


For 6.5' & 8' bed lengths components must be configured for Passenger or Drivers-Side as shown.

**NOTE: For Dually applications see kit 75611-01A for proper bracket orientation.**

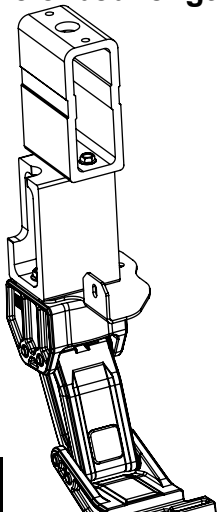


Driver-Side Orientation

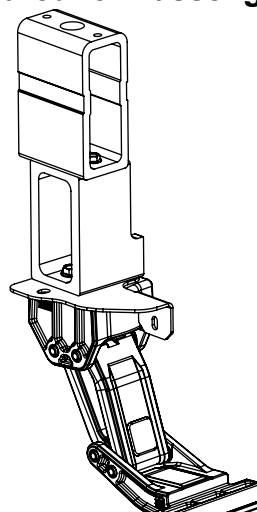


Passenger-Side Orientation

For 5.5' bed length components must be configured for Passenger or Drivers-Side as shown.

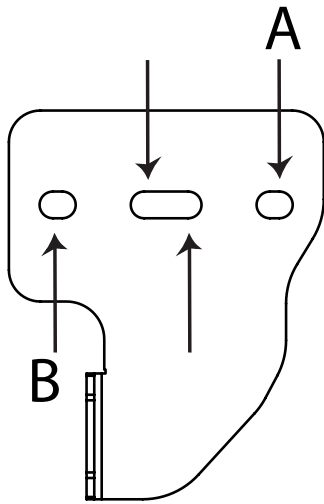


1 Driver-Side Orientation



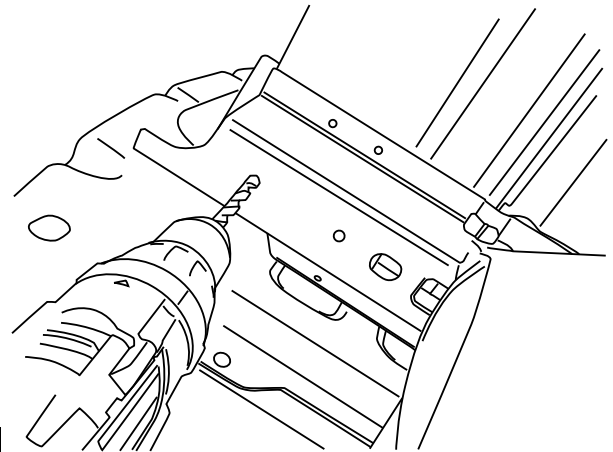
Passenger-Side Orientation

Hole set A is to be used on 6.5' and 8' beds  
Hole set B is to be used on 5.5' beds.



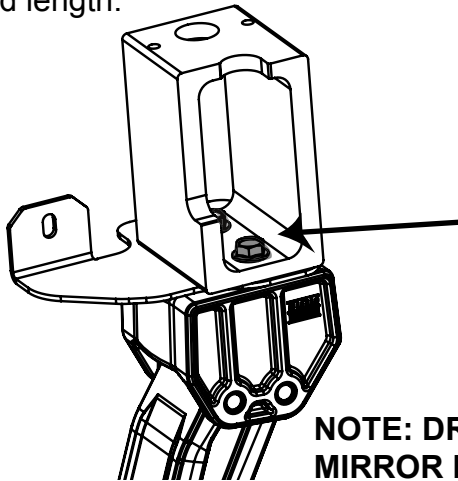
2

Use supplied drill template (See page 4) and mark holes in front bed channel mount. Pre drill holes using 1/4" drill bit. Next drill hole to 3/8".



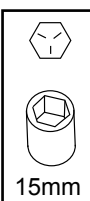
3

Using a 15mm Socket assemble Lateral mount onto linkage. Steel bracket is to be assembled between linkage and lateral mount. **Do not tighten bolts yet.** See Step 2 for bracket orientation based on bed length.



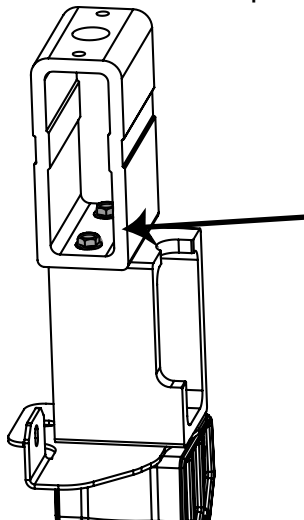
4

**NOTE: DRIVER SIDE SHOWN WITH 6.5' & 8' BED.  
MIRROR FOR PASSENGER SIDE.**



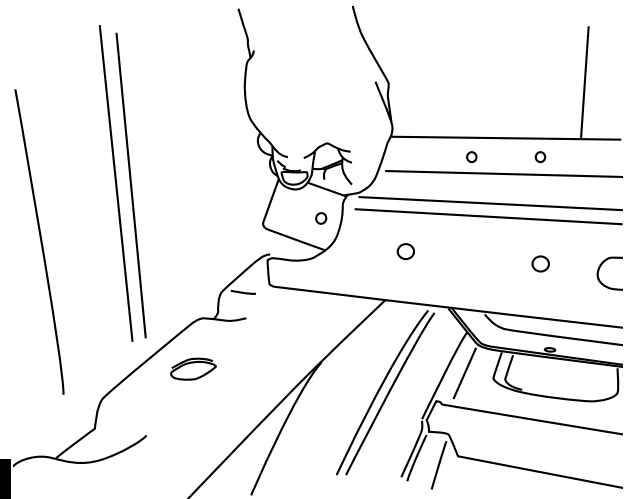
15mm

Using a 13mm socket assemble frame mount onto Lateral mount. Torque bolts to 16 ft-lbs.

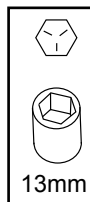


5

Slide threaded plate into bed channel and line up threaded locations to pre drilled holes.

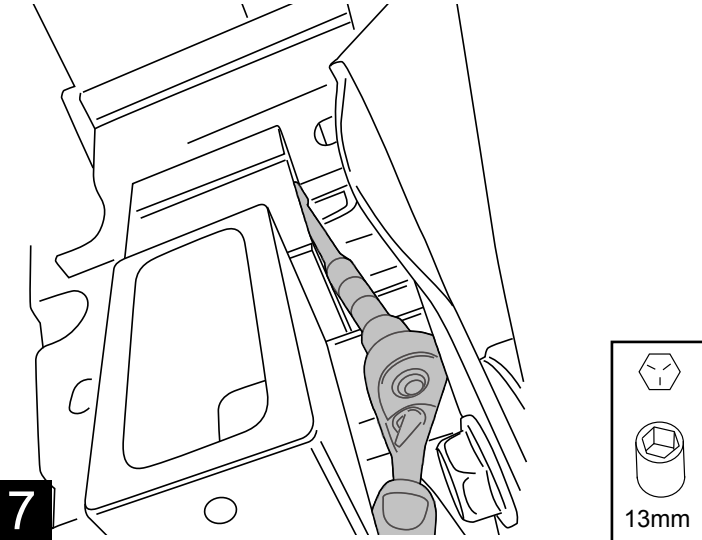


6

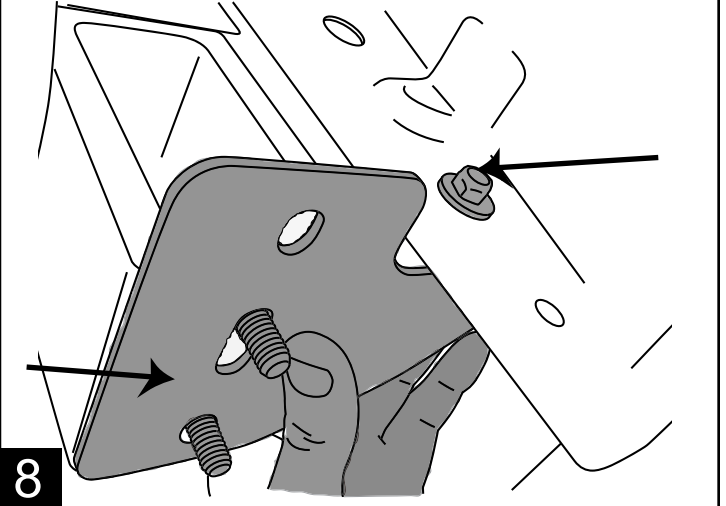


13mm

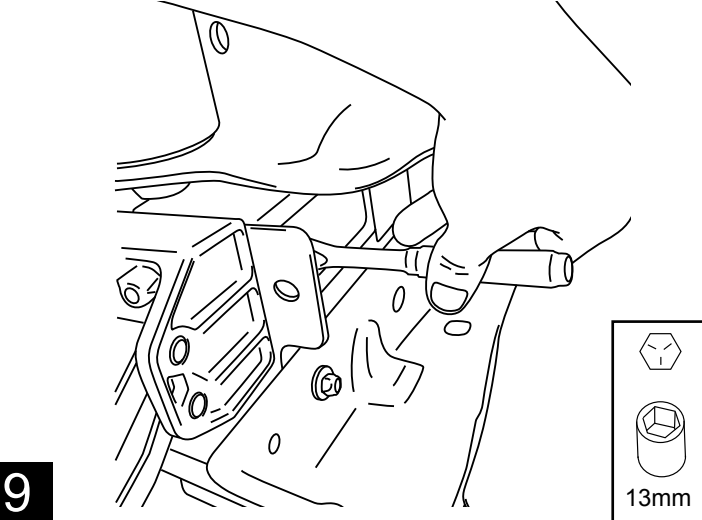
Using a 13mm Socket with extension, align bolts with threaded plate. Torque to 16ft-lbs.



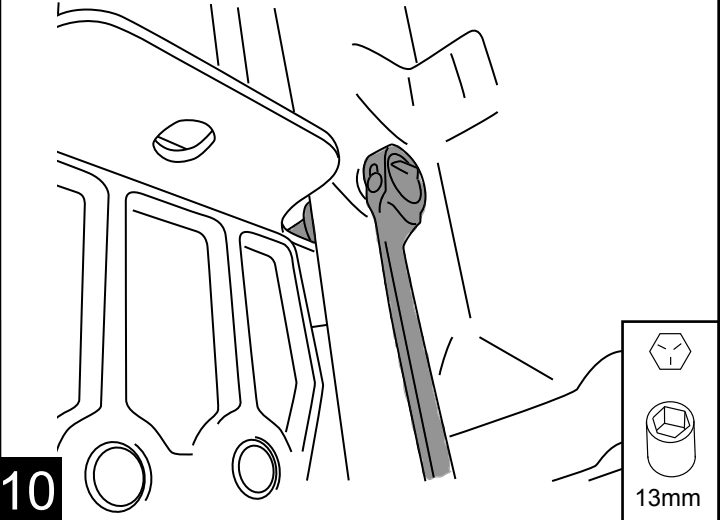
Set bolts into lower lateral mount. Set bracket into place and use provided hardware to bolt bracket to inner bed brace.



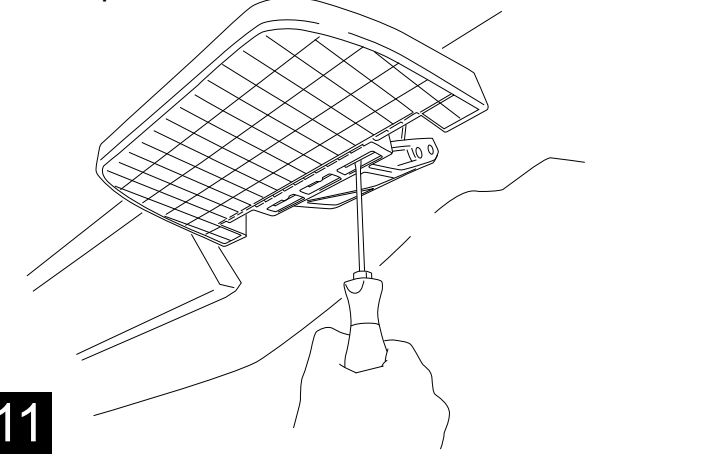
Set linkage into position, tighten bolts using 15mm Socket. Torque to 20 ft-lbs.



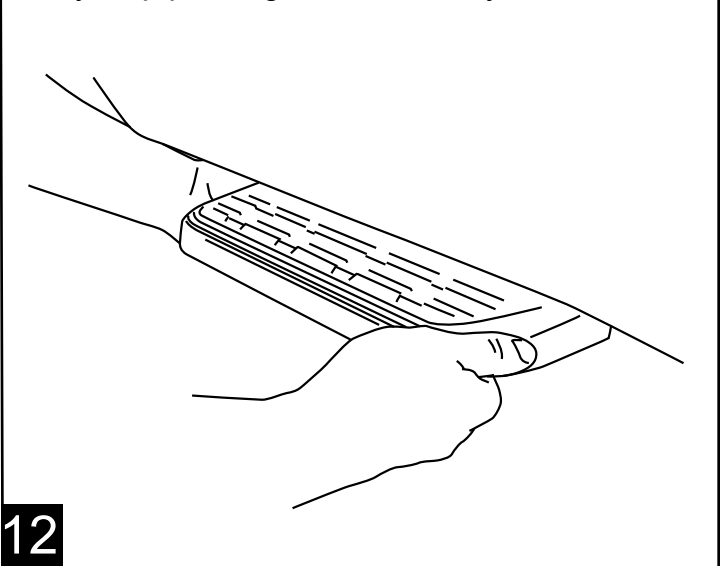
Tighten bracket bolt with 13mm socket and wrench. Torque to 16 ft-lbs.



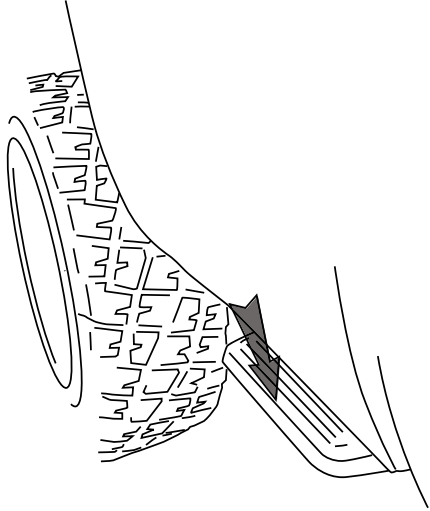
Locate the step pad in the following positions per application. Crew Cab 1500 offset step pad rearward. All other applications mount step pad in center position.



Verify step pad alignment to body line of vehicle.

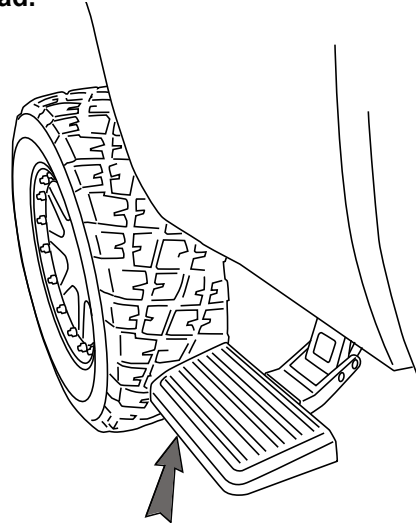


To deploy the step, press down using your foot on the outside edge of the step pad.



13

To retract, gently kick up on the underside of the step pad.



14

Align this edge up to vertical reinforcement plate on edge of bed channel.



Approx 4.10"

Center Template on bed channel and align edge up to vertical reinforcement plate on edge of bed channel.

