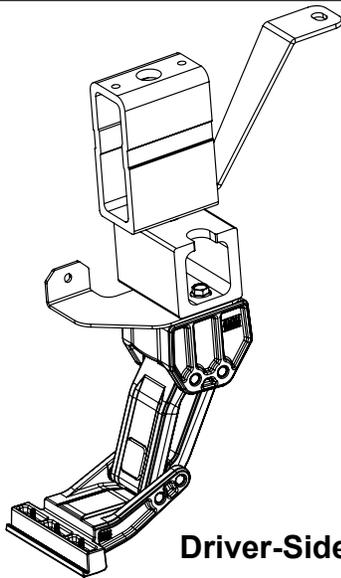
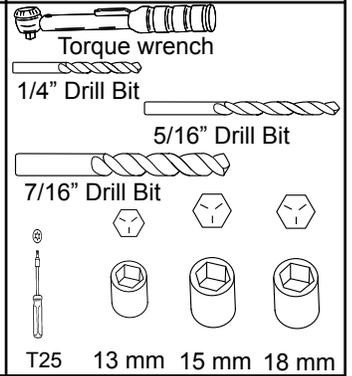
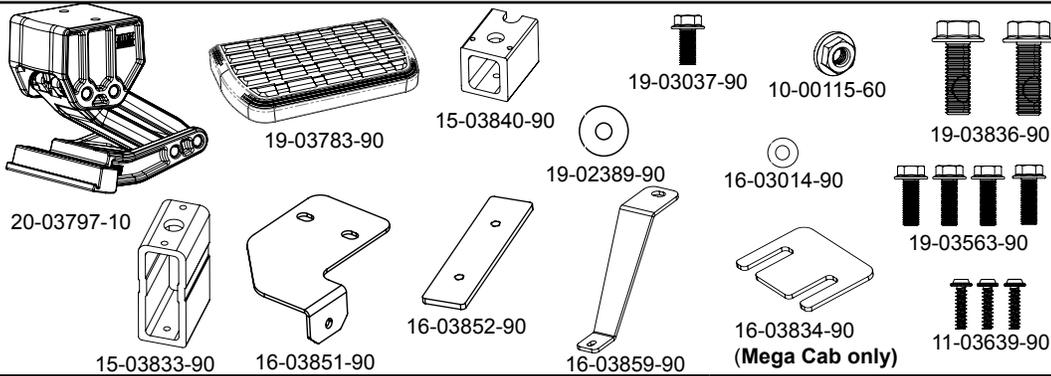


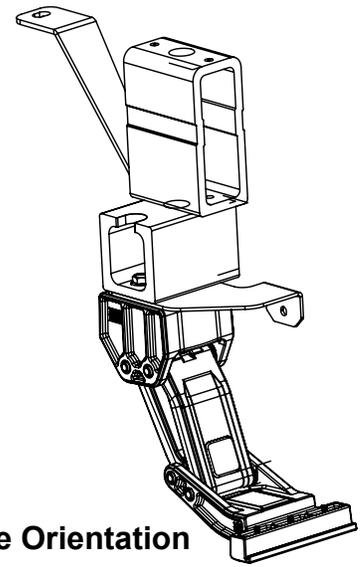
AMP RESEARCH BedStep 2™

Dodge Ram DR
1500 (2002-2008)
2500/3500 (2003-2009)
(Includes Dually applications)

PART NUMBER:
75404-01A

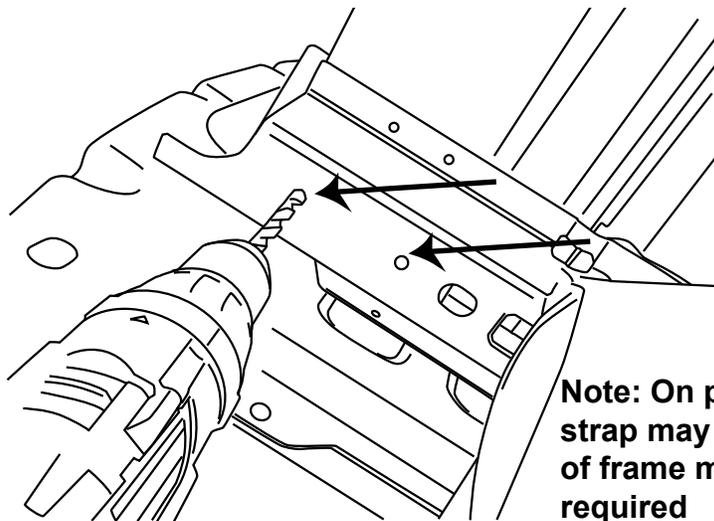


1 Driver-Side Orientation



Passenger-Side Orientation

Use supplied drill template (See page 4) and mark holes in front bed channel mount. Pre drill holes using 1/4" drill bit. Next drill hole to 7/16".

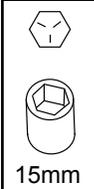
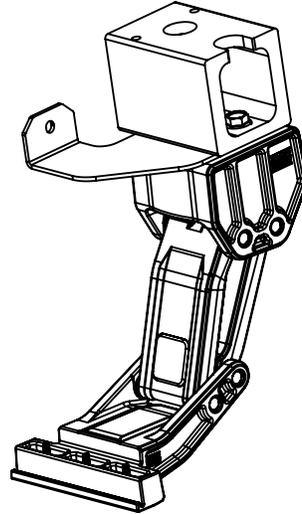


Note: On passenger side Ground strap may interfere with mounting of frame mount. Relocation may be required

2

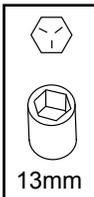
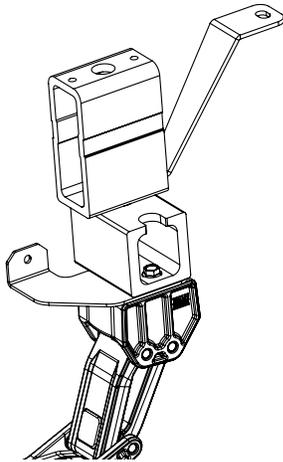
Using a 15mm Socket assemble Lateral mount onto linkage. Steel bracket is to be assembled between linkage and lateral mount. **Do not tighten bolts yet.** Drivers side orientation show. Mirror for passenger side.

Note: Mega Cab applications need provided spacer 15-03834-90. Place spacer between linkage and steel bracket.



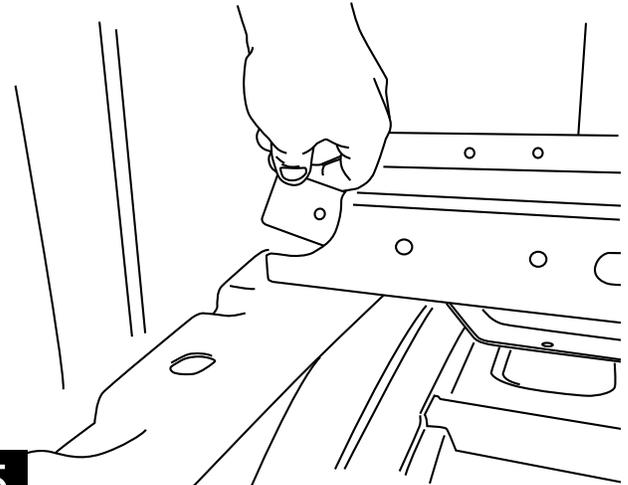
3

Using a 13mm Socket assemble Frame mount. Do not tighten bolts. Steel bracket will need to be adjusted to mount up to bed mount bolt.



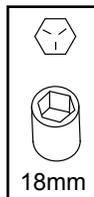
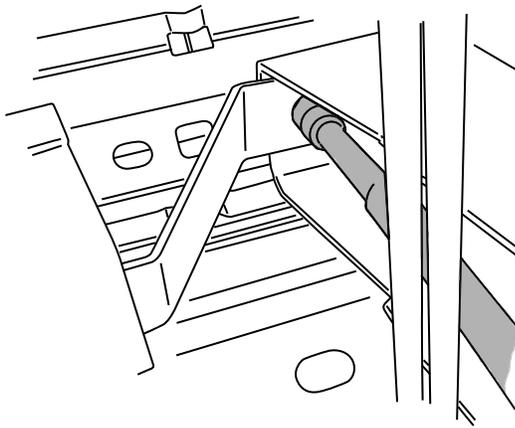
4

Slide threaded plate into bed channel and line up threaded locations to pre drilled holes.



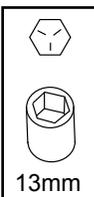
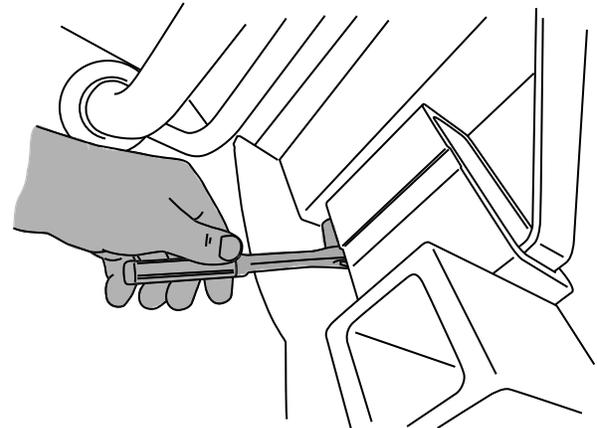
5

Using a 18mm Socket assemble Frame mount bracket to bed mount bolt. Do not tighten bolts



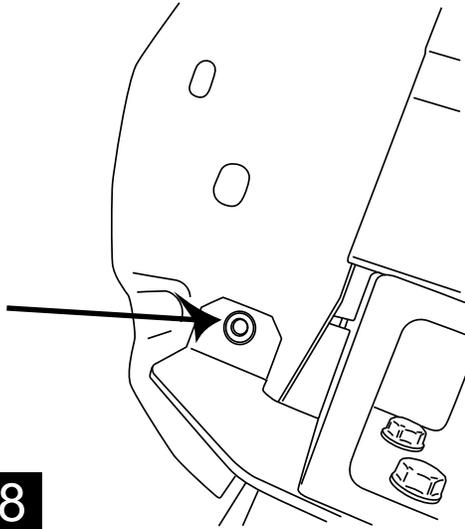
6

Using 13mm Socket tighten 2 bolts holding Frame mount to bed channel. Do not tighten bolts



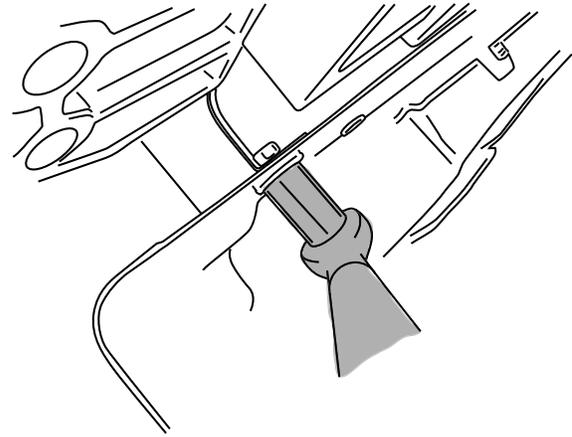
7

Slide Support bracket up to bed sheetmetal. Drill using 5/16 drill bit.

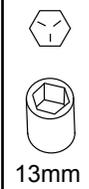


8

Use 13mm socket and wrench tighten bolt using fender washer. Torque to 16 ft-lbs.

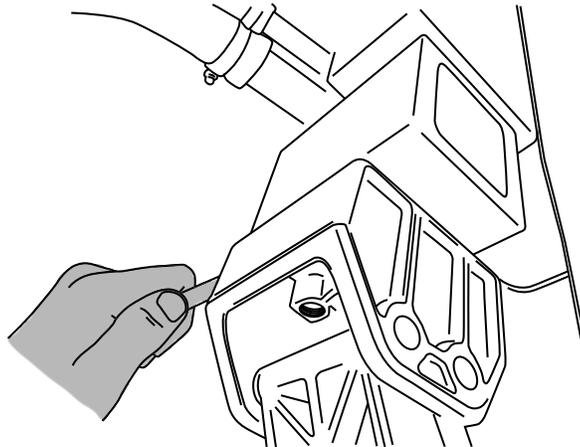


9

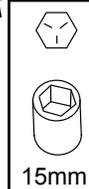


13mm

Use 15mm socket tighten bolts that mount the linkage to the lateral mount. Torque to 20 ft-lbs.

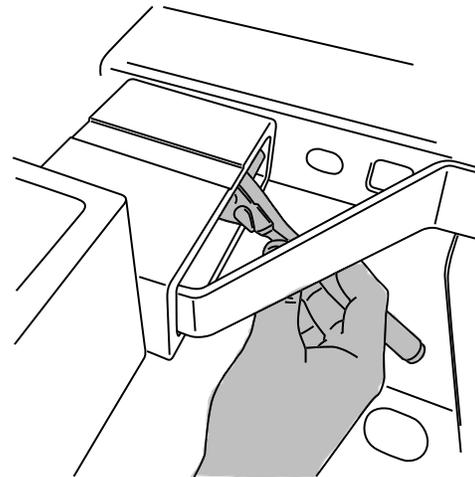


10

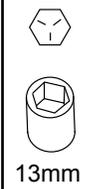


15mm

Using a 13mm socket tighten two bolts holding Frame mount to bed channel. Also tighten bolt that attaches frame bracket to frame mount Torque to 16 ft-lbs.

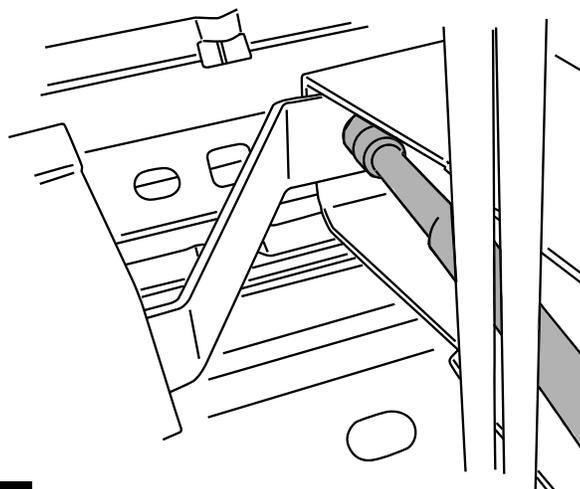


11

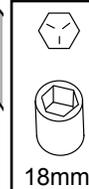


13mm

Using a 18mm Socket torque bolt to 40 ft-lbs.

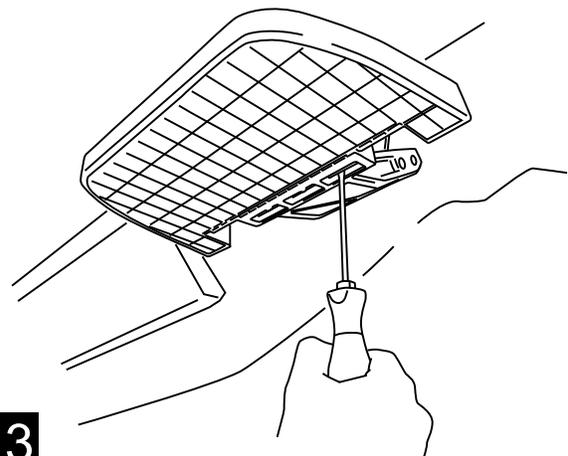


12

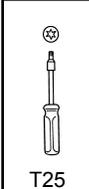


18mm

Locate the step pad in center position. Use T25 Torx driver or bit to tighten screws. Torque to 5 Ft-Lbs.

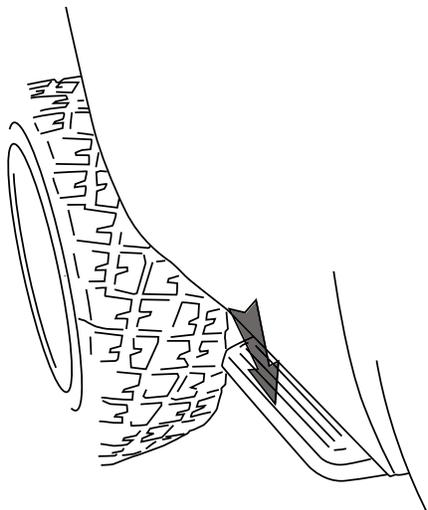


13



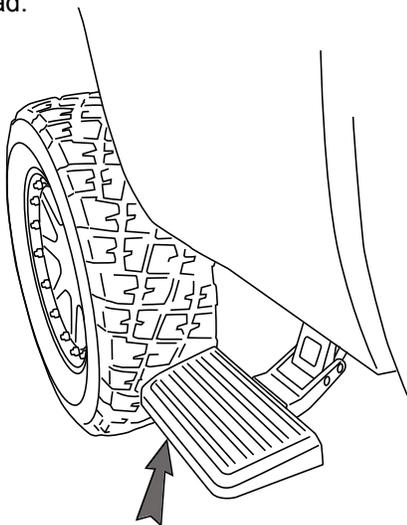
T25

To deploy the step, press down using your foot on the outside edge of the step pad.



14

To retract, gently kick up on the underside of the step pad.



15 Note: If linkage or step pad comes in contact with the body use provided washer. Remove white bumper between linkage arms and insert washer and replace bumper.

DRILL TEMPLATE

