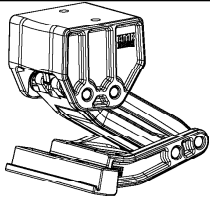


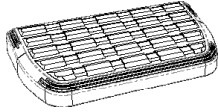


Ford F150
(Fits all Beds /Cabs)
2009-Current

PART NUMBER:
75402-01A



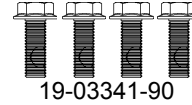
20-03797-10



19-03783-90



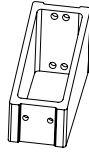
19-03810-90



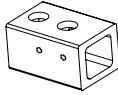
19-03341-90



Torque wrench



15-03801-90



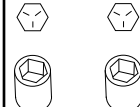
15-03802-90



19-03563-90

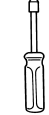


11-03639-90



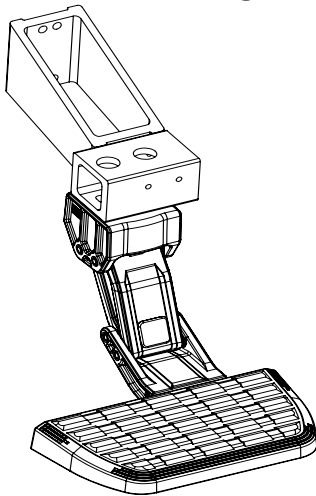
13mm

15mm



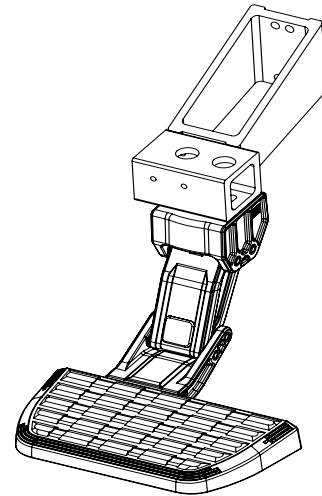
T25 Torx

Brackets must be configured for Passenger or Driver-Side as shown.



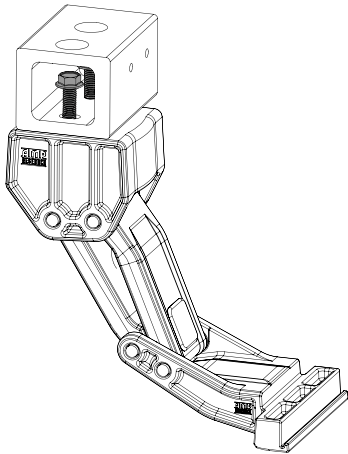
1

Driver-Side Orientation

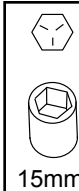


Passenger-Side Orientation

Using a 15mm Socket assemble Lateral mount onto Linkage assembly. Do not tighten bolts yet. Note: Drivers side shown. Mirror for passenger side.



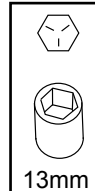
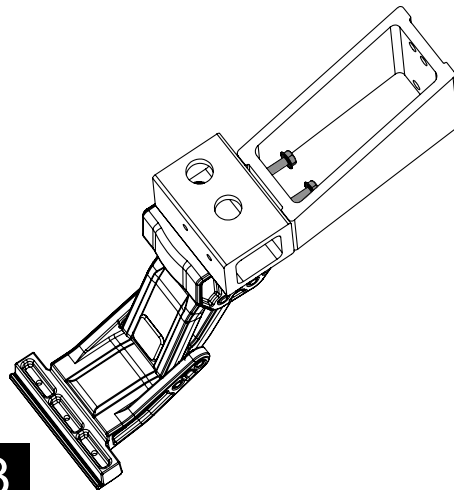
2



15mm

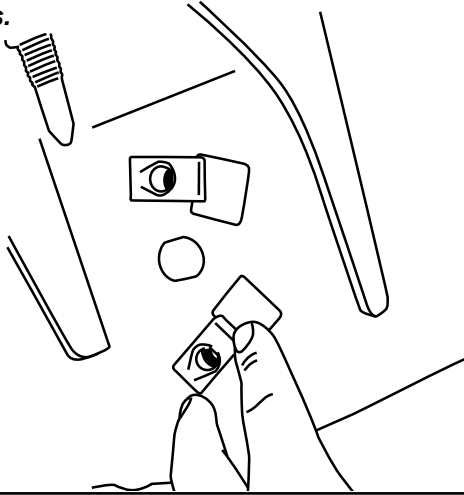
3

Using a 13mm Socket assemble Frame mount onto Lateral mount. Torque bolts to 16 ft-lbs.



13mm

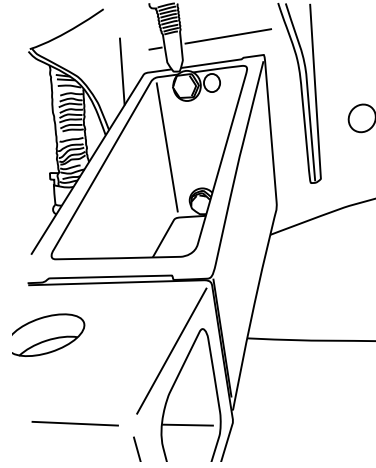
Insert two U clips into cutouts in frame. Multiple cutouts will be present on some models. Use set closest to rear tire. *Note: Image shows Crew Cab short bed. Bed mount may not be present in other applications.*



4

Set linkage in place and tighten bolts using a 15mm socket. Torque bolts to 20 ft-lbs.

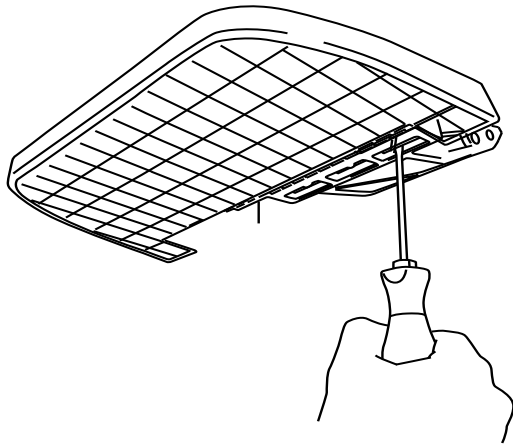
Note: Image shows Crew Cab short bed. Bed mount may not be present in other applications.



5

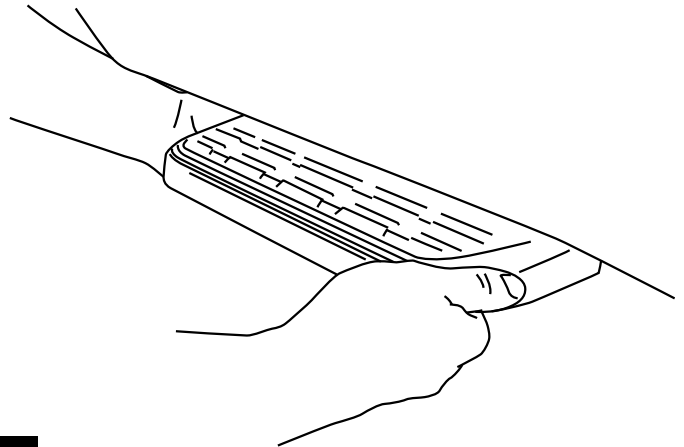
Offset the step pad forward and secure using provided PT Screws. Tighten to 5 ft-lbs using T25 torx bit.

Note: Drivers side shown



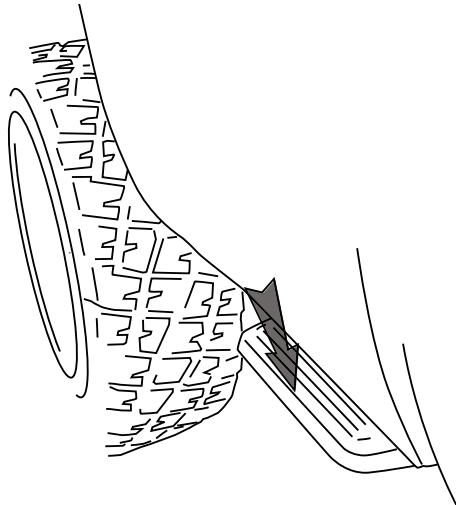
6

Adjust step pad to be in line with fender and torque bolts from Step 2 to 20ft-lbs.



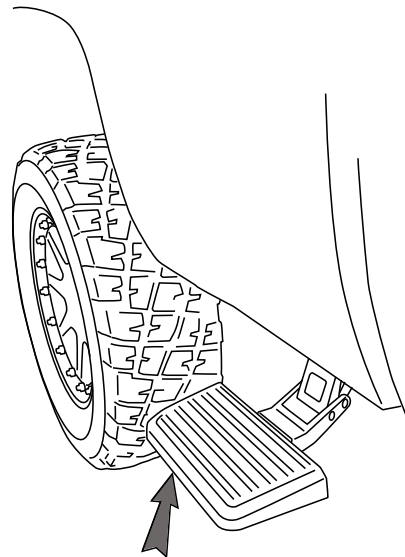
7

To deploy the step, press down using your foot on the outside edge of the step pad.



8

To retract, gently kick up on the underside of the step pad.



9