

INSTALLATION GUIDE

AMP RESEARCH Power Step

MADE IN USA

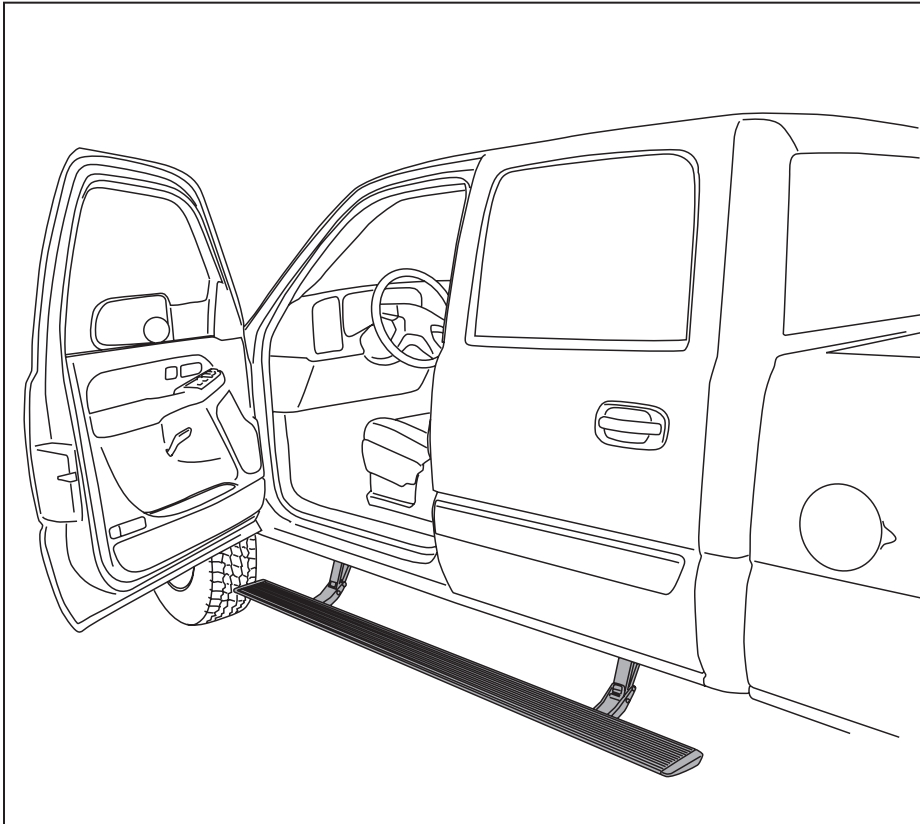
APPLICATION

AMP Part

Chevrolet Silverado / GMC Sierra - Ext. Cab *	2007 - up	75126-01A
Chevrolet Silverado / GMC Sierra - Crew Cab	2007 - up	75126-01A
Chevrolet Silverado / GMC Sierra - Hybrid	2009 - up	75126-01A

(Excludes all 2011-up models with Diesel engine.)

*Modification required to running board assembly. See Item 1 on page 3.



INSTALLATION TIME

3-5 Hours

Professional installation recommended

SKILL LEVEL



4= Experienced

TOOLS REQUIRED

- Safety goggles
- Measuring tape
- Flat blade screwdriver
- Power Drill
- 9/32" drill bit
- 13 mm socket
- 10 mm socket
- Ratchet wrench and extension
- 13mm end wrench
- Wire crimpers
- Wire stripper / cutter
- 3/16" hex key wrench (allen wrench)
- 5mm hex key wrench (allen wrench)
- 4mm hex key wrench (allen wrench)
- Electrical tape
- Weather proof caulking (silicone sealer)
- Silicone spray

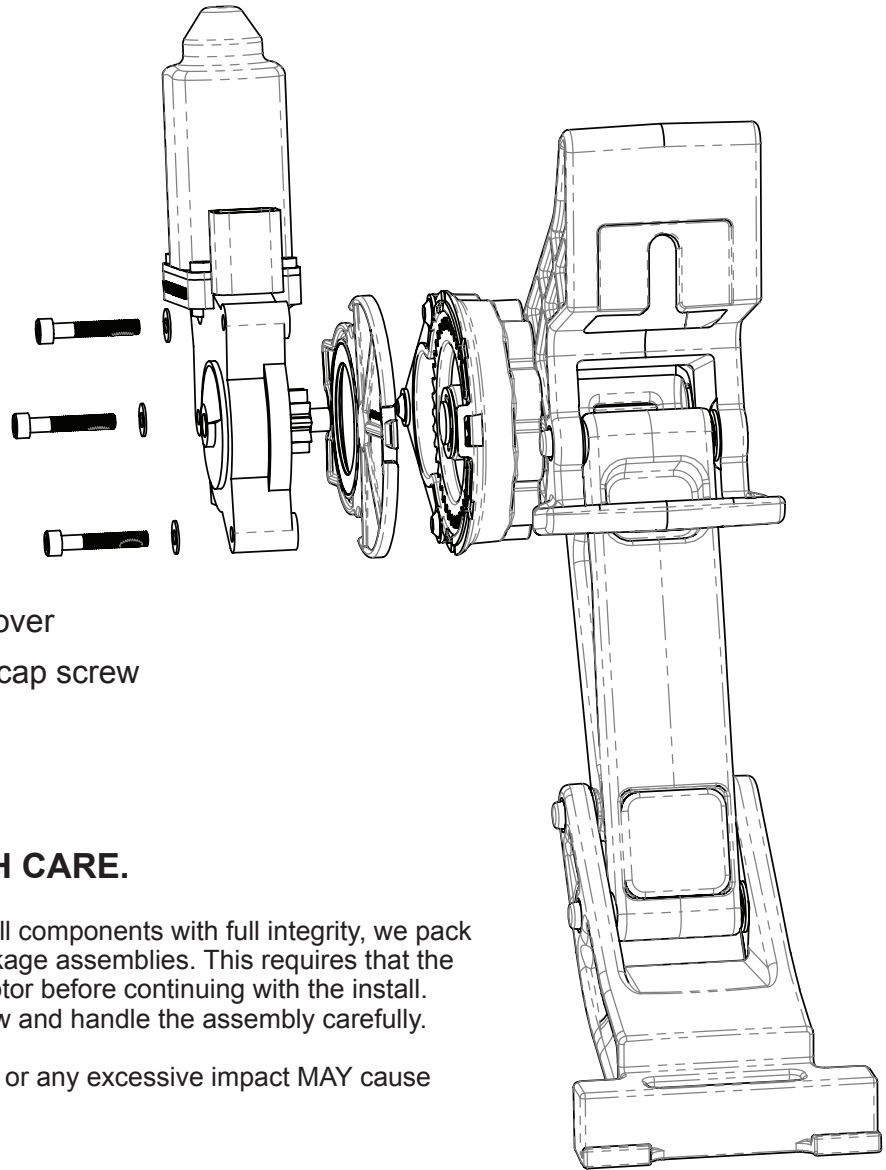
INSTALLATION GUIDE

Attaching motor to Linkage assembly

The motors must be attached to the Linkage assemblies before continuing the installation process.

EXPLODED VIEW

80-03129-90	Motor
19-03138-90	Gear Cover
19-03179-90	Socket cap screw
19-03133-90	Washer



CAUTION: HANDLE WITH CARE.

To ensure our customers receive all components with full integrity, we pack the motors separate from their Linkage assemblies. This requires that the installer position and fasten the motor before continuing with the install. Please follow the instructions below and handle the assembly carefully.

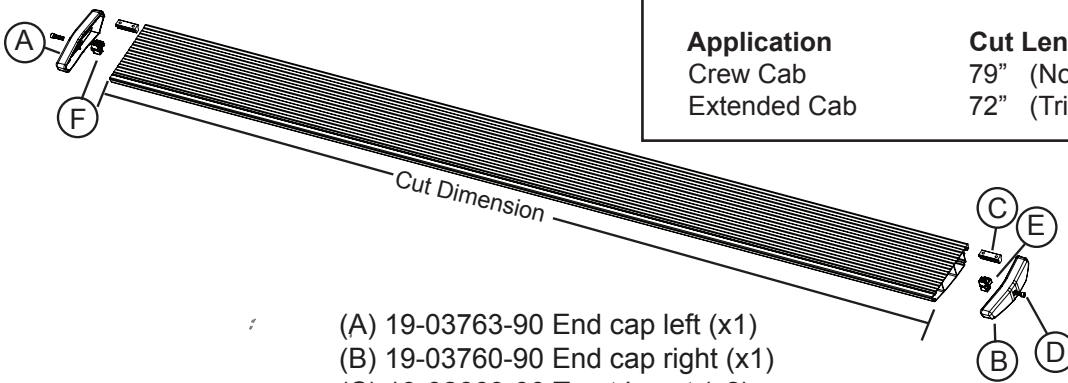
CAUTION: Dropping the assembly or any excessive impact MAY cause damage to the motor.

Instructions:

1. Position the gear cover in place as shown if not already in place.
2. Seat motor into position on the three mounting bosses. This may require an adjustment of the gear by moving the swing arms.
3. After seating into place, fasten the motor with the three motor mount screws with 4mm Hex Head. Tighten screws to 36 in-lbs (4N-m). **Do not over torque.**

AMP RESEARCH POWERSTEP™ – CHEVROLET / GMC

Note: Some Applications require modification.

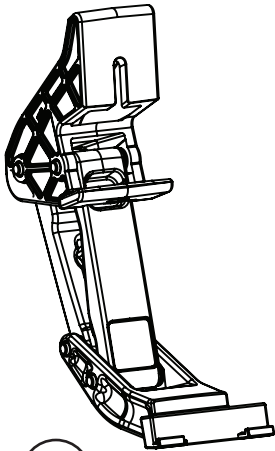


Application	Cut Length
Crew Cab	79" (No Modification Required)
Extended Cab	72" (Trim 7")

- (A) 19-03763-90 End cap left (x1)
- (B) 19-03760-90 End cap right (x1)
- (C) 19-02663-90 T-nut insert (x2)
- (D) 19-02802-90 Socket cap screw (x2)
- (E) 19-03761-90 End cap wedge right (x1)
- (F) 19-03764-90 End cap wedge left (x1)

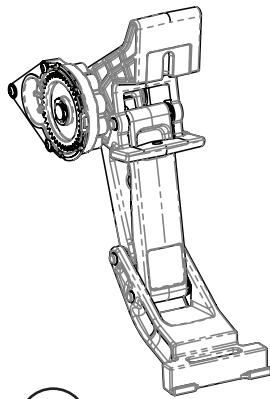
1 x2

Running board assembly



2 x2

10-03418-10
Idler Linkage assembly



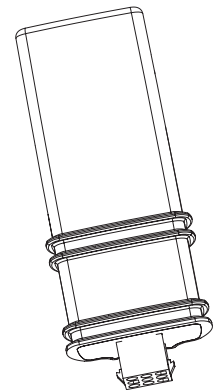
3 x2

10-03417-11
Motor Linkage assembly



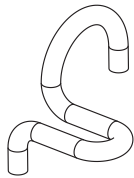
4

19-03768-90L
Wire harness



5

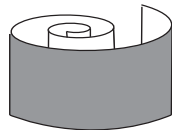
19-03297-A06
Controller



USED ON SILVERADO
AND SIERRA
HEAVY DUTY ONLY.

6a

16-03079-90
Cable Bracket



6b

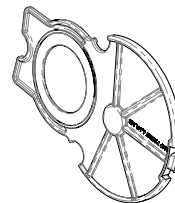
19-03403-90
Rubber



USED ON SILVERADO
AND SIERRA
HEAVY DUTY ONLY.

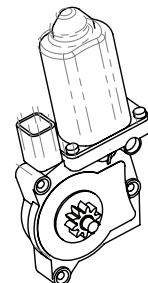
7

19-03088-90
Brake Cable Ring



8 x2

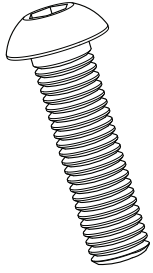
19-03138-90
Gear Cover



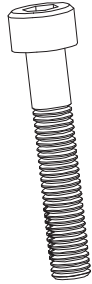
9 x2

19-03129-11
Brose Motor

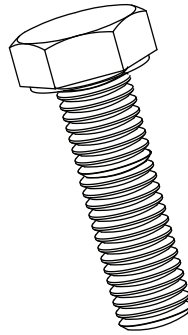
AMP RESEARCH POWERSTEP™ – CHEVROLET / GMC



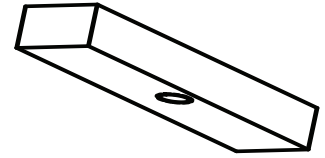
10 x4
16-02846-90
Socket Cap Screw



11 x6
19-03179-90
M5 Socket Cap Screw



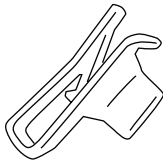
12 x5
19-03326-90
Hex Bolt



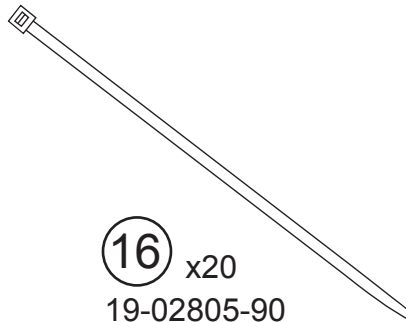
13 x4
17-03500-90
Threaded clamping plate



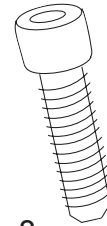
14 x6
19-03133-90
M5 Washer



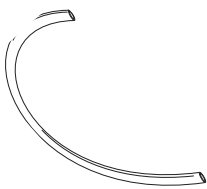
15 x4
19-03467-90
U-nut



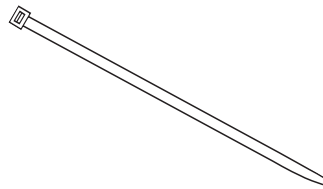
16 x20
19-02805-90
Cable tie (7")



17 x8
19-02802-90
Socket Cap Screw



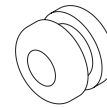
18
19-02992-90
Tubing (Installation Tool)



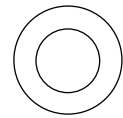
19 x2
19-03339-90
Cable tie (11")



20 x4
19-03354-90
Posi-Tap™



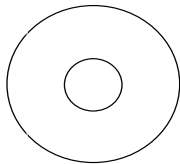
21
19-02640-90
Grommet



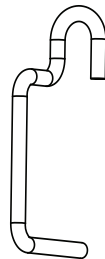
22 x4
16-03014-90
Washer



23
10-00115-60
Nylock Nut



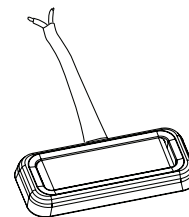
24 x2
19-02389-90
Washer



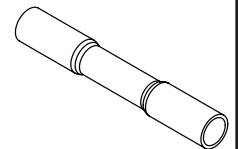
25
16-03515-90
Cable Bracket



26
15-03671-90
Spacer



27 x4
19-03302-90
LED Lamp



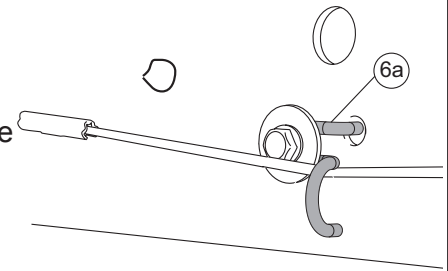
28 x8
19-03911-90
Butt Connector

Steps 2-3 for **2007-2010 HD 2500 and 3500 only!** For all other vehicles skip to Step 4.

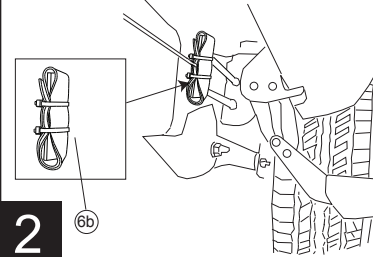
Short Bed: Step 2 only

Long Bed: Steps 2 and 3.

Remove forward most parking brake cable guide and replace with new guide (6). Note: Factory bracket will need to be bent or cut to remove from cable.



On some models that do not utilize this guide rubber tape is included. Wrap tape around bracket.



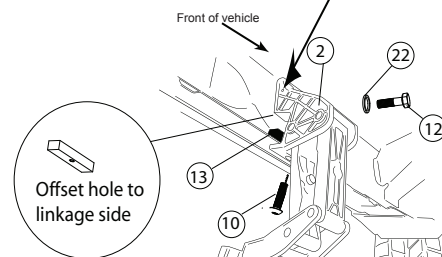
1

2

Install driver side **Idler Linkage** in first sheetmetal tab / hole from front.

Install U-nut (15) for bolt (12) to attach to body

Note: U-nut may not be needed on some 2011-current HD models.

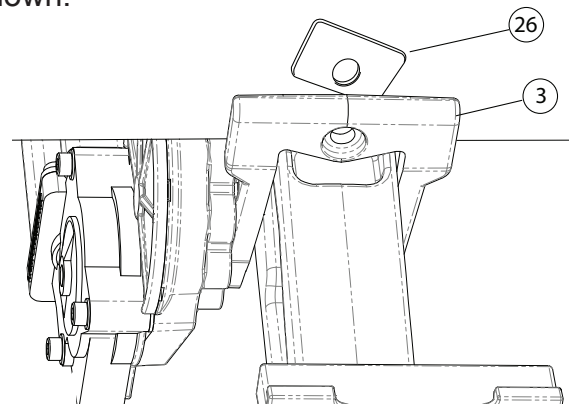


Install threaded clamping plate (13) on top of pinch weld and thread fastener (10) into clamping plate and finger tighten. Install fastener (12), finger tighten only. Next tighten fastener (10) to 16 ft-lbs. (22N m). Next torque fastener (12) to 16 ft-lbs. (22N m)

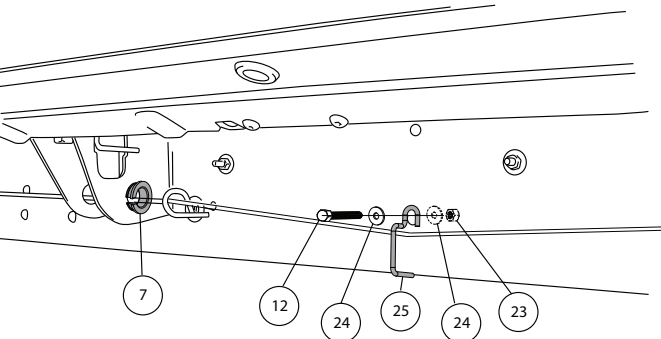
4

Extended Cab Trucks ONLY

Install passenger side **Motor Linkage**
Position spacer (26) between body pinch weld and linkage mounting flange (3) as shown.



6

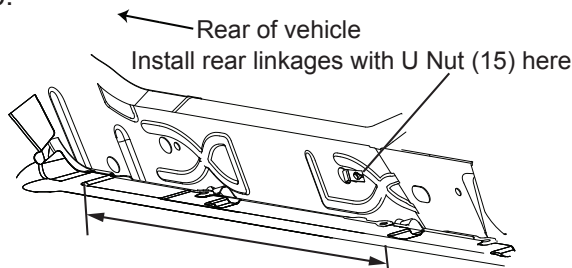


Install nut and washer on back side of frame rail

Install plastic brake cable guide (7) in rear of middle body mount. Install new parking brake cable guide (25) in existing frame hole as shown.

3

Install driver side **Motor Linkage** in fourth sheetmetal tab / hole from front. Linkage will then clear parking brake cable. Crew Cab: repeat linkage installation on passenger side. Extended Cab: go to step 6.

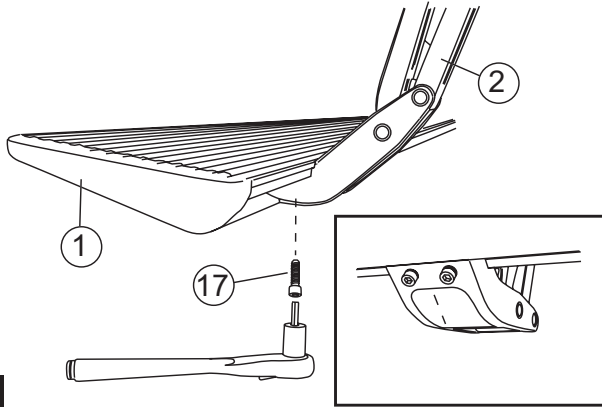


Crew Cab- Approx 26 $\frac{1}{4}$ " from back of cab
Extended Cab- Approx 11" from back of cab

5

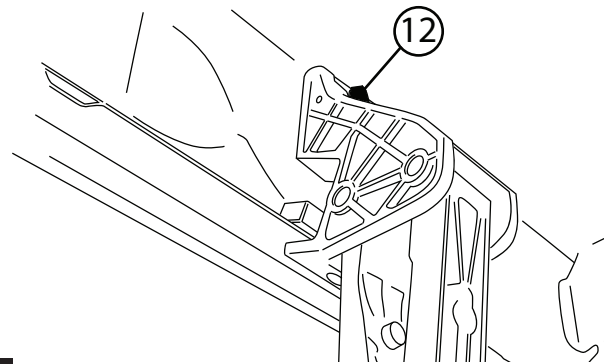
Repeat linkage installation on passenger side.

Slide mounting T-nut into position, aligning the end of the board with the rear edge of the back door. Mount board and tighten fasteners to 10 ft-lbs. Insure linkages are squared to body prior to torquing fasteners.



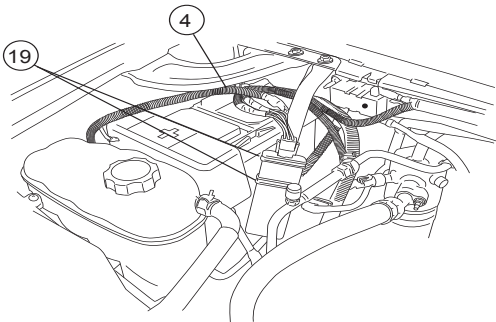
7

Tighten fastener (12) from from step 4 to 16 ft-lbs. (22 N m).



8

Using the two 11" cable ties, mount controller to support arm next to battery. (Behind support arm on diesel engine) **On Hybrid models: Mount controller on drivers side of engine compartment.**

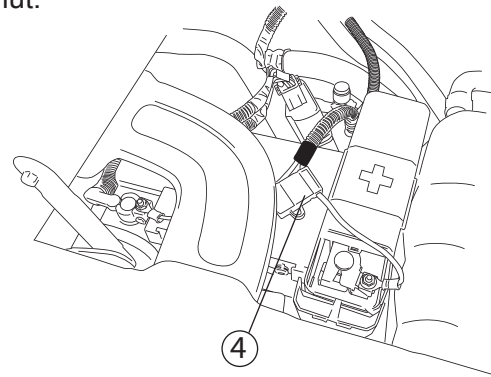


Plug in wire harness.
(Ensure that locking tabs engage.)

9

Remove power fuse. Attach power lead (RED wire) to positive pole on the battery.

CAUTION: Do not ground wrench when engaged with nut.

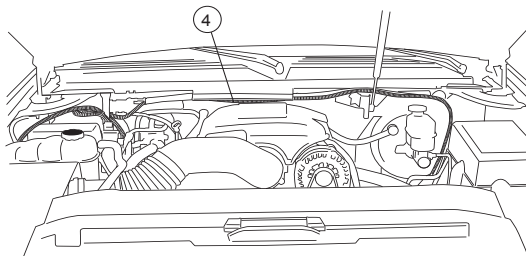


Attach ground lead to negative battery pole.

10

GAS ENGINE WIRE ROUTING

Route long end of wire harness above engine and down through drivers side wheel well. Zip tie harness to cowlings clips on fire wall. Route short end down passengers side. **On Hybrid models: Long end of wires will be routed down through passenger side wheel well and short end down drivers side.**

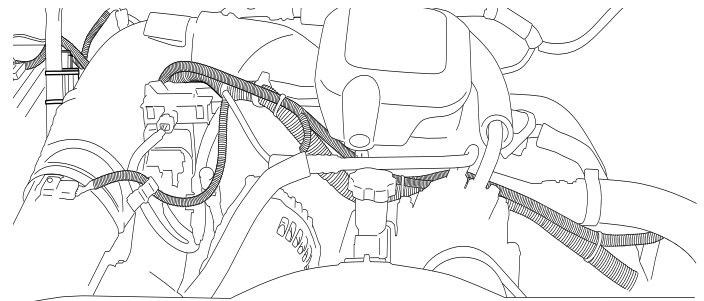


Secure with zip ties.

11

DIESEL ENGINE WIRE ROUTING

Route long end of wire harness under intake and along factory engine harness to driver side wheel well. Route short end down passengers side.

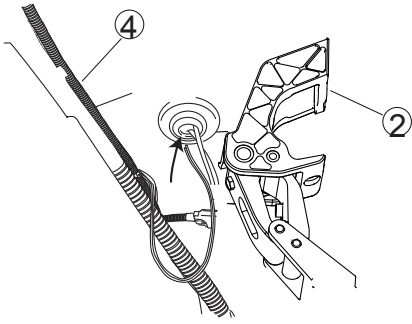


Secure with zip ties.

12

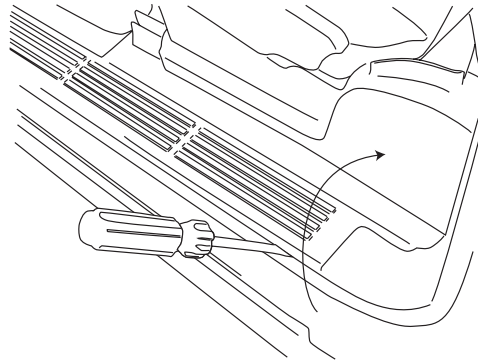
IMPORTANT: Steps 16 and 17 are for Crew Cab trucks only.
(Light Blue and Green wires are only used with Crew Cab trucks.)

Route wire harness along the frame and back towards rear linkage. Secure with zip ties. Poke hole through rubber grommet near front door on underside of floor panel with small phillips screwdriver. Push both wires through hole. (See Step 14 for passenger side notes.)



13

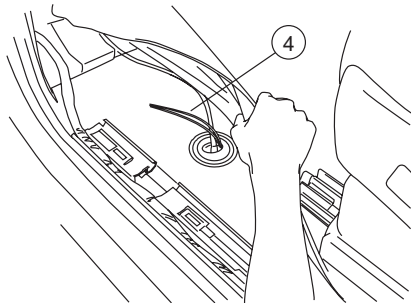
Pop off the threshold cover with screwdriver and remove the kick panel. Repeat step on passenger side.



14

Pull up the carpet and thread both wires through the floor panel (same steps on passenger side EXCEPT drill 9/32" hole in metal and add rubber grommet).

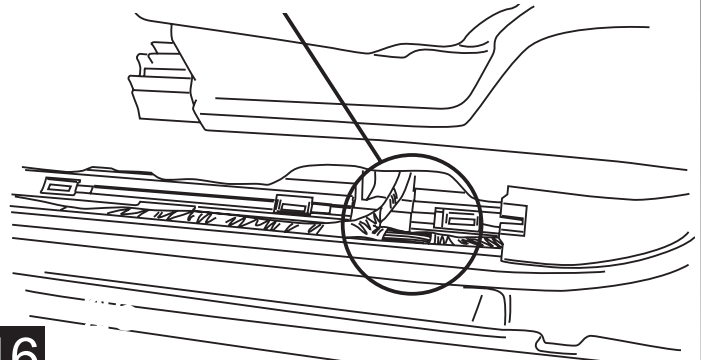
For all vehicles except Crew Cabs skip to step 18.



Seal holes with silicone glue and cover with tape so carpet does not stick to glue.

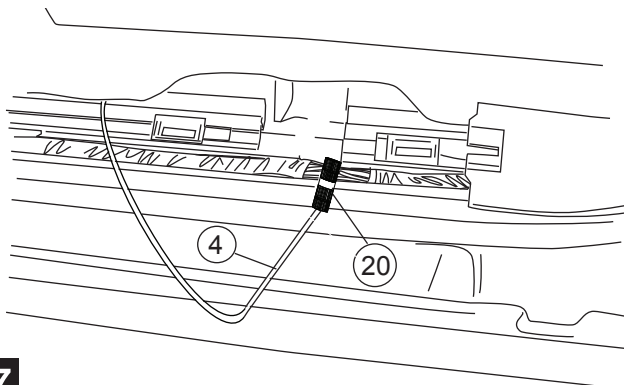
15

Crew Cab Only - Carefully remove wire wrap and find LIGHT BLUE wire with BLACK STRIPE. On passenger side find GREEN wire with BLACK STRIPE. The wire is located rear of the "T" junction where wires cross under the front seat.



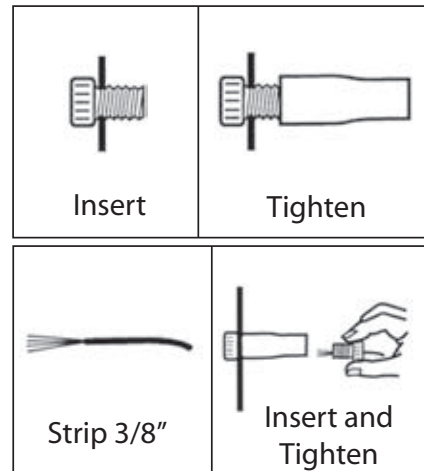
16

Crew Cab Only. Using supplied Posi-Tap™ connector, splice shorter trigger wire into wire found in Step 16. Otherwise tape off short wire.



17

Posi-Tap™ instructions

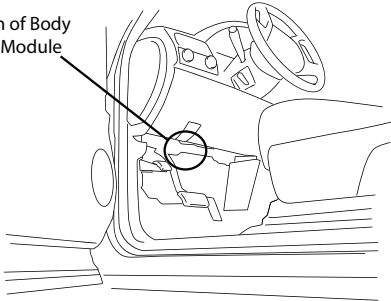


18

AMP RESEARCH POWERSTEP™ – CHEVROLET / GMC

For model years 2007-2010 locate and inspect the Body Control Module above the brake pedal under the dashboard. The BCM is the only module with a pink connector. Check to see if the front door ajar signal wires are present in the pink connector: Grey/Black, Tan/White. If you do not see these wires the front door panels must be removed.

Location of Body Control Module

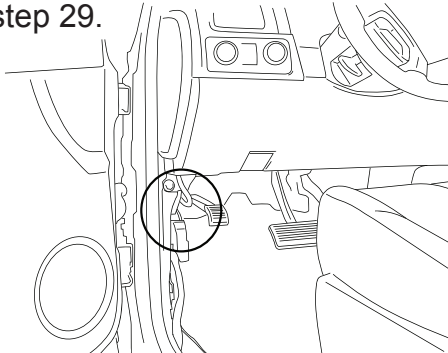


19

20

Vehicles that do not have the front door ajar signal wires in the pink connector of the BCM must have the front door panels removed in order to access the front door ajar signal wires. **For these and all Hybrid models Go to step 22.**

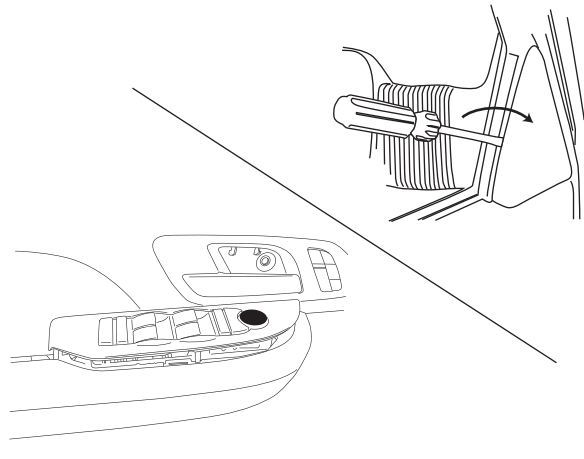
Remove driver side kick panel and open the loom wrapped in grey or black tape to access the Grey / Black stripe wire. In the passenger side kick panel the loom wrapped in green or black tape will have a Tan / White stripe wire. Connect Power Step Grey / Black and Tan / White wires to like colored factory wires. Go to step 29.



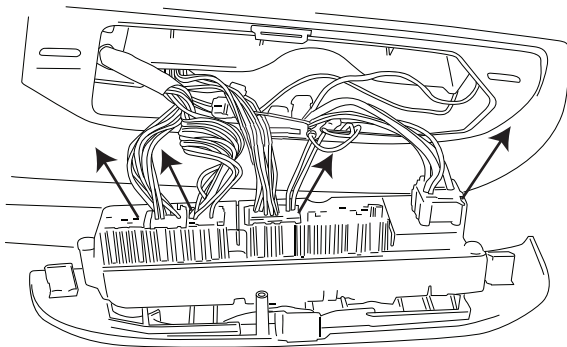
21

22

Remove plastic trim on door near mirror attachment. Then carefully pry up window/ door lock switch plate.

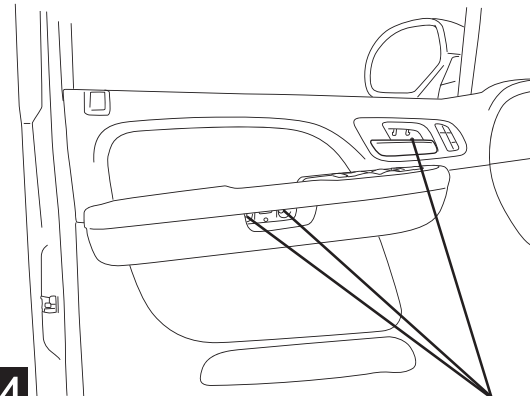


Remove all plugs from switchplate



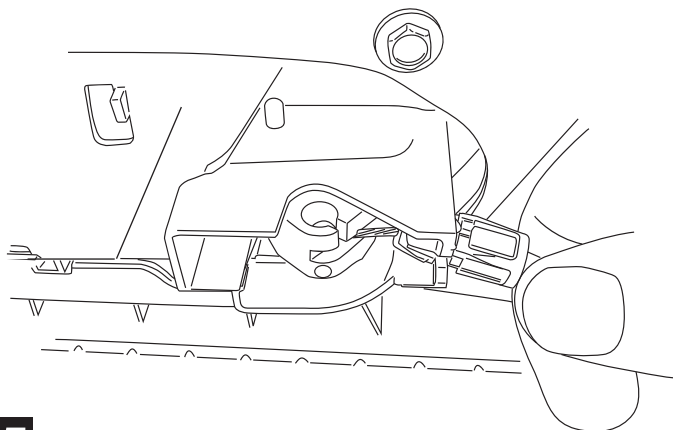
23

To remove door panel, first pry back tab on door lock to remove then pry off plastic covers by handle and door latch. Remove the 3 door bolts and then remove door panel by prying loose all panel fasteners.



24

Remove door latch cable from door panel.



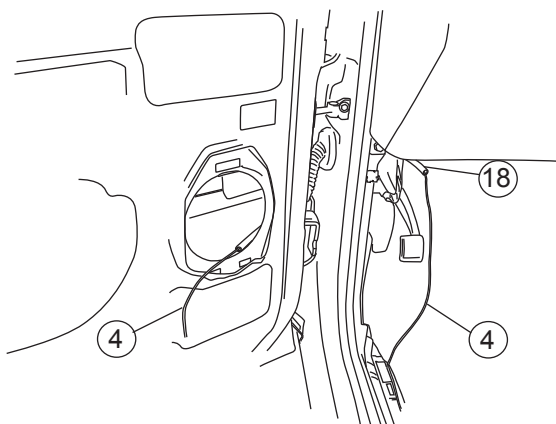
25

Pull back the door weather guard, unbolt speaker and unplug. Thread plastic tube through accordion.



26

Feed longer wire of Step 15 through tube into door and pull out plastic tube on door side. Route wire along harness to switchplate.



27

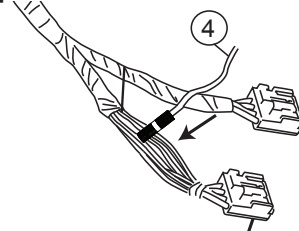
For 2007-2009 Models:

Locate the brown plug in doors and using supplied Posi-Tap™ connector, splice into trigger wire.

Drivers side: Grey / Black wire

Passengers side: Tan / White wire

Note: On Hybrid models trigger wire colors will not match up because wire harness is flipped.



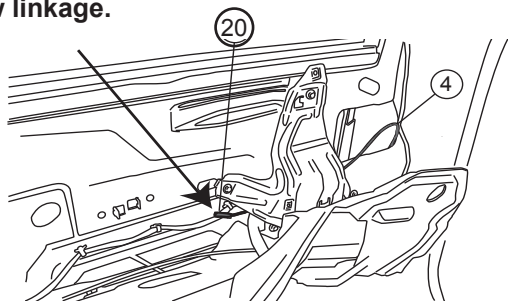
Brown plug

28

Reassemble door and replace plugs. Plugs must be replaced for Power Step to operate.

For 2010-Current models:

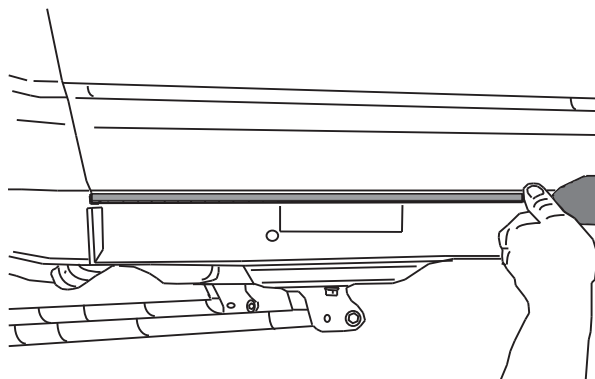
Locate loom that runs across the top of the door panel. Carefully remove wire wrap and locate the following wires on either side. **Drivers side:** Grey / Black wire **Passenger side:** Tan / White wire **Caution:** Zip tie trigger wires to avoid being hung up in window linkage.



29

Note: On Hybrid models trigger wire colors will not match up because wire harness is flipped.

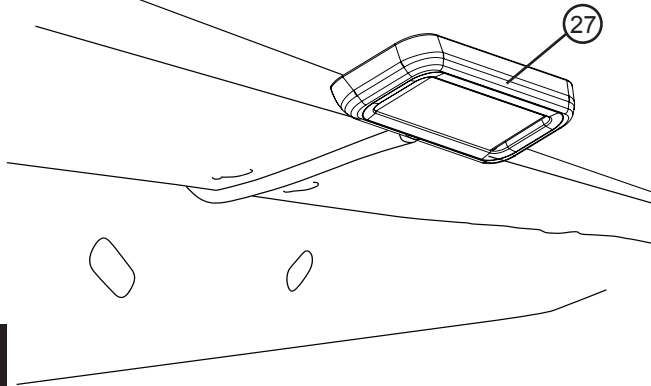
On each side of the vehicle measure from the front edge of door line on the pinch weld to the specified lengths below. Measure at 22" for front LED Light and 65" for rear LED Light.



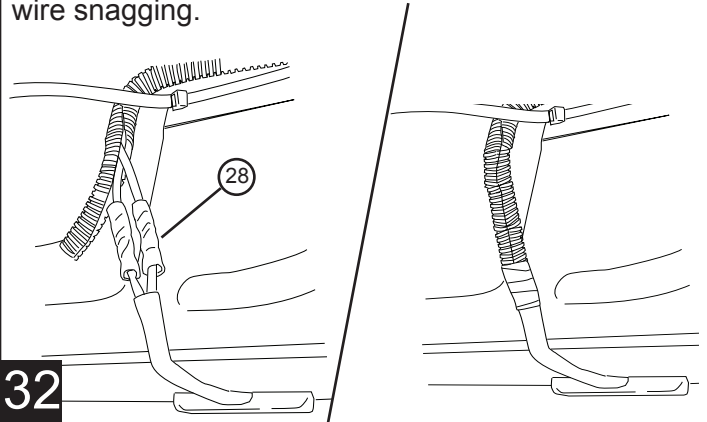
30

AMP RESEARCH POWERSTEP™ – CHEVROLET / GMC

Affix lamp to rocker panel surface. Make sure the lamp is affixed to a clean, flat surface. There is a step down midway across the surface. Affix lamp just outside of step down.



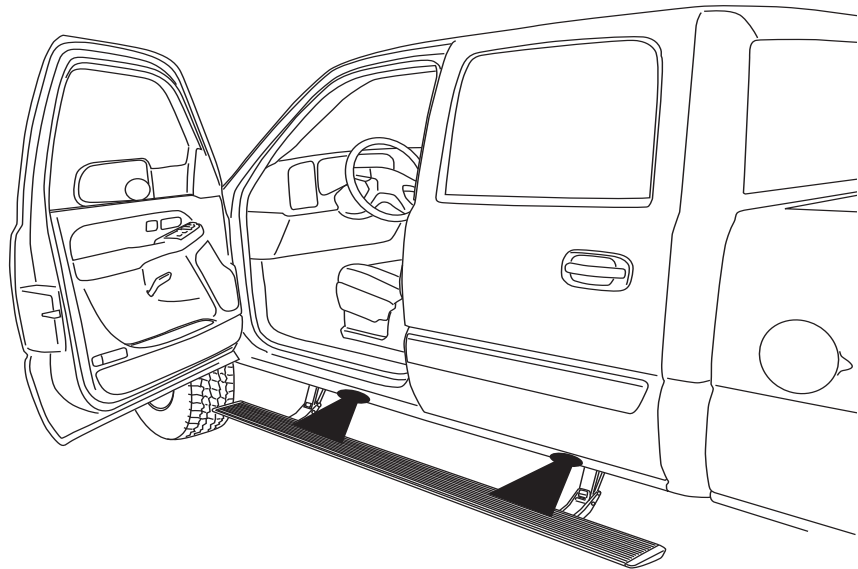
Using supplied butt connectors, connect the lamp wires. Red to Red, Black to Black. Close and wrap conduit with electrical tape. Secure all loose wires with cable ties. Pull lamp wires upward to avoid any wire snagging.



31

32

Reinstall fuse. Check that all doors activate the Power Step and the LED Lights work when doors open and close. Reinstall any remaining trim panels.



FINAL SYSTEM CHECK

Check that all doors activate the PowerStep and the LED lights work when doors open and close.

NORMAL OPERATION: When the doors open, PowerStep automatically deploys from under the vehicle.

When the doors are closed, PowerStep will automatically return to the stowed/retracted position. **Note that there is a 2-second delay before the PowerStep returns to the stowed/retracted position.**

CORRECT OPERATION OF LIGHTS: All four lamps will illuminate upon opening any door of vehicle. Lamps will stay on until restowing of both Power Steps or until 5 minutes has expired with the doors open. When the lights timeout after 5 minutes, they can be reilluminated by closing and opening any door of vehicle.

33