

INSTALLATION GUIDE

AMP RESEARCH Power Step

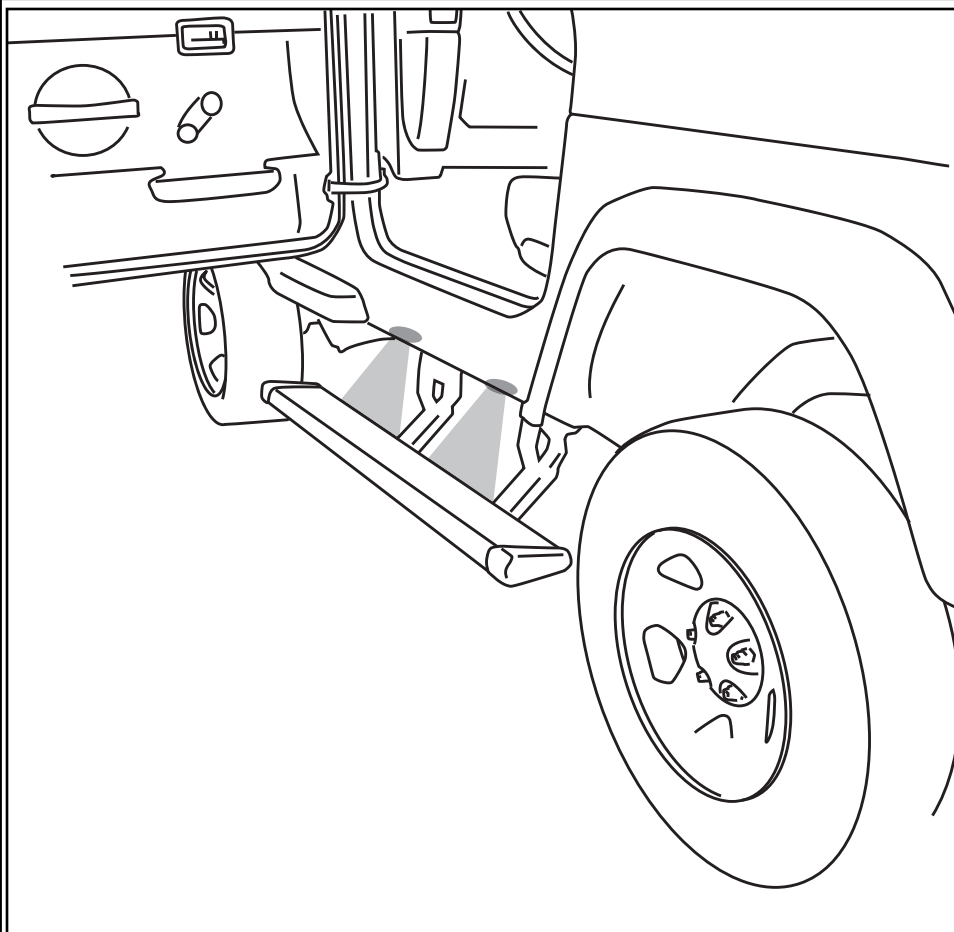
MADE IN USA

APPLICATION

Jeep Wrangler Unlimited (JK) 2007–up
2-Door

AMP Part

75121-01A



INSTALLATION TIME

3-5 Hours

Professional installation recommended

SKILL LEVEL



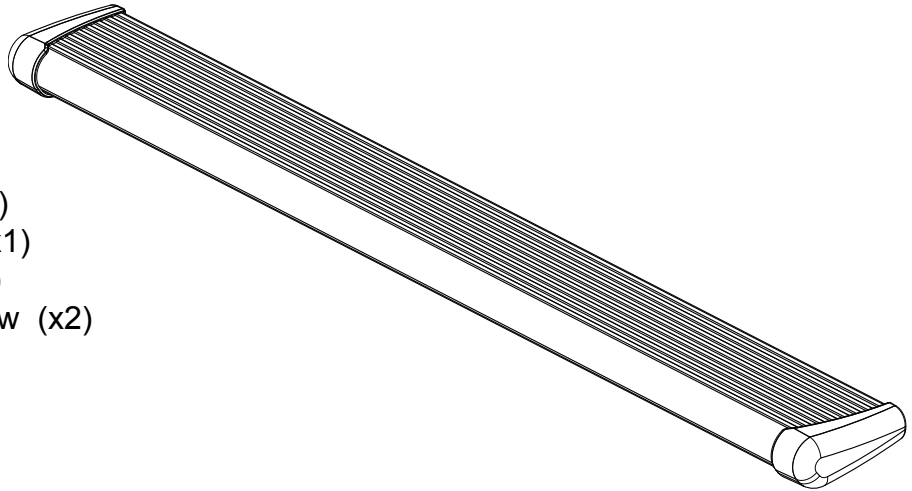
4= Experienced

TOOLS REQUIRED

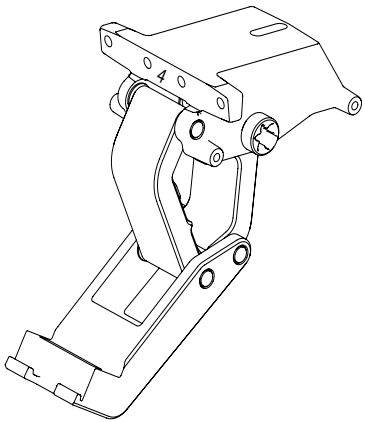
- 13 mm socket
- 13 mm end wrench
- Ratchet wrench and extension
- Wire crimpers
- Wire stripper/cutter
- 3/16" hex key wrench (allen wrench)
- 4 mm hex key wrench (allen wrench)
- 5 mm hex key wrench (allen wrench)

PARTS LIST AND HARDWARE IDENTIFICATION

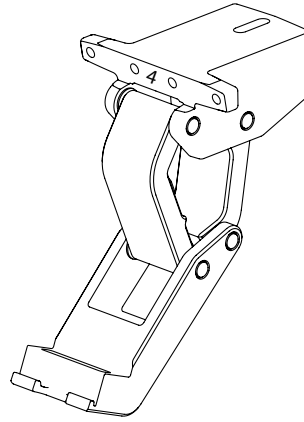
19-03199-11 End cap left (x1)
19-03199-12 End cap right (x1)
19-02663-90 T-nut insert (x2)
19-03236-90 Socket cap screw (x2)
19-03237-90 Nut plate (x2)



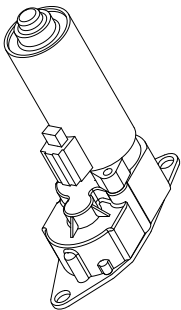
1 x2 20-03318-48
Step assembly



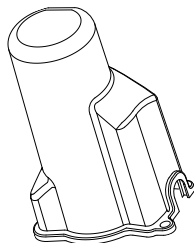
2 x2
10-03606-20 Driver (2 door)
10-03606-21 Passenger (2 door)
Motor Linkage



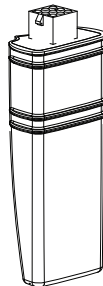
3 x2
10-03610-20 (2 door)
Idler Linkage



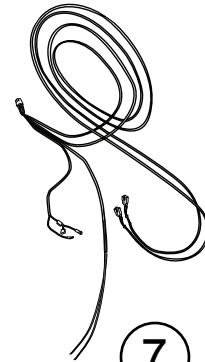
4 x2
20-03289-94
Motor



5 x2
19-03238-90
Motor Cover



6
19-03297-A06
Controller



7
19-03717-90L
Wire Harness

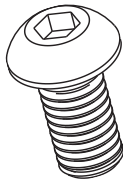
**PARTS LIST AND
HARDWARE
IDENTIFICATION**



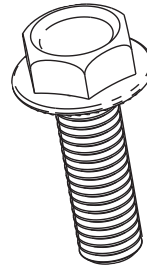
8 x4
19-03467-90
U nut



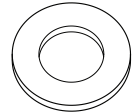
9 x8
19-02802-90
Socket Cap



10 x8
16-02634-90
Button Head Bolt



11 x4
19-02740-90
Hex Flange Bolt



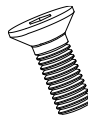
12 x8
16-03014-90
Washer Black



13 x4
19-03354-90
Posi-Taps™ (Red/Grey)



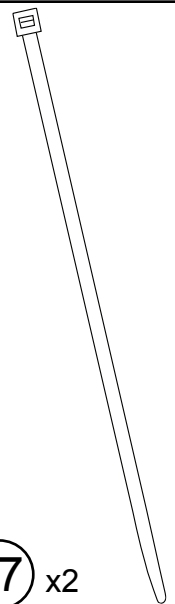
14 x6
19-02721-90
Cinch Fastener



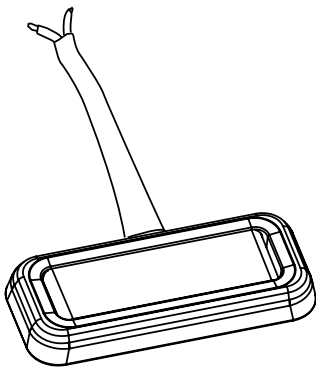
15 x4
19-03352 -90
Flat Head
Cap Screw



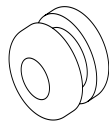
16 x20
19-02805-90
Cable Tie 6"



17 x2
19-03339-90
Cable Tie 11"



18 x4
19-03302-90
LED Lamp

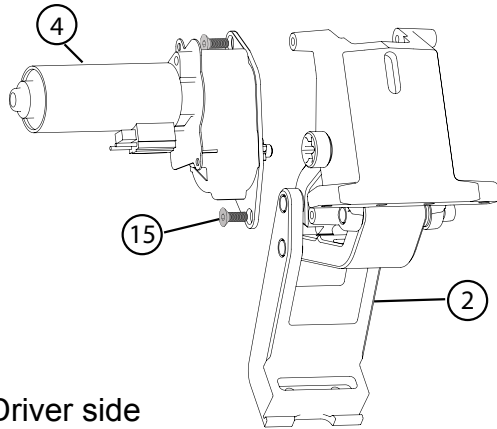


19 x4
19-02640-90
Grommet

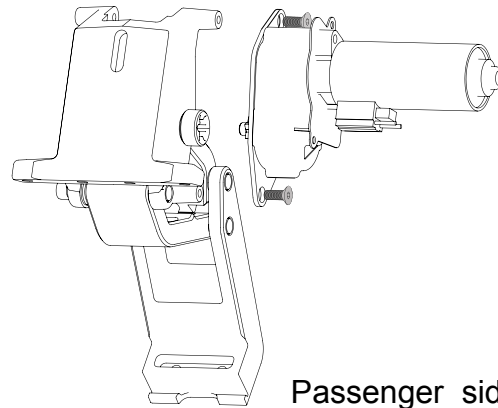


20 x8
19-02989-90
Butt Connector

Slide motor assembly onto drive shaft and mounting bosses of driving linkage assembly. Use flathead socket head cap screws (16) and tighten to 8 ft-lbs / 11Nm. **Motor faces to front of vehicle**

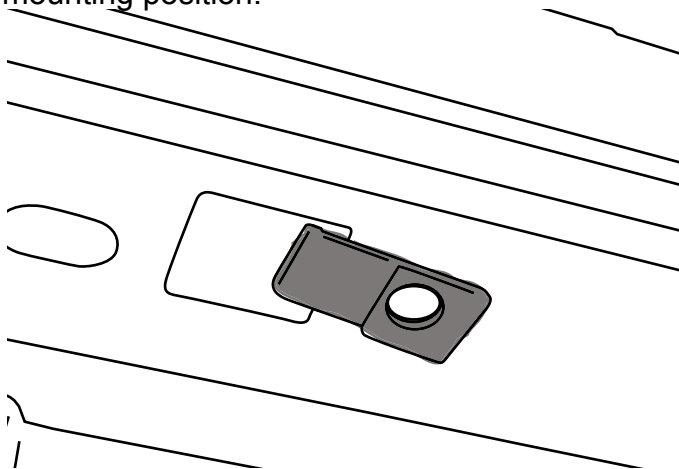


1 Driver side Motor Linkage



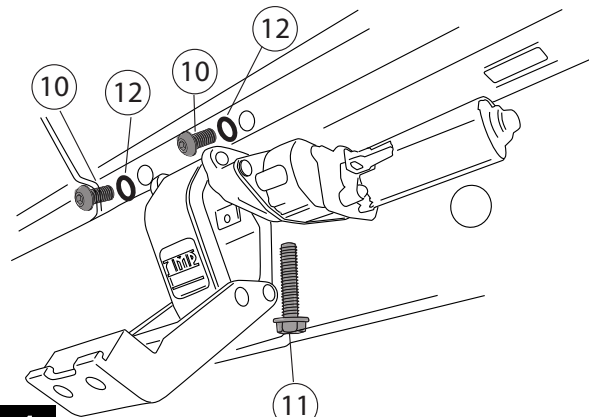
2 Passenger side Motor Linkage

Insert U nut into position for rear Drive Linkage mounting position.



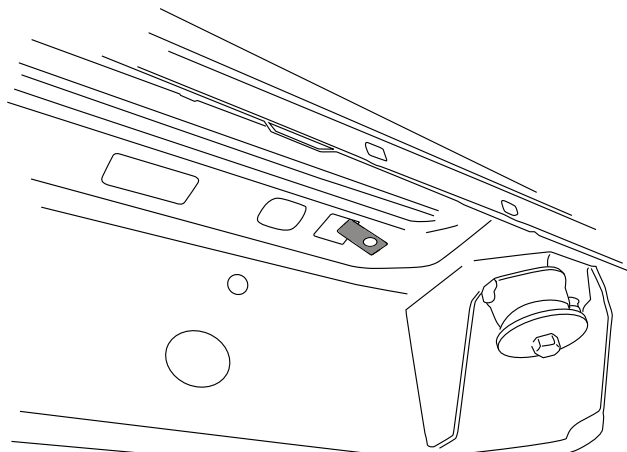
3 Front of vehicle passenger side →

Install Rear Drive Linkage assembly. Use button head bolts with washers and Hex flange bolt Torque to 16 ft-lbs. (22N m)



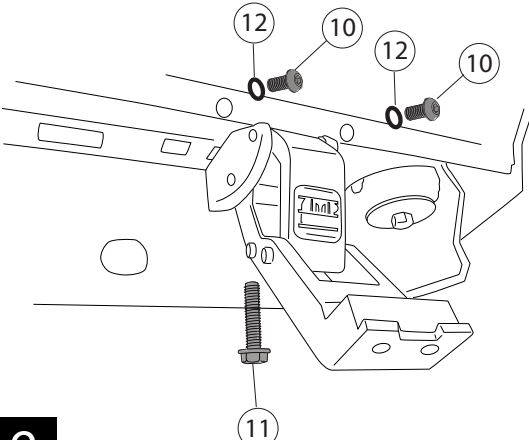
4 Front of vehicle passenger side →

Insert U nut into position for front Idler Linkage mounting position.



5 Front of vehicle passenger side →

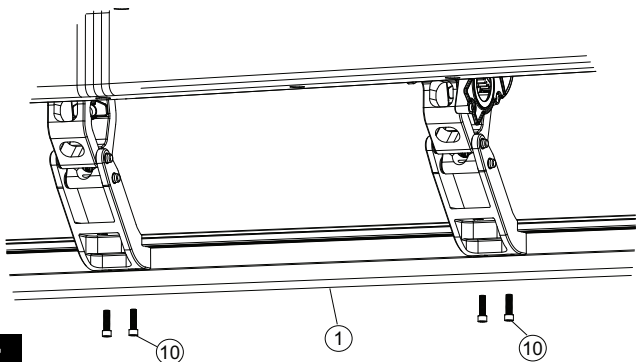
Install Front Idler Linkage assembly. Use button head bolts with washers and Hex flange bolt Torque to 16 ft-lbs. (22N m)



6 Repeat linkage installation on driver side

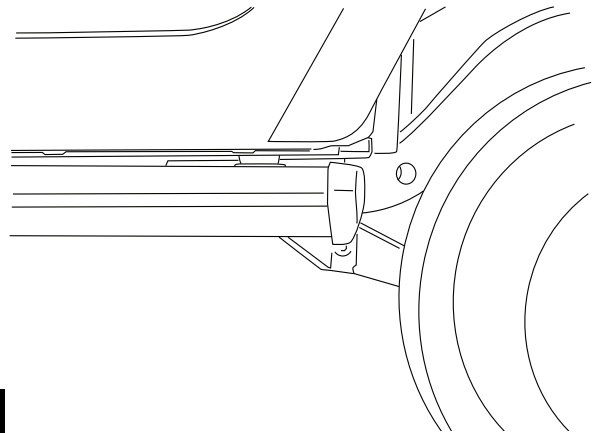
AMP RESEARCH POWER STEP – JEEP WRANGLER (JK)

Mount step extrusion to linkage assemblies. Line up t-nuts in step assembly with slots in lower mounts of linkage assemblies. Fasten loosely to allow for adjustments.



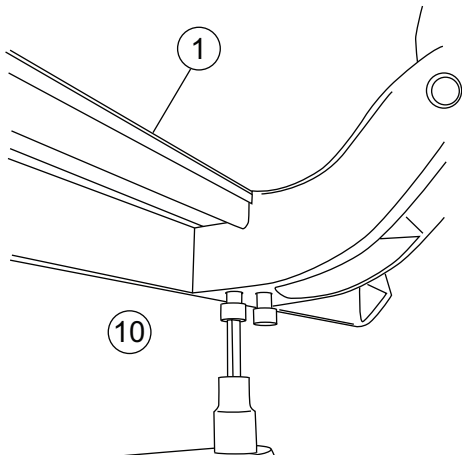
7

Line up rear of step extrusion with rear fender well.



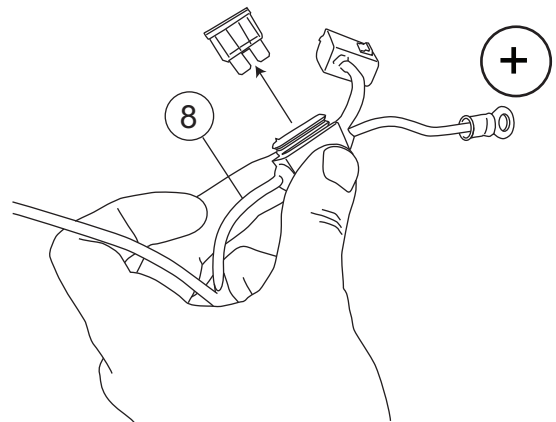
8

Tighten 4 socket cap screws with 3/16" allen wrenr Torque to 10 ft-lbs. (13.5 N-m)



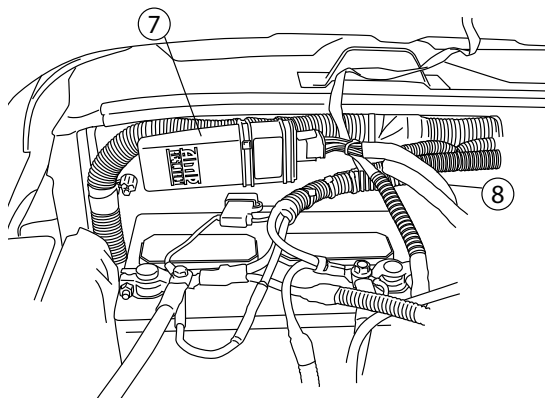
9

Remove fuse from Power Step wire harness.



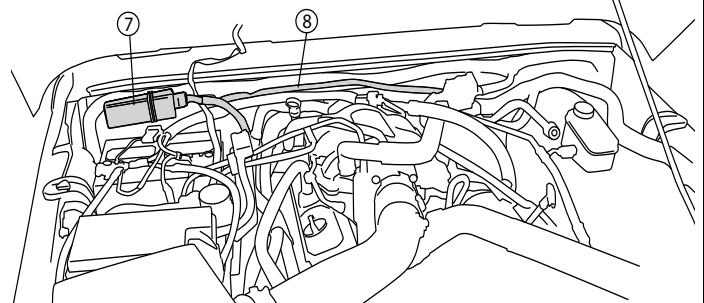
10

Install controller on passenger side at firewall. Secure with 11" cable ties. Connect Red wire to positive battery terminal and Black wire to negative battery terminal.



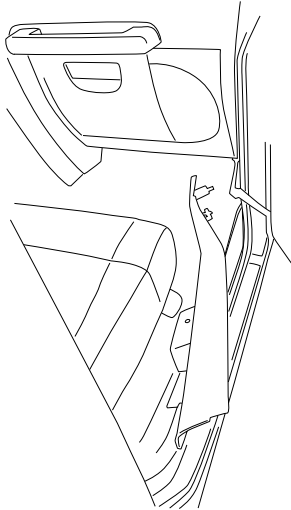
11

Route longest leg of wire harness across fire wall to driver side and under vehicle outside of frame rail. Route shortest leg of wire harness down fire wall and outside of frame rail on passenger side.

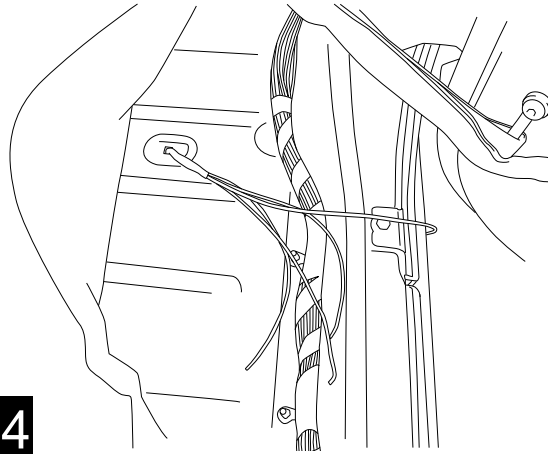


12

Remove passenger side front door sill.

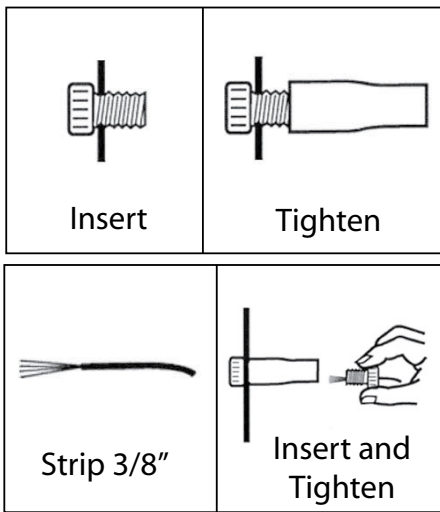


Lift carpet. Slit rubber grommet and pass trigger wires through grommet in floor into passenger compartment.

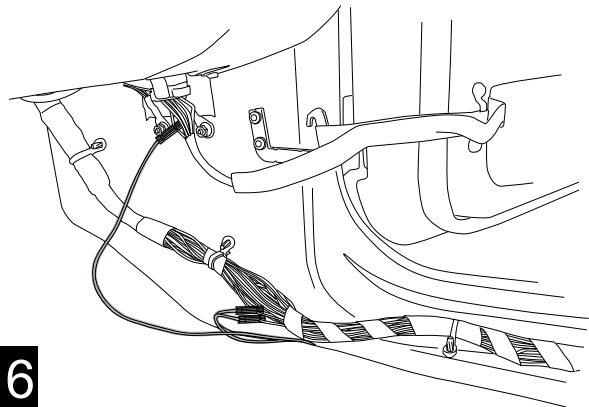


14

Posi-Tap™ instructions

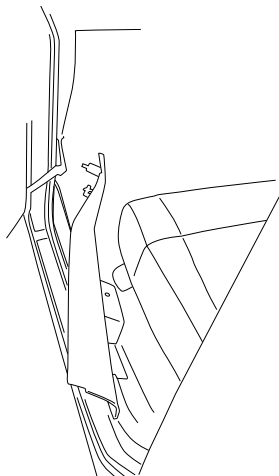


Use Posi-Tap connectors to connect Power Step trigger wires to like colored wires in the factory system as shown: Violet/White wire in loom coming from front door, Violet/Yellow and Violet/Grey are not used tape off ends. **Note: For door removal attach posi tap on chassis side of door harness.**

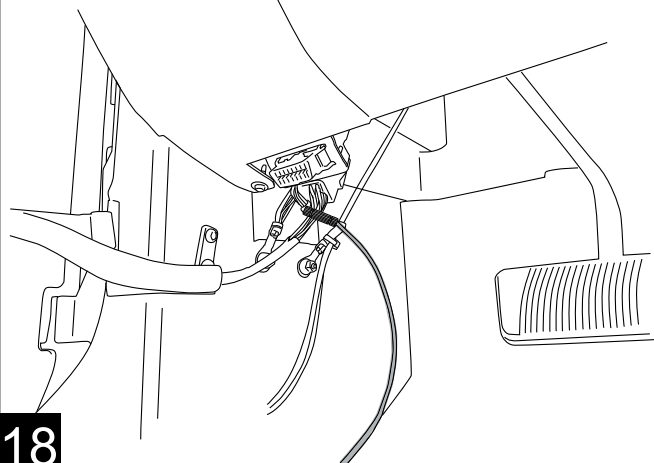


16

Remove driver side door sill and pull up carpet.



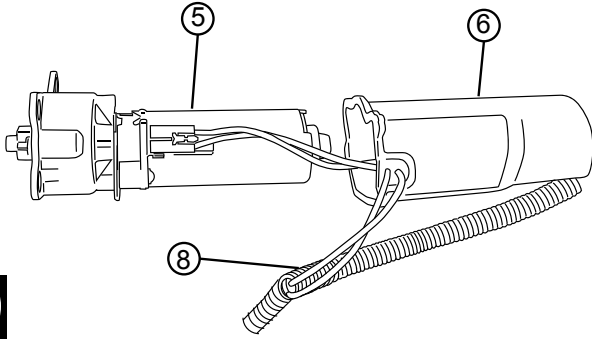
Route Violet wire under carpet to driver side door sill and connect to violet wire coming from door as shown. **Note: For door removal attach posi tap on chassis side of door harness.**



18

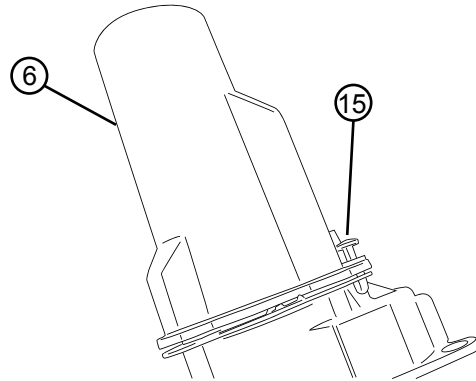
17

Insert plug from wire harness onto motor. Slide rubber grommet on wire harness into slot of motor cover. Insert motor cover onto motor. Slide motor assembly onto drive shaft and mounting bosses of driving linkage assembly. Use electrical tape to cover any exposed wire from the motor.



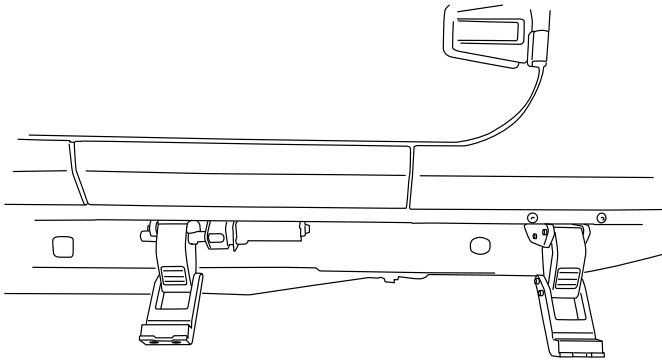
19

Insert plastic push pin rivets in mounting holes of motor cover. Use pliers to ease installation.



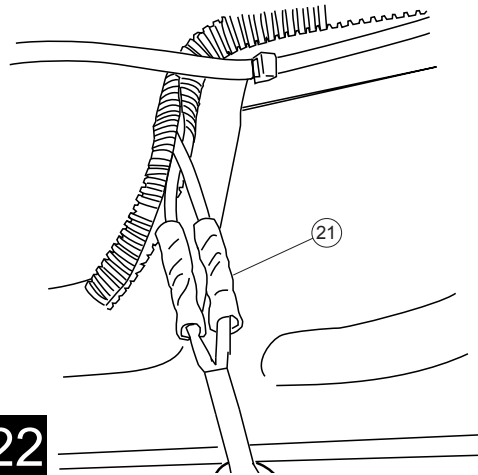
20

On each side of the vehicle install LED Lamps to the rear of both linkages.



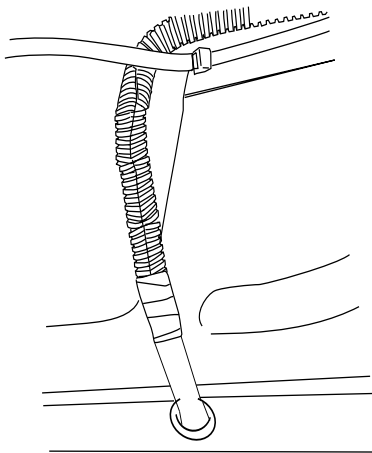
21

Using supplied butt connectors, connect the lamp wires. Red to Red, Black to Black.

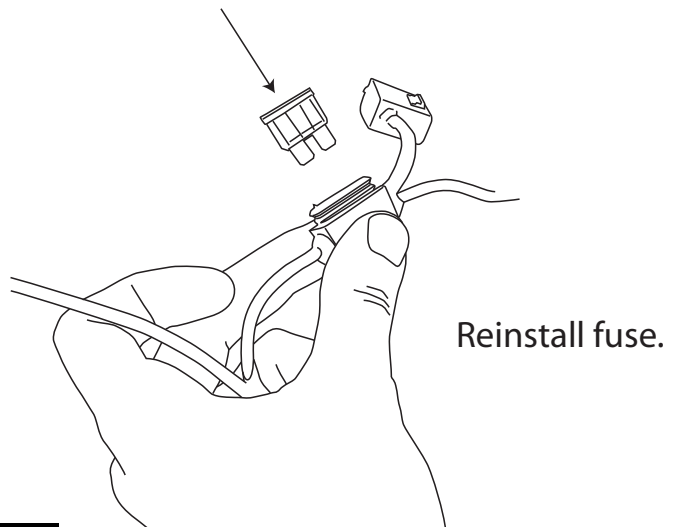


22

Close and wrap with conduit and electrical tape. Secure all loose wires with cable ties, with lamp wires pulled upward to avoid any wire snagging.

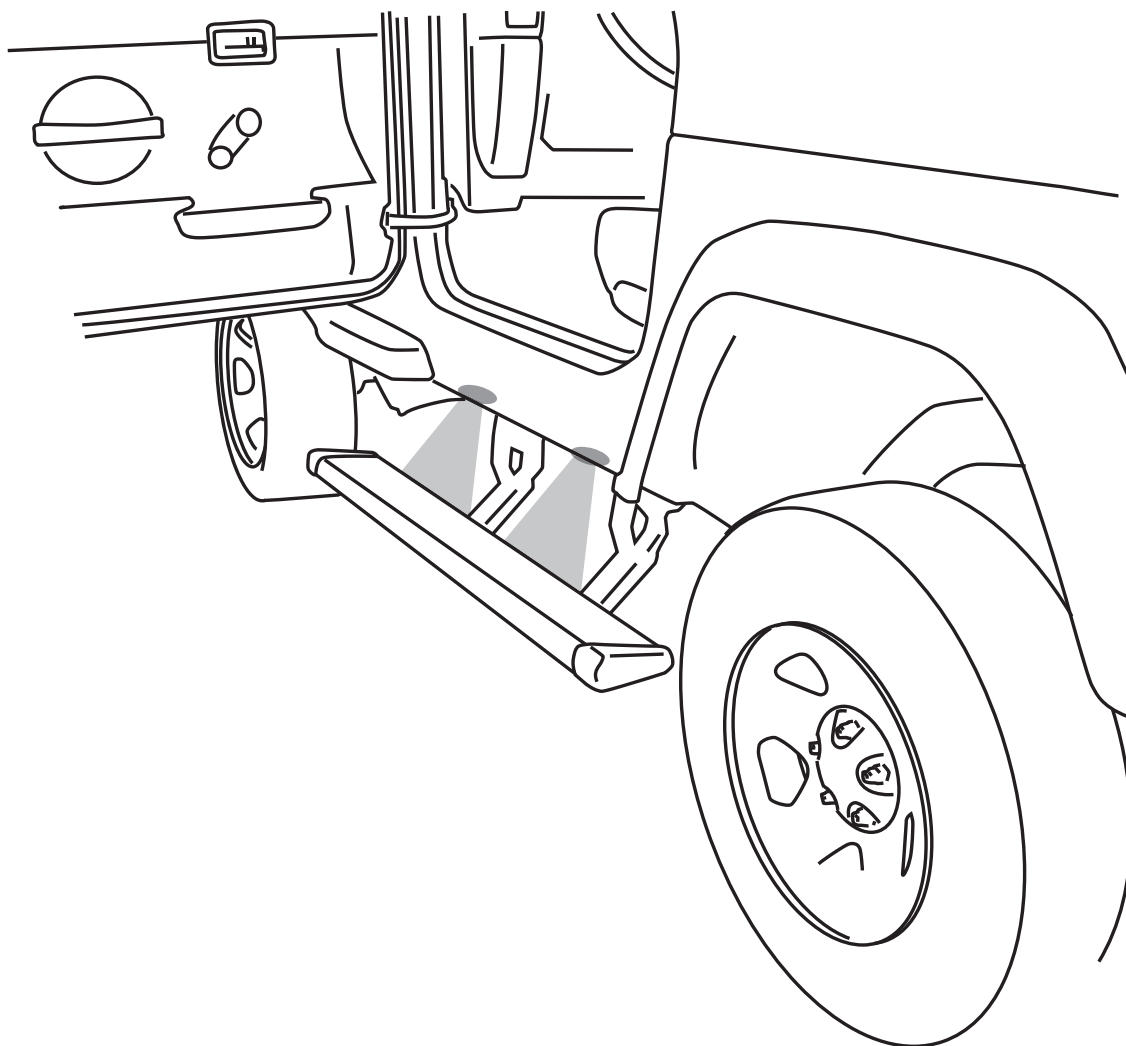


23



24

Check that all doors activate the Power Step and the LED Lights work when doors open and close. Reinstall any remaining trim panels.



FINAL SYSTEM CHECK

Check that all doors activate the PowerStep and the LED lights work when doors open and close.

NORMAL OPERATION: When the doors open, PowerStep automatically deploys from under the vehicle. When the doors are closed, PowerStep will automatically return to the stowed/retracted position. ***Note that there is a 2-second delay before the PowerStep returns to the stowed/retracted position.***

CORRECT OPERATION OF LIGHTS: All four lamps will illuminate upon opening any door of vehicle. Lamps will stay on until restowing of both Power Steps or until 5 minutes has expired with the doors open. When the lights timeout after 5 minutes, they can be reilluminated by closing and opening any door of vehicle.