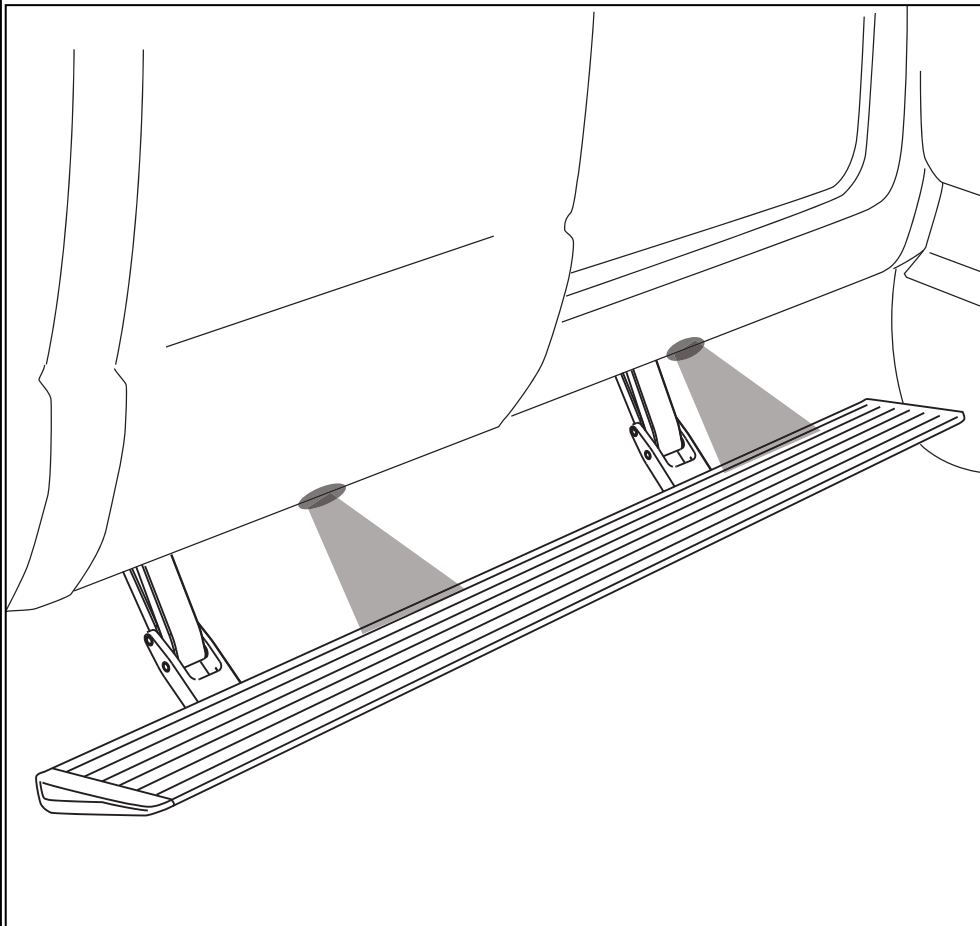


INSTALLATION GUIDE

AMP **Power Step** RESEARCH MADE IN USA

APPLICATION	MODEL YR	AMP PART #
Dodge Ram Quad Cab 1500	2002 - 2008	75101-01A
Dodge Ram Quad Cab 2500/3500	2003 - 2009	75101-01A
Dodge Ram Mega Cab	2006 - 2009	75118-01A



INSTALLATION TIME

3-5 Hours

Professional installation recommended

SKILL LEVEL



4= Experienced

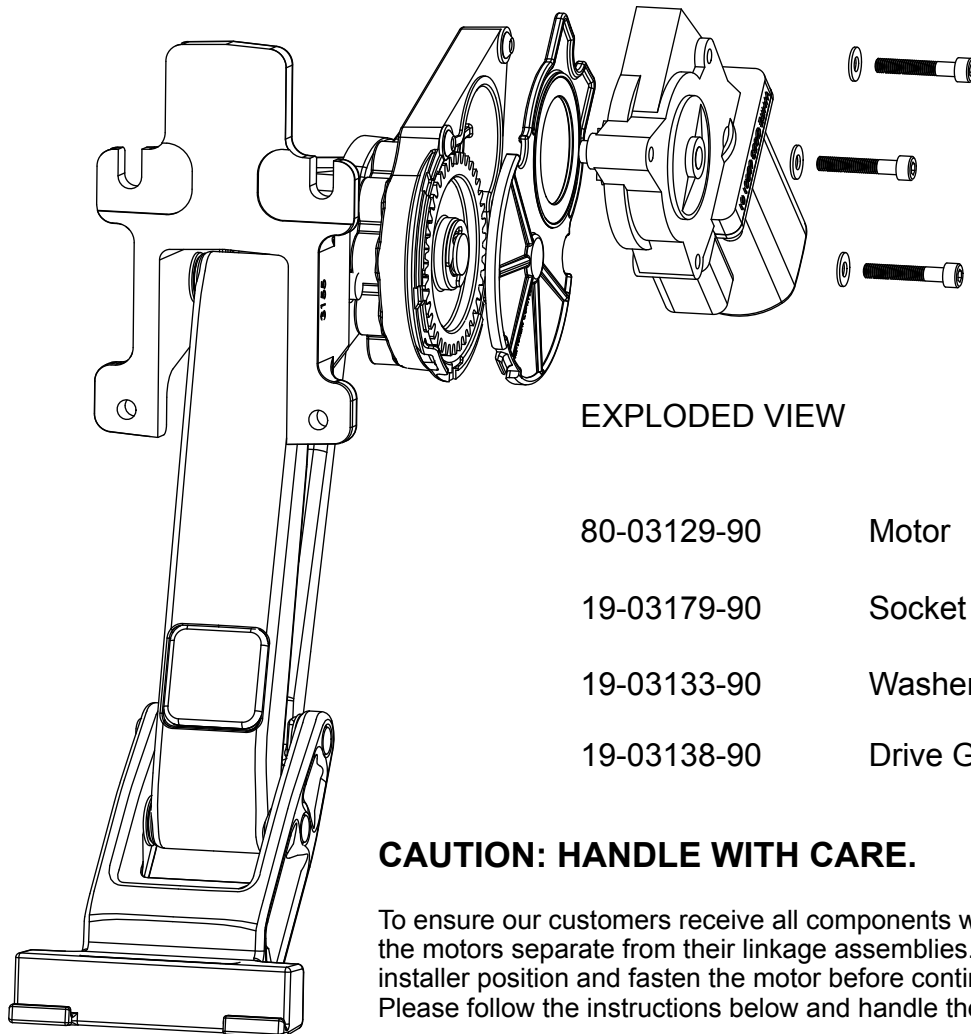
TOOLS REQUIRED

- Safety goggles
- Measuring tape
- Flat blade screwdriver
- Phillips head screwdriver
- Right angle drill
- 1/8" drill bit
- 13 mm socket
- Ratchet wrench and extension
- Soldering iron
- Wire crimpers
- Wire stripper / cutter
- Corrosion inhibitor
- 3/16" hex key wrench (allen wrench)
- 1/8" hex key wrench (allen wrench)
- 4 mm hex key wrench (allen wrench)
- Pop rivet tool
- Electrical tape

INSTALLATION GUIDE

Attaching motor to linkage assembly

The motors need to be installed before continuing with the rest of the Power Step install.



EXPLODED VIEW

80-03129-90	Motor
19-03179-90	Socket cap screw
19-03133-90	Washer
19-03138-90	Drive Gear Housing Cover

CAUTION: HANDLE WITH CARE.

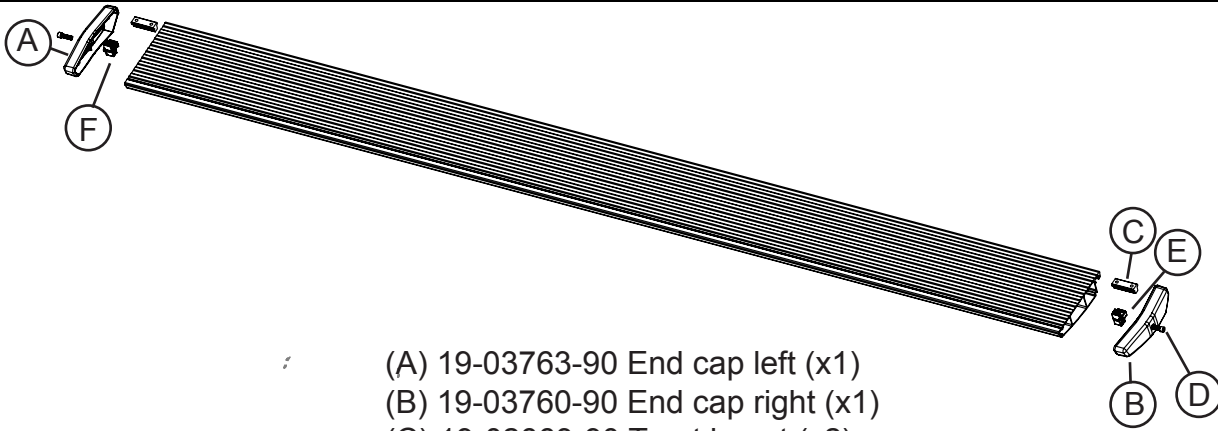
To ensure our customers receive all components with full integrity, we pack the motors separate from their linkage assemblies. This requires that the installer position and fasten the motor before continuing with the install. Please follow the instructions below and handle the assembly carefully.

CAUTION: Dropping the assembly or any excessive impact MAY cause damage to the motor.

Instructions:

1. Position the gear cover in place as shown if not already in place.
2. Seat motor into position on the three mounting bosses. This may require an adjustment of the gear by moving the swing arms.
3. After seating into place, fasten the motor with the three motor mount screws with 4mm Hex Head. Tighten screws to 36 in-lbs (4N-m). **Do not over torque.**

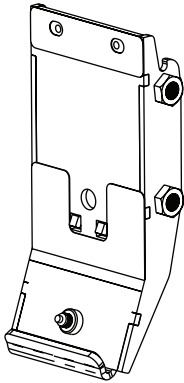
AMP RESEARCH POWERSTEP™ – DODGE RAM



- (A) 19-03763-90 End cap left (x1)
- (B) 19-03760-90 End cap right (x1)
- (C) 19-02663-90 T-nut insert (x2)
- (D) 19-02802-90 Socket cap screw (x2)
- (E) 19-03761-90 End cap wedge right (x1)
- (F) 19-03764-90 End cap wedge left (x1)

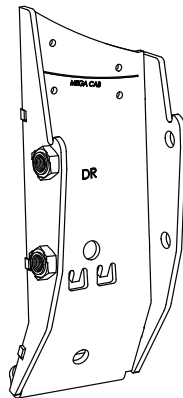
1 x2

Running board assembly



2 x2

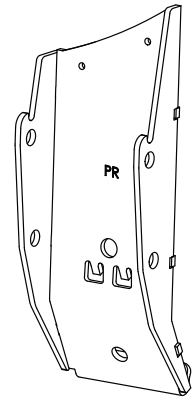
10-02819-10
Front Bracket



DRIVER REAR BRACKET

3

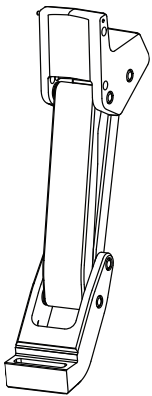
10-02820-10 (Quad Cab)
10-02820-11 (Mega Cab)
Driver Rear Bracket



PASSENGER REAR BRACKET

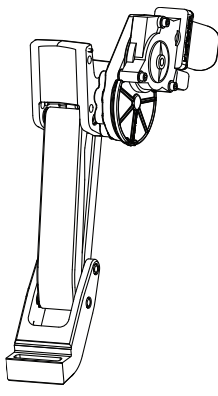
4

10-02821-10
Passenger Rear Bracket



5 x2

10-02815-16
Idler Linkage



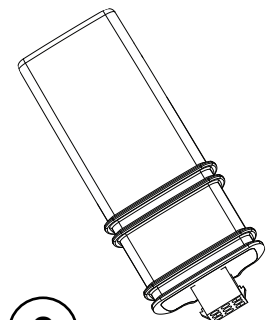
6 x2

10-02814-16
Motor Linkage



7

19-02774-91L
Wire Harness

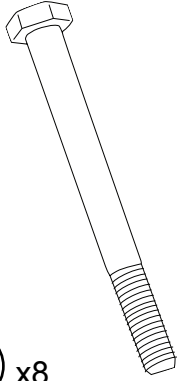


8

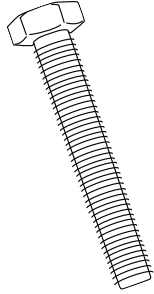
19-03297-A06
Controller

AMP RESEARCH POWERSTEP™ – DODGE RAM

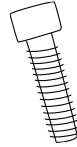
PARTS LIST AND
HARDWARE
IDENTIFICATION



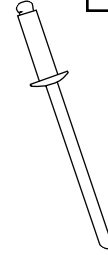
9 x8
19-02781-90
Hex Bolt



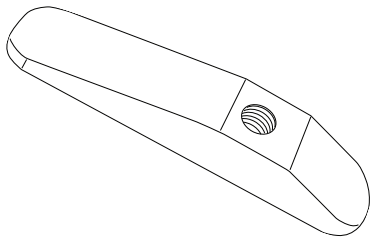
10 x4
19-02782-90
Hex Bolt



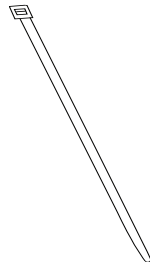
11 x8
19-02802-90
Socket Cap Screw



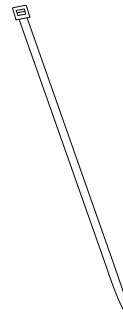
12 x8
19-02784-90
Blind Rivet



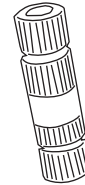
13 x4
19-02777-90
Mounting Insert



14 x25
19-02805-90
Cable tie (7")

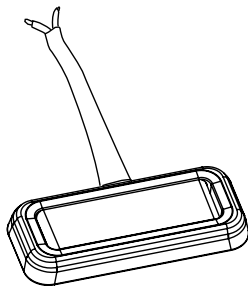


15 x2
19-03339-90
Cable tie (11")

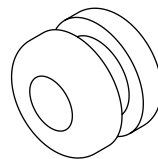


16 x4
19-03354-90
Posi-Taps™ (Red/Grey)

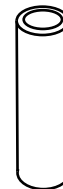
17
19-03354-90
Damper Bracket Kit
(Only needed for 1500 Quad Cab)



18 x4
19-03302-90
LED Lamp

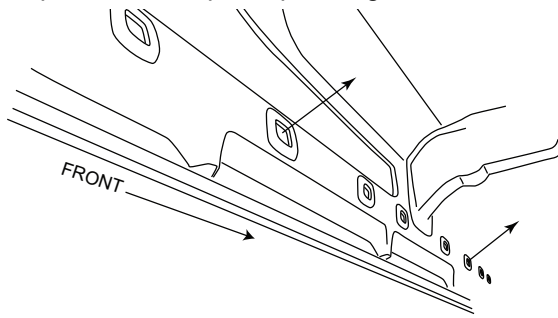


19 x4
19-02640-90
Grommet



20 x8
19-02989-90
Butt Connector

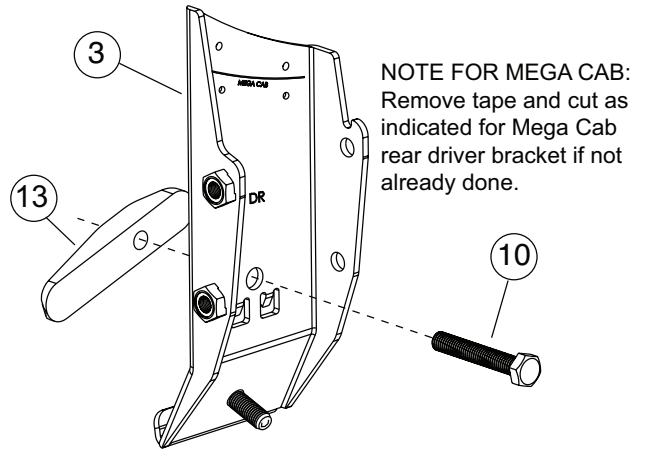
Note: Steps 1-8 shown on driver side.
Repeat these steps on passenger side.



Counting large oval sill holes from the front, remove covering (plug or tape) from the below indicated mounting points.

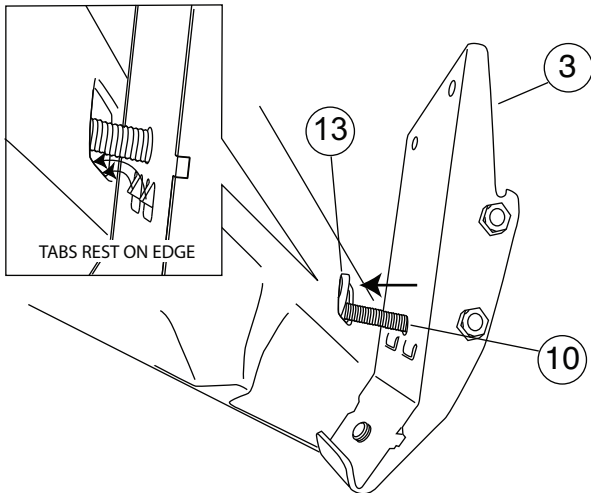
1 QUAD CAB: 3rd and 7th from the front.
MEGA CAB: 3rd and 8th from the front.

Prepare brackets for install



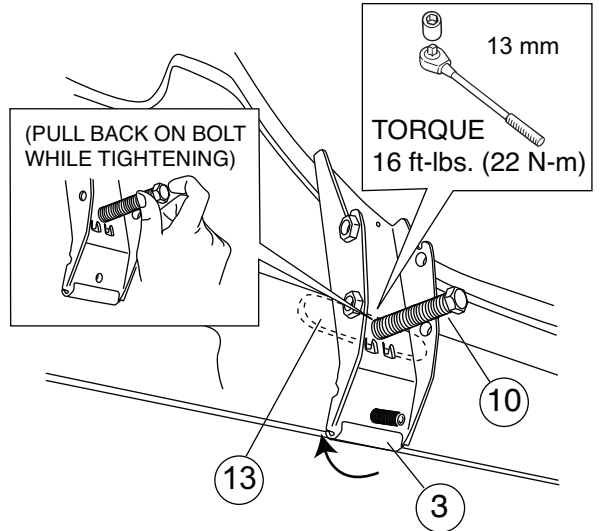
2 DRIVER REAR BRACKET SHOWN

Install rear mounting bracket



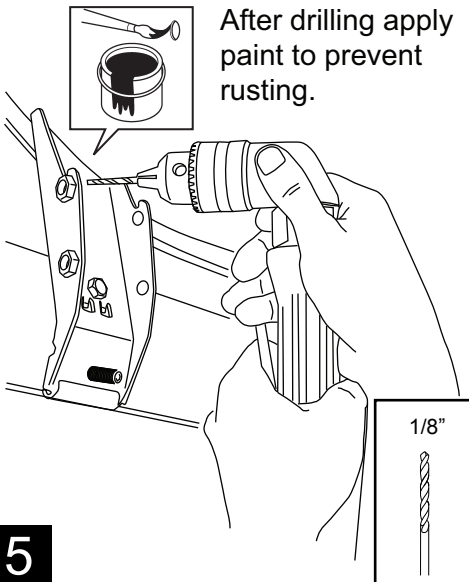
3

Fasten down rear mounting bracket



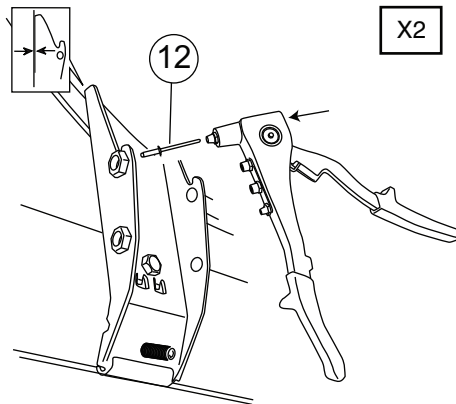
4

After drilling apply paint to prevent rusting.



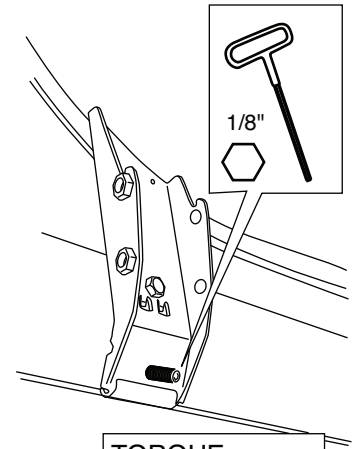
5

Bracket must be flush with the sidewall before riveting.



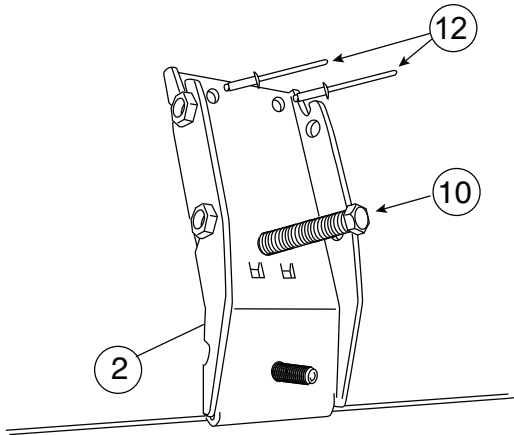
6

TORQUE 1.5 ft-lbs. (2 N-m)



7

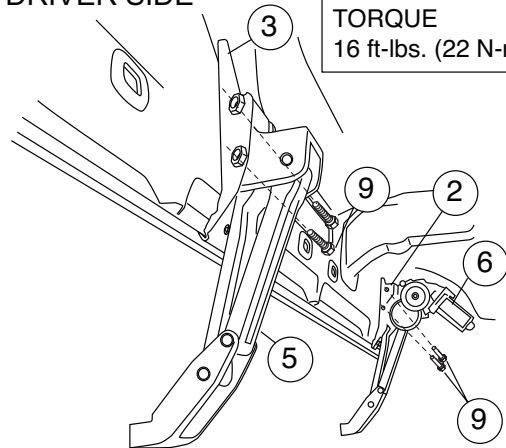
Repeat steps 2 thru 6 for front mounting bracket.



8

DRIVER SIDE

TORQUE
16 ft-lbs. (22 N-m)

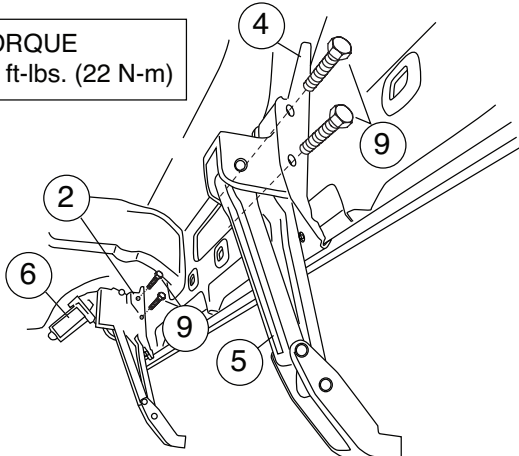


CAUTION: Swing in idler arm can cause pinch point.

9

Install rear mounting bracket

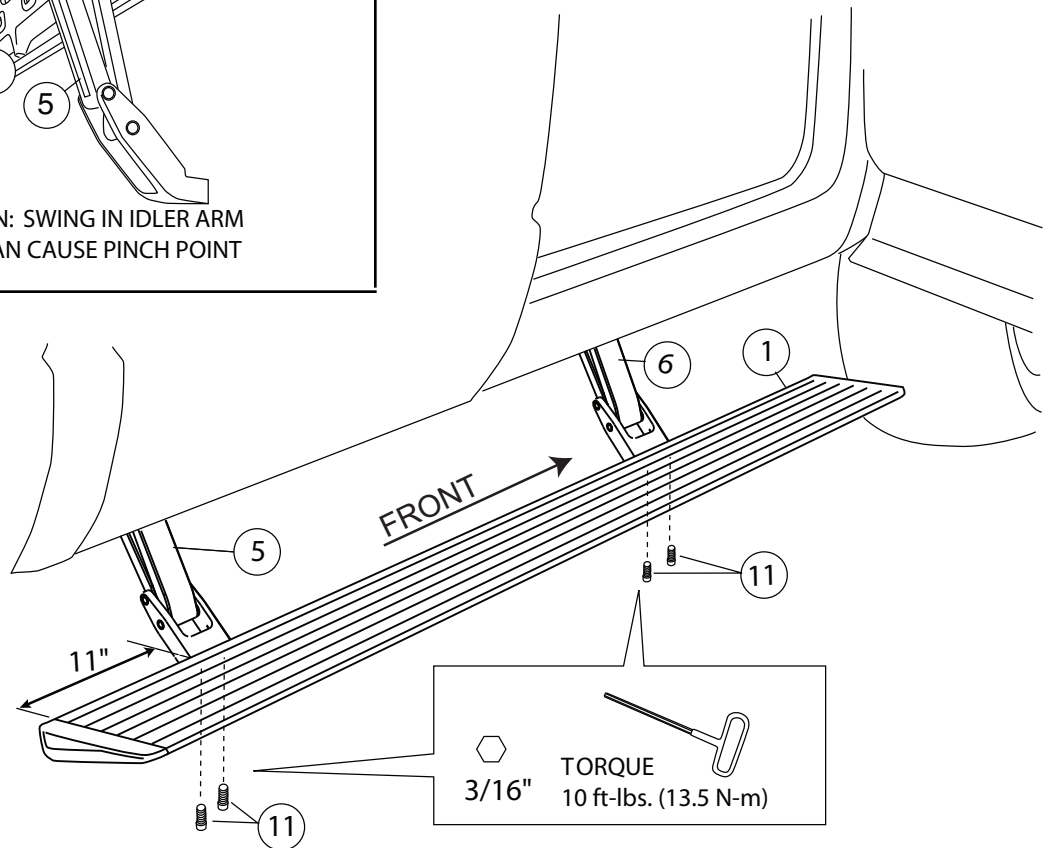
TORQUE
16 ft-lbs. (22 N-m)



CAUTION: SWING IN IDLER ARM CAN CAUSE PINCH POINT

10

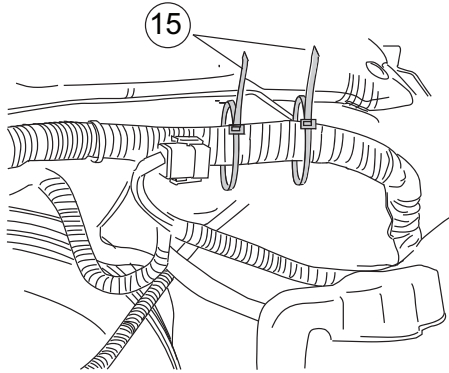
Mount step extrusion to linkage assemblies. Fasten loosely to allow for adjustments.



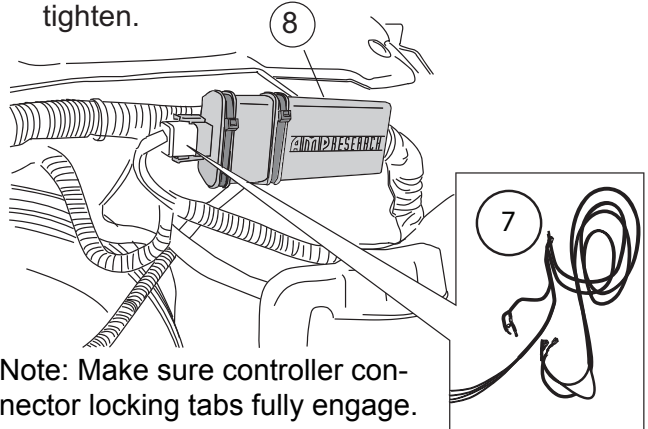
3/16" TORQUE
10 ft-lbs. (13.5 N-m)

11

Attach 11" cable ties loosely around harness.



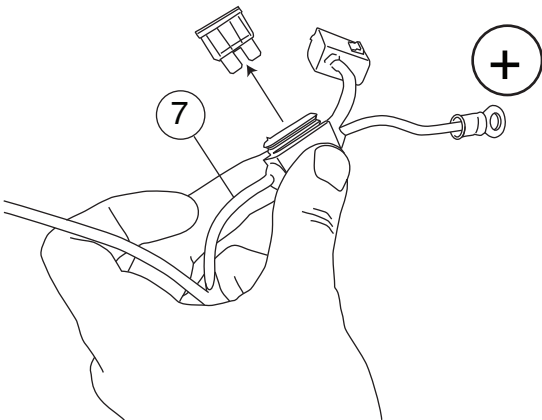
Attach wire harness to the control box. Slide controller through cable ties. Line up cable ties with grooves in controller and tighten.



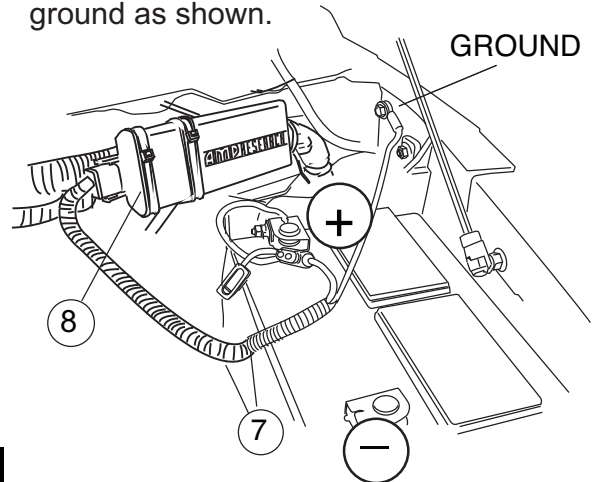
Note: Make sure controller connector locking tabs fully engage.

12

Remove fuse from Power Step wire harness.



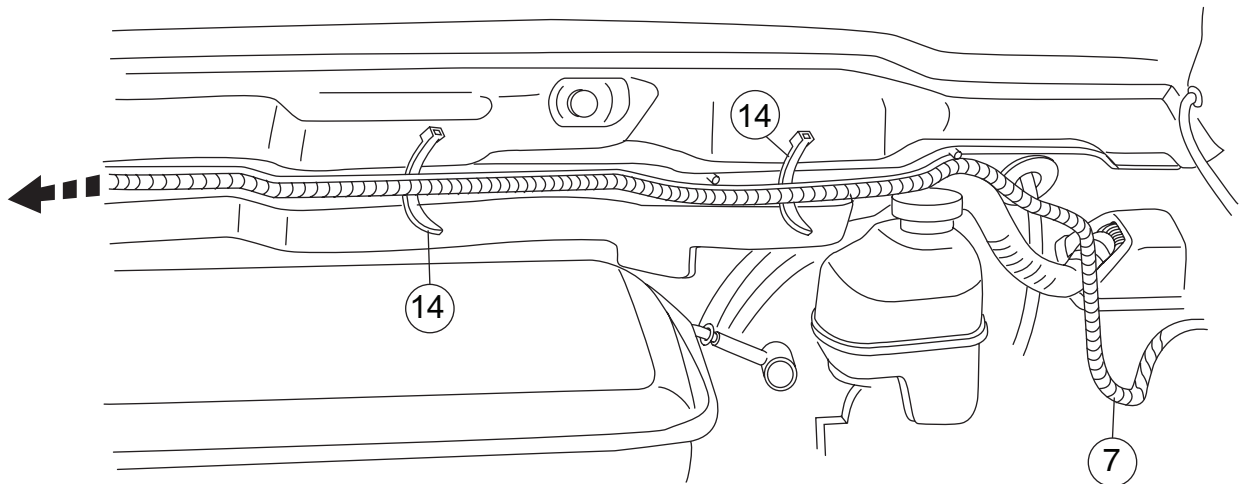
Attach power leads, red lead to positive battery terminal and the black lead to body ground as shown.



13

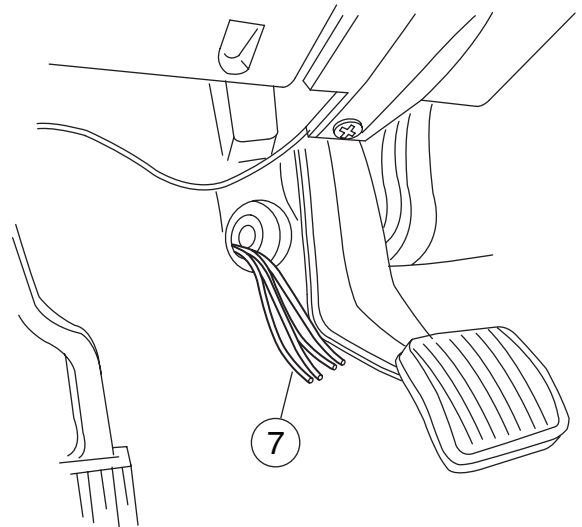
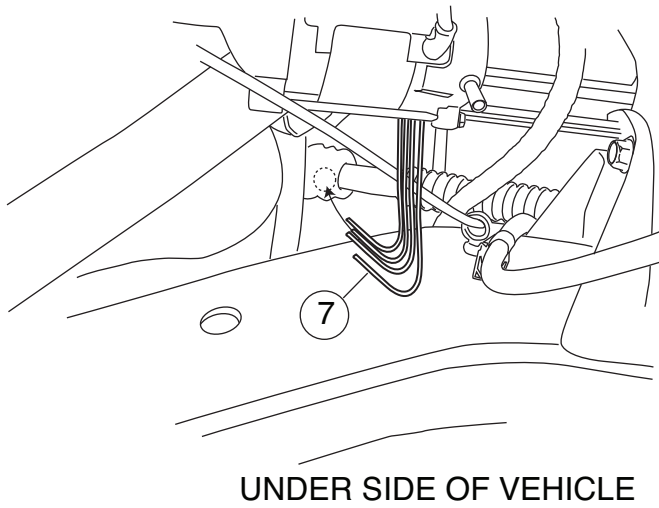
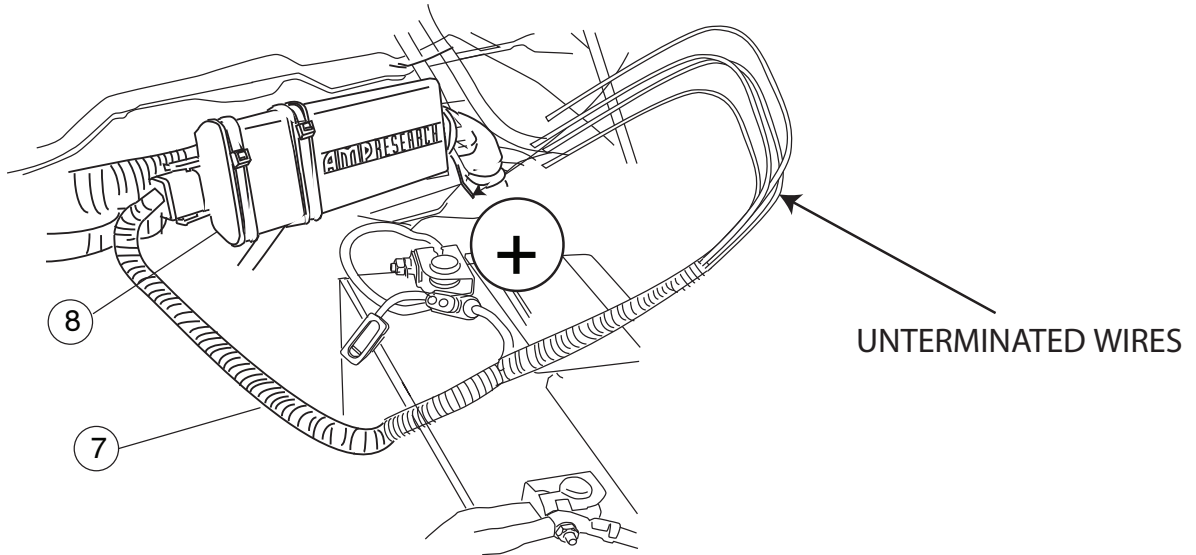
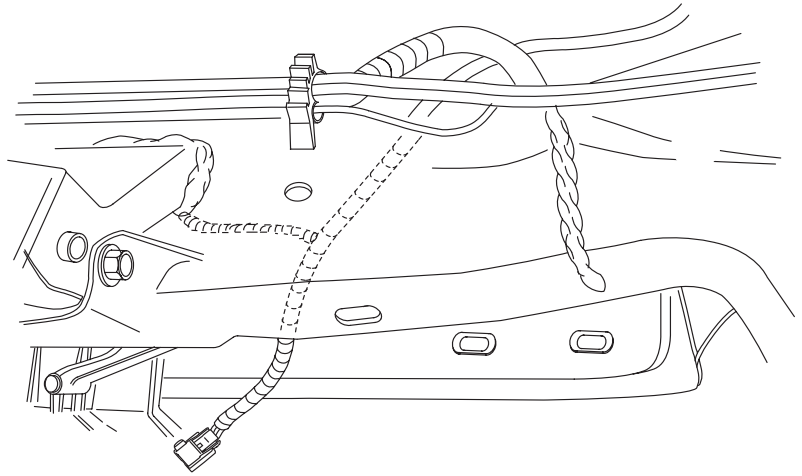
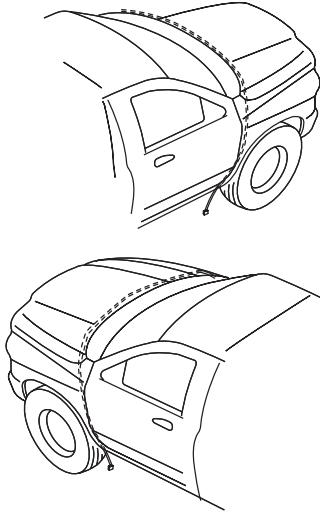
14

Route long leg of wire harness to passenger side across fire wall. Secure with tie wraps.

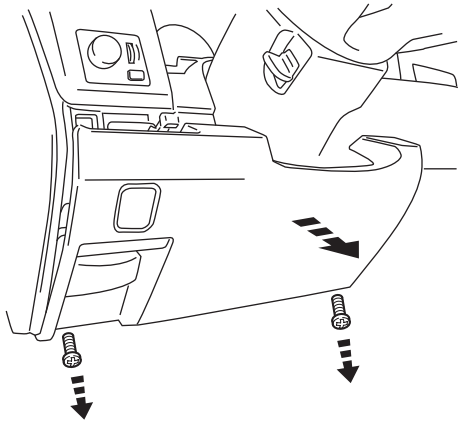


15

AMP RESEARCH POWERSTEP™ – DODGE RAM

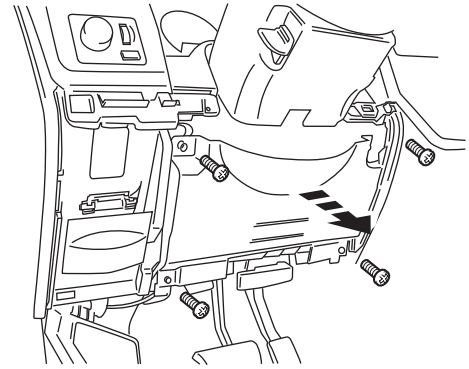


Remove plastic panel beneath steering column.



21

Remove metal panel revealed by step 21. Model years 2002-2005 will not have this panel to remove.

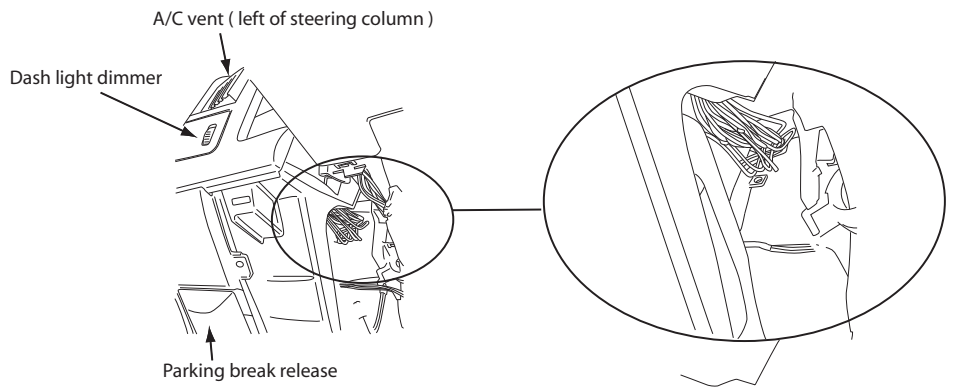


22

For 2006-2009 Models:

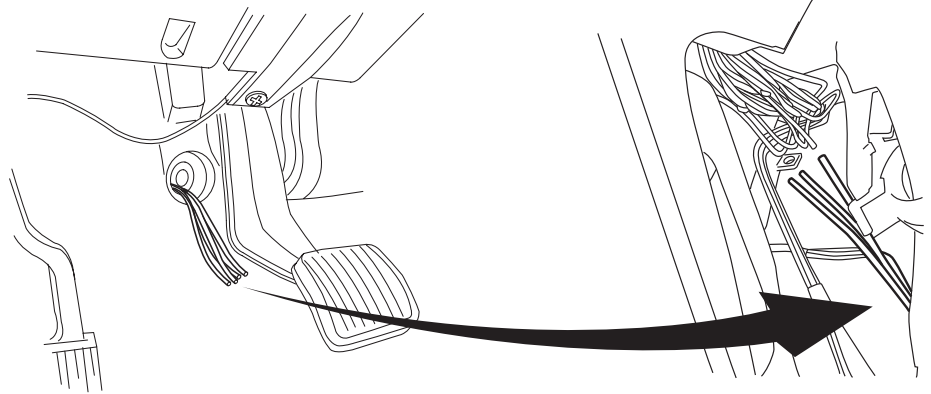
Locate bundle of wires high and to the left of diecast steering column mount.

Note: Bundle of wires leads toward back of fuel gauge and is located directly above bundle of wires grounded to left panel.



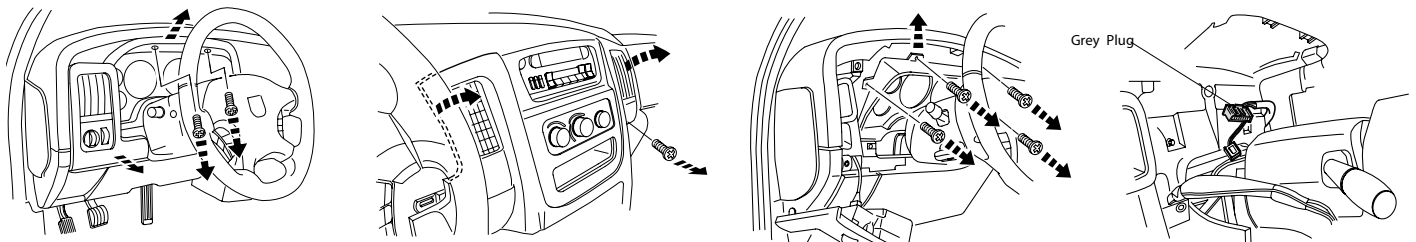
23

Pull wires through and run them up to the wires found in the previous step.



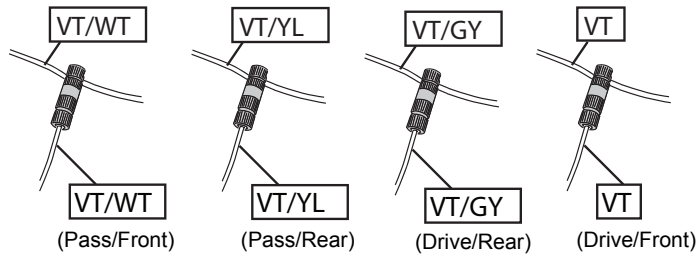
24

For 2002-2005 Models: Remove the cluster and instrument panel to access the grey plug.



25

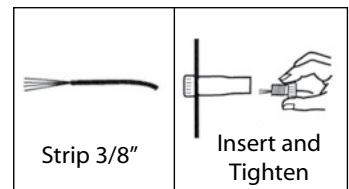
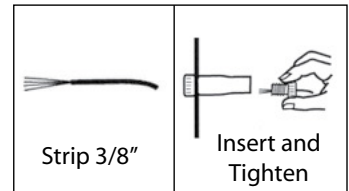
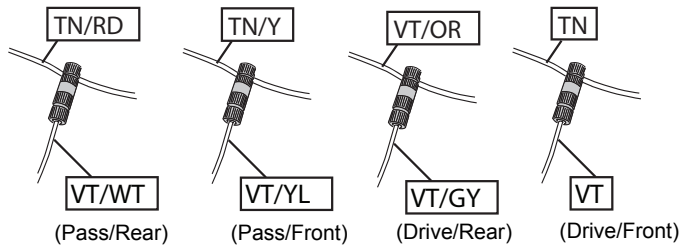
Model Years 2004- 2009 Note: You may find two VL/YL wires in bundle. Only one works correctly.



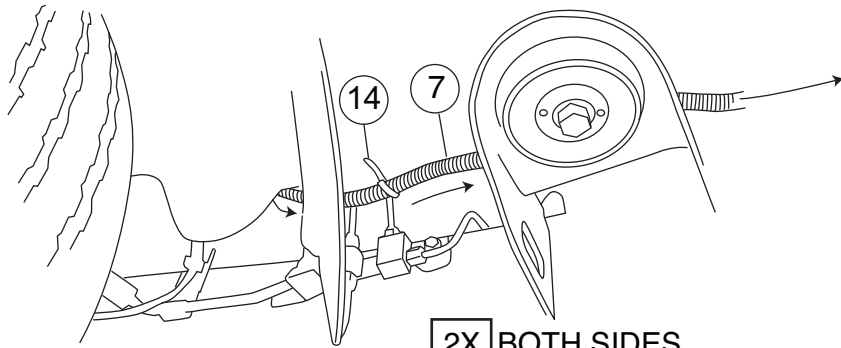
Using supplied Posi-Taps™ splice the Power Step trigger wires into their corresponding door ajar wire. See steps 26 and 27 for wire colors.

26

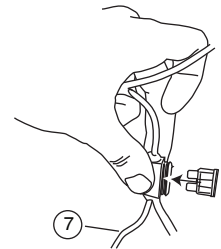
Model Years 2002- 2003



27

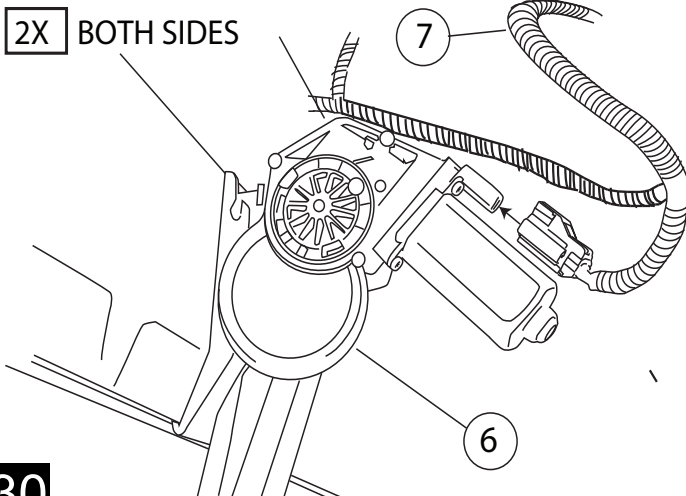


REINSTALL FUSE

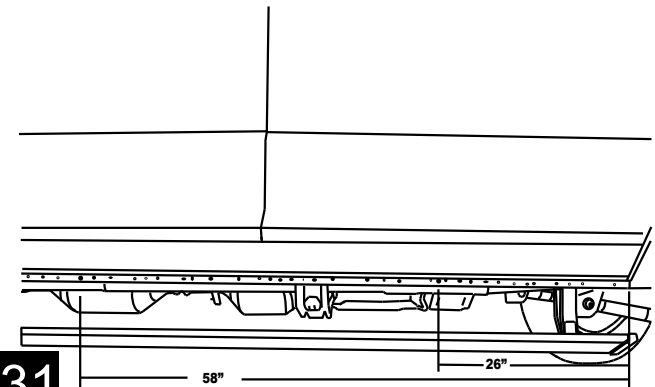


28

29



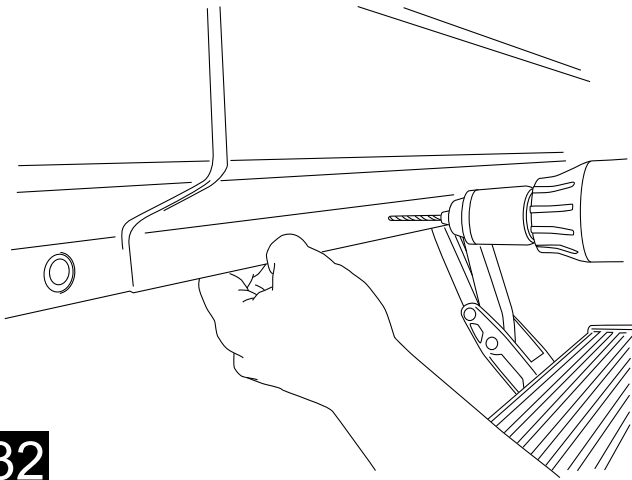
On each side of the vehicle measure from the front edge of door line on the pinch weld to the specified lengths below. Measure at 26" for the front LED Light and 58" for the rear LED Light.



30

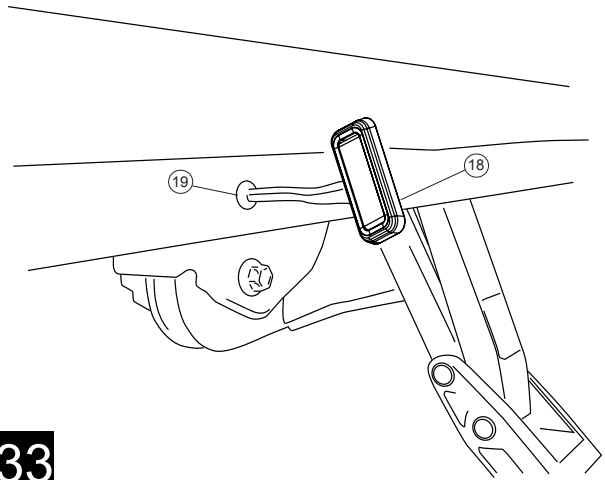
31

Drill a 9/32" hole through the pinch weld at marked locations. Deburr all holes.



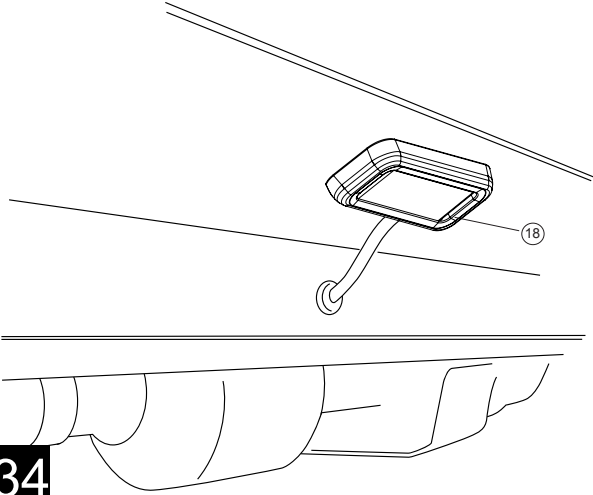
32

Insert grommet into drilled holes. Insert lamp wires through the grommets.



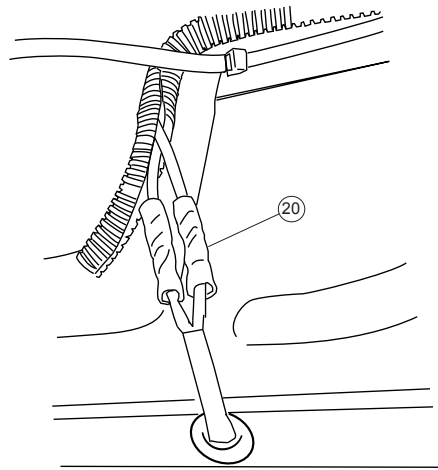
33

Affix lamp to rocker panel surface. Make sure lamp is affixed to a flat, clean surface.



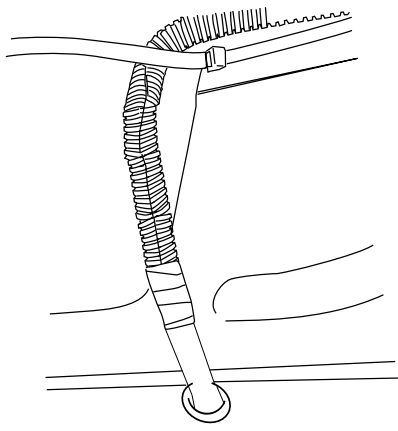
34

Using supplied butt connectors, connect the lamp wires. Red to Red, Black to Black.



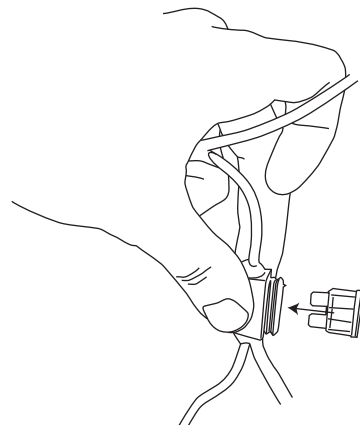
35

Close and wrap with conduit and electrical tape. Secure all loose wires with cable ties, with lamp wires pulled upward to avoid any wire snagging.



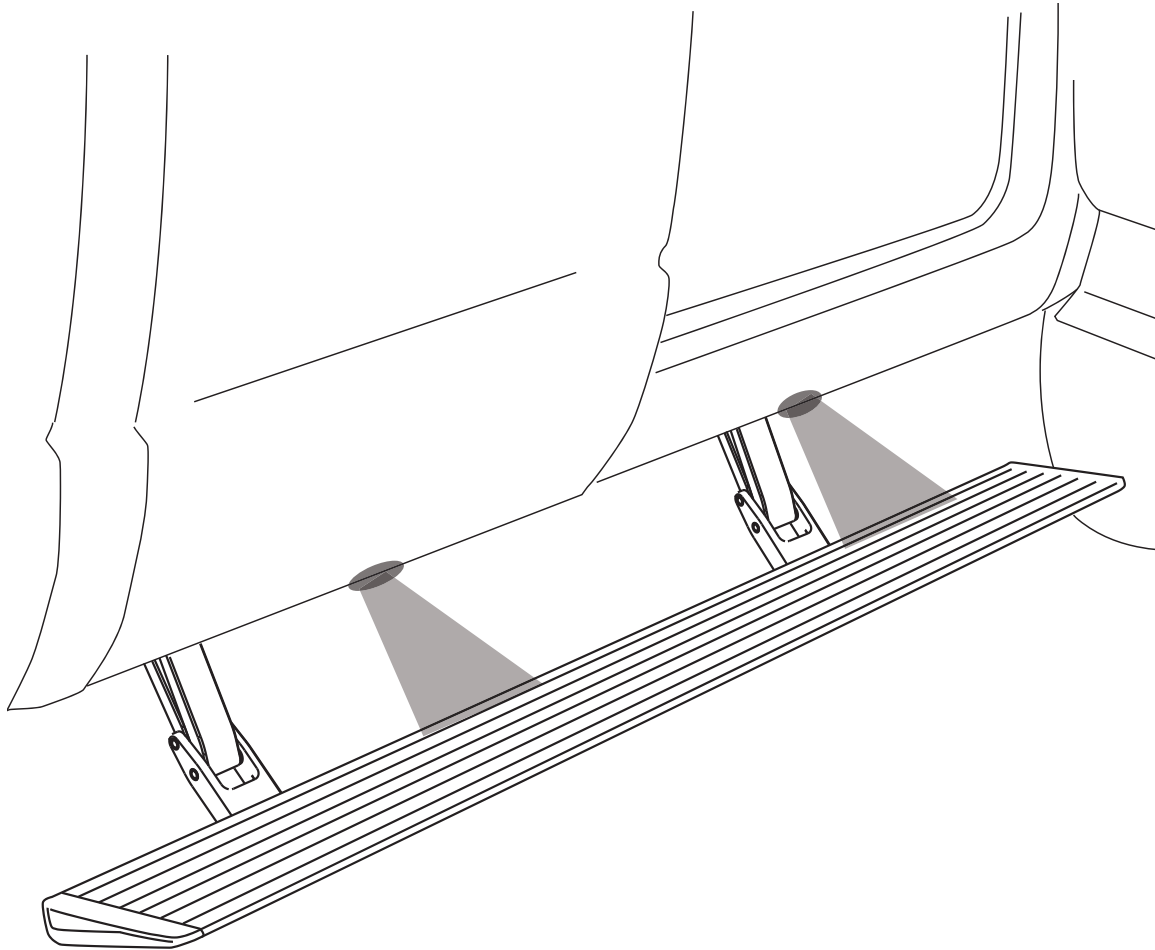
36

Reinstall fuse.



37

Check that all doors activate the Power Step and the LED Lights work when doors open and close. Reinstall any remaining trim panels.



FINAL SYSTEM CHECK

Check that all doors activate the PowerStep and the LED lights work when doors open and close.

NORMAL OPERATION: When the doors open, PowerStep automatically deploys from under the vehicle. When the doors are closed, PowerStep will automatically return to the stowed/retracted position. **Note that there is a 2-second delay before the PowerStep returns to the stowed/retracted position.**

CORRECT OPERATION OF LIGHTS: All four lamps will illuminate upon opening any door of vehicle. Lamps will stay on until restowing of both Power Steps or until 5 minutes has expired with the doors open. When the lights timeout after 5 minutes, they can be reilluminated by closing and opening any door of vehicle.